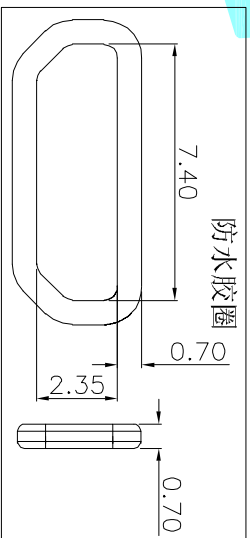
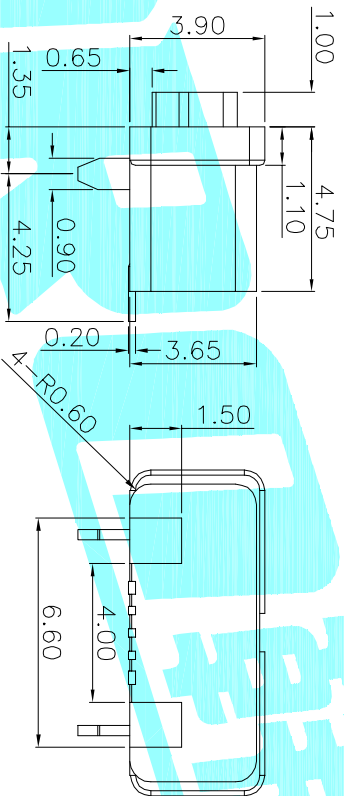
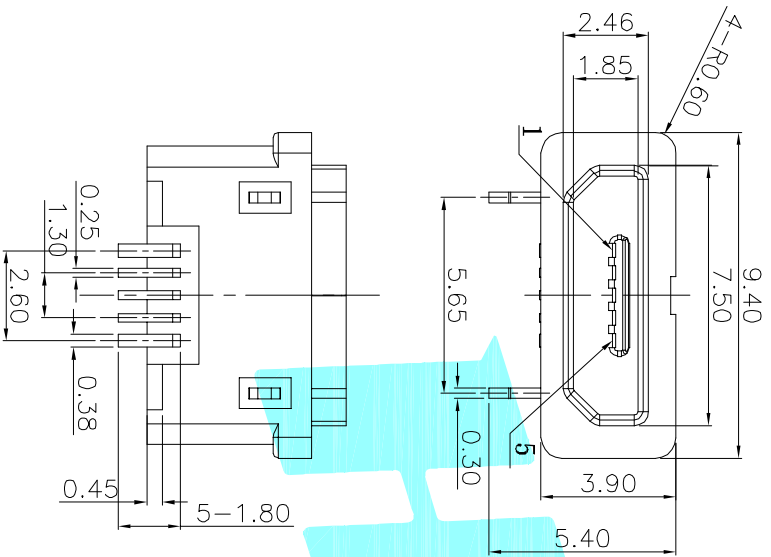


P.C.B LAYOUT

- Specifications
1. Rating : AC\DC 30V 1.0A
 2. Dielectric withstanding: 250V(AC) for 1min
 3. Contact Resistance : 30mΩMox
 4. Insulation Resistance: 500MΩ Min
 5. Operating Temperature Range: -20°C+85°C
 6. Operating Life: 5,000Cycles
 7. IP Rating: IPX6



PART NO.	
U-E-M5DW-W-1	U-E-M5DW-W-2
1.00	1.50

Contact Number	Signal Name	Remarks
1	VBUS	Power
2	D-	Date-
3	D+	Date+
4	ID	Reserve or Gound
5	GND	Gound

ITEM	PART NAME	TER'NO.	QTY.	MATERIAL	FINISHING	REMARK
③	Shell	---	1	SUS	Ni Plated	---
②	Contact	---	5	Phosphor Bronze	Au/Ni Plated	---
①	Housing	---	1	Nylon	Black	---



ELECTRONICS CO.,LTD

TITLE: USB CONNECTOR

DRAWN	JKUN.LU	DATE	2015/5/29
CHECKED			
APPROVALS			

APPROVALS			
TOLERANCES ARE	30~12.5 ±0.30	ANGLE	
	10~30 ±0.25	UNIT:	mm
	5~10 ±0.20	SCALE:	1:1
	~5 ±0.15	DRAWING NO.	

ECN NO.	REV.	DATE.	DESCRIPTION.
	A		NEW

CHANGE.	CHECK.	APPRO.

PART NO.	U-E-M5DW-W-□
PROJ.	
SHEET	1 OF 1