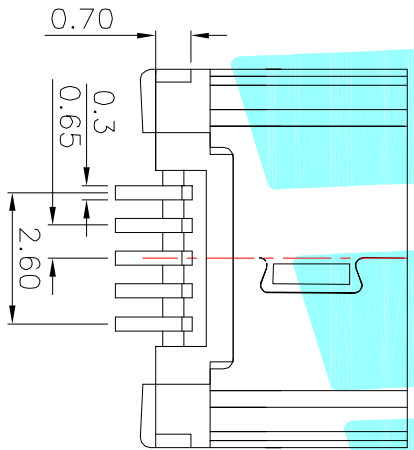


Recommended PCB Layout

SPECIFICATIONS

- 1.RATING: DC30V 1.0A
- 2.MECHANICAL LIFE: 10,000 CYCLES.
- 3.PACKAGING: 1000PCS/REEL



③	Shell	—	1	Phosphor Bronze	Ag Plated	—
②	Contact	—	5	Phosphor Bronze	Au Plated	—
①	Housing	—	1	LCP	Black	—
ITEM	PART NAME	TER'NO.	QTY.	MATERIAL	FINISHING	REMARK
APPROVALS		DATE				
DRAWN JKUN.LU		2014/9/29				

TITLE: USB CONNECTOR
 ELECTRONICS CO.,LTD

ECN NO.	REV.	DATE.	DESCRIPTION.	CHANGE.	CHECK.	APPRO.
	A		NEW			
TOLERANCES ARE		30~12.5 ±	±0.30	ANGLE		PROJ.
		10~30	±0.25			
		5~10	±0.20			
		~5	±0.15	±2'	DRAWING NO.	SHEET 1 OF 1