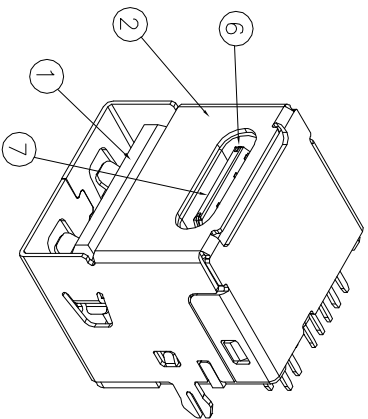
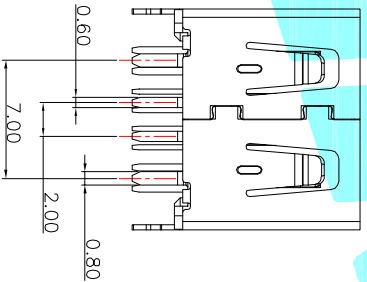
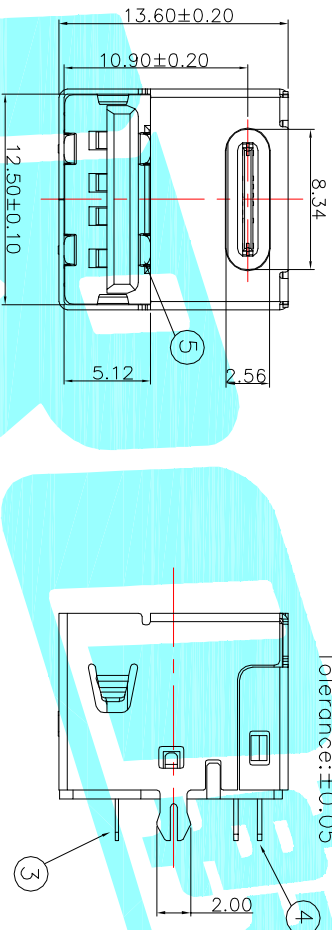
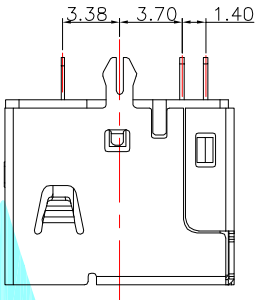


Recommended P.C.B Layout  
Tolerance: ±0.05



1. CURRENT RATING:  
a:TYPE-C: 8.0A MAX  
b:USB2.0: 5.0A MAX
2. Withstanding Voltage: 100V AC
3. TEMPERATURE RANGE: -30 °C ~ 85 °C
4. CONTACT RESISTANCE: 40 MILLIONHM MAX
5. INSULATION RESISTANCE: 100 MEGOHMS
6. INSERTION FORCE : 5N~20N
7. UNMATING FORCE: 8N~20N (1~1000X)  
6N~20N (10000X(2F))
8. DURABILITY: 10,000 CYCLES

NO.	DESCRIPTION	MATERIAL	COLOR	REMARK
1	HOUSING	HIGH TEMP	BLACK	UL 94V-0
2	SHELL	SEE NOTE	---	Ni Plated
3	USB TERMINAL	COPPER ALLOY	---	Gold Plated
4	CLIP	SEE NOTE	---	Ni Plated
5	TYPE C TERMINAL	COPPER ALLOY	---	Gold Plated
6	CENTER PIECE	STAINLESS STEEL	---	NO Plated
7	TYPE C MD	HIGH TEMP	BLACK	UL 94V-0

APPROVALS		DATE	TITLE:	
DRAWN	JKN,LU	2017.11.27	USB CONNECTOR	
CHECKED			ELECTRONICS CO.,LTD	
APPROVALS				

ECN NO.	REV.	DATE.	DESCRIPTION.	CHANGE.	CHECK.	APPRO.	TOLERANCES ARE	ANGLE	UNIT:	SCALE:	DRAWING NO.	SHEET
	A		NEW				30~12.1 ±0.30	±27	mm	1:1		1 OF 1
							10~30 ±0.25					
							5~10 ±0.20					
							~5 ±0.15					