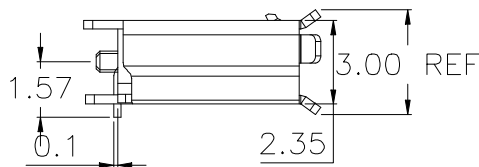
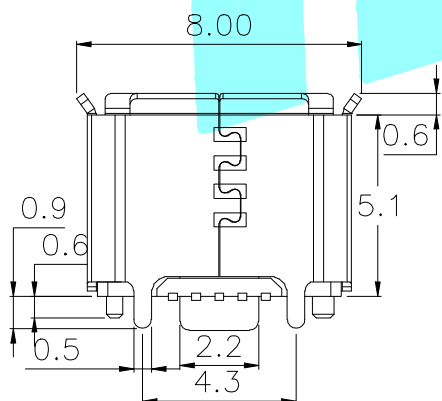
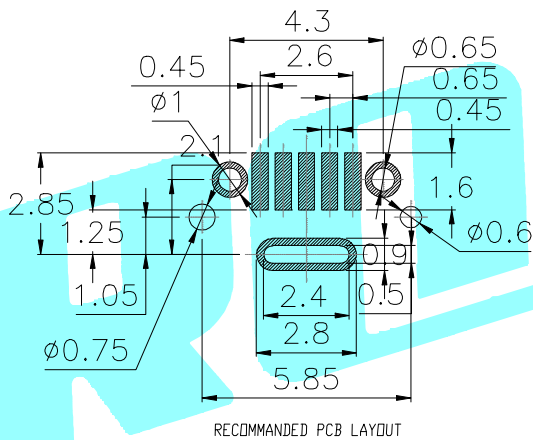
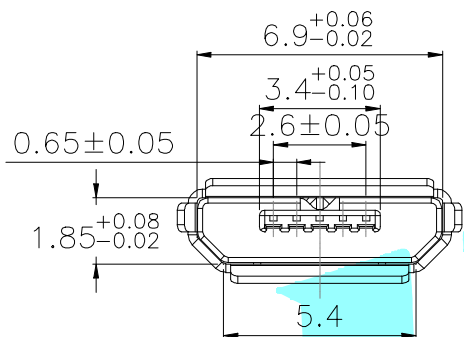
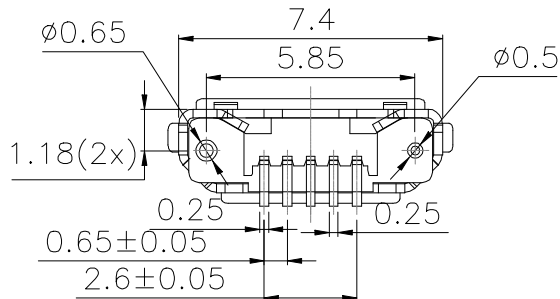
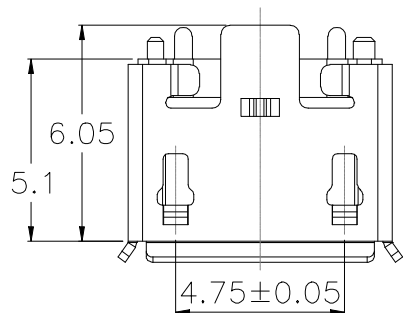



ROHS



NOTES:

- 1.Specifications
- 1-1.INSERT FORCE:35N MAX.
- 1-2.WITHDRAW FORCE:10N MIN.INITIAL
8-20N AFTER
- 1-3.Current rating:1.0A
- 1-4.Voltage Rating:30V
- 1-5.Life Test:10000 CYCLES MIN.
- 1-6.:Dielectric withstanding:voltage100V AC
MIN.
- 1-7.Contact resistance:30mΩ
MAX.INITIAL;40mΩ MAX AFTER
- 1-8.Insulation resistance:100MΩ MIN
- 1-9.Temperature range:-30°TO +80°

APPROVALS		DATE	 ELECTRONICS CO.,LTD					
DRAWN	D.J.LV	2018/1/12						
CHECKED			TITLE:	MICRO 5P F 立式180度 SMT 贴板有边高针±5.1MM				
APPROVALS			PART NO.	U-D-M5DS-Y-3				
TOLERANCES ARE	30~50L	±0.30	ANGLE	UNIT: mm	SCALE: 1:1			
	10~30	±0.20						
	5~10 ~ 5	±0.15 ±0.10						
ECN NO.	REV.	DATE.	DESCRIPTION.	CHANGE.	CHECK.	APPRO.	DRAWING NO.	SHEET 1 OF 1