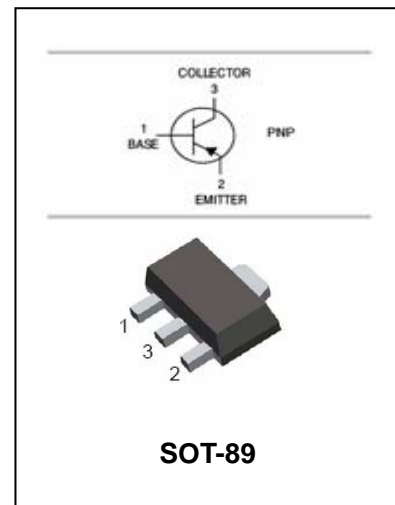


PLASTIC-ENCAPSULATE TRANSISTORS

PXT8550

FEATURES

- Complimentray to PXT8050



ORDERING INFORMATION

Type No.	Marking	Package Code
PXT8550	8550	SOT-89

MAXIMUM RATING @ Ta=25°C unless otherwise specified

Symbol	Parameter	Value	Unit
V _{CBO}	Collector-Base Voltage	-40	V
V _{CEO}	Collector-Emitter Voltage	-25	V
V _{EBO}	Emitter-Base Voltage	-5	V
I _C	Collector Current -Continuous	-1.5	A
P _C	Collector Power dissipation	0.5	W
T _J	Junction Temperature	150	°C
T _{stg}	Storage Temperature	-55 to +150	°C

PLASTIC-ENCAPSULATE TRANSISTORS

PXT8550

ELECTRICAL CHARACTERISTICS @ Ta=25°C unless otherwise specified

Parameter	Symbol	Test conditions	MIN	MAX	UNIT
Collector-base breakdown voltage	$V_{(BR)CBO}$	$I_C=-100\mu A, I_E=0$	-40		V
Collector-emitter breakdown voltage	$V_{(BR)CEO}$	$I_C=-0.1mA, I_B=0$	-25		V
Emitter-base breakdown voltage	$V_{(BR)EBO}$	$I_E=-100\mu A, I_C=0$	-5		V
Collector cut-off current	I_{CBO}	$V_{CB}=-40V, I_E=0$		-0.1	μA
Emitter cut-off current	I_{CEO}	$V_{CE}=-20V, I_E=0$		-0.1	μA
Emitter cut-off current	I_{EBO}	$V_{EB}=-5V, I_C=0$		-0.1	μA
DC current gain	h_{FE}	$V_{CE}=-1V, I_C=-100mA$ $V_{CE}=-1V, I_C=-800mA$	85 40	400	
Collector-emitter saturation voltage	$V_{CE(sat)}$	$I_C=-800mA, I_B=-80mA$		-0.5	V
Base-emitter saturation voltage	$V_{BE(sat)}$	$I_C=-800mA, I_B=-80mA$		-1.2	V
Base-emitter voltage	V_{BE}	$V_{CE}=-1V, I_C=-10mA$		-1	V
Base-emitter positive forward voltage	V_{BEF}	$I_B=-1A$		-1.55	V
Transition frequency	f_T	$V_{CE}=-10V, I_C=-50mA,$	100		MHz
Output Capacitance	C_{ob}	$V_{CB}=-10V, f=1MHz, I_E=0$		15	pF

CLASSIFICATION OF $h_{FE(1)}$

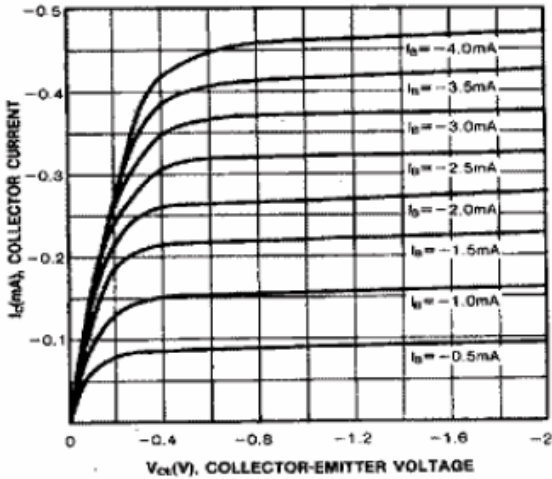
Rank	B	C	D	D3
Range	85-160	120-200	160-300	300-400

PLASTIC-ENCAPSULATE TRANSISTORS

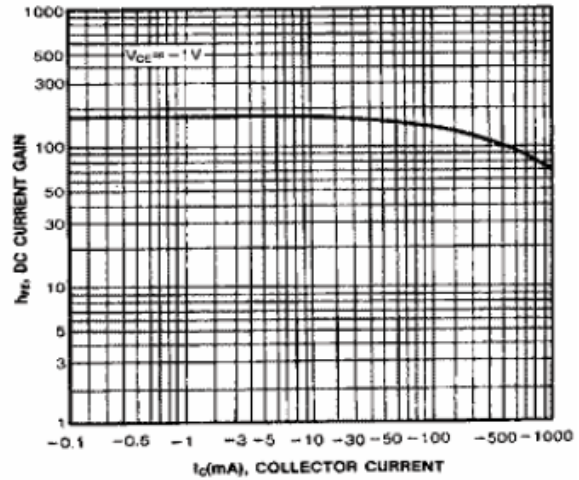
PXT8550

TYPICAL CHARACTERISTICS @ Ta=25°C unless otherwise specified

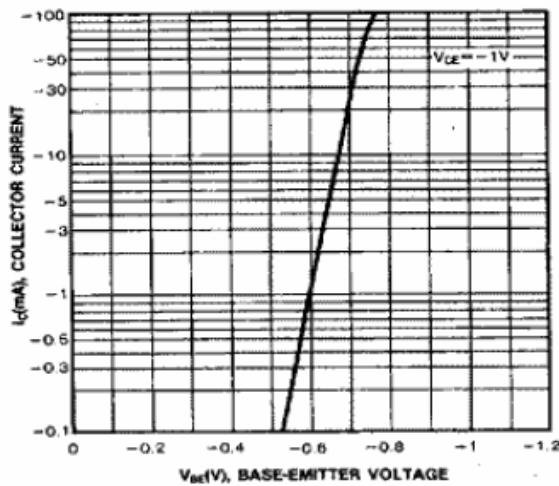
STATIC CHARACTERISTIC



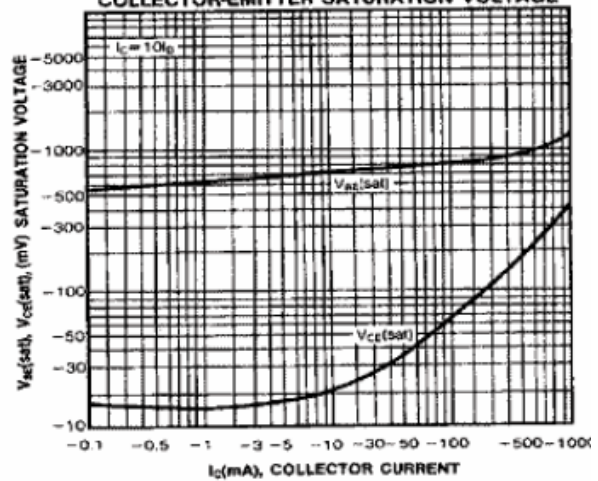
DC CURRENT GAIN



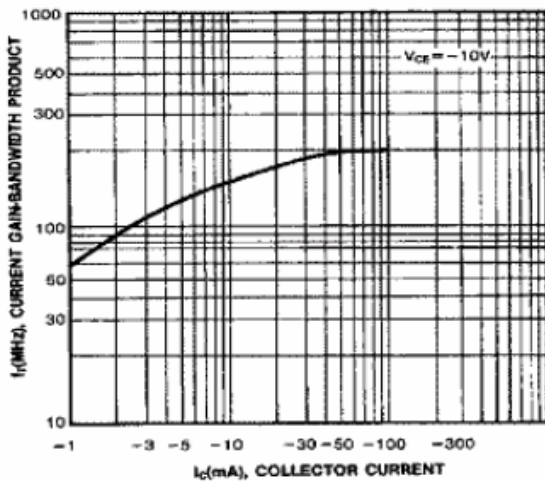
BASE-EMITTER ON VOLTAGE



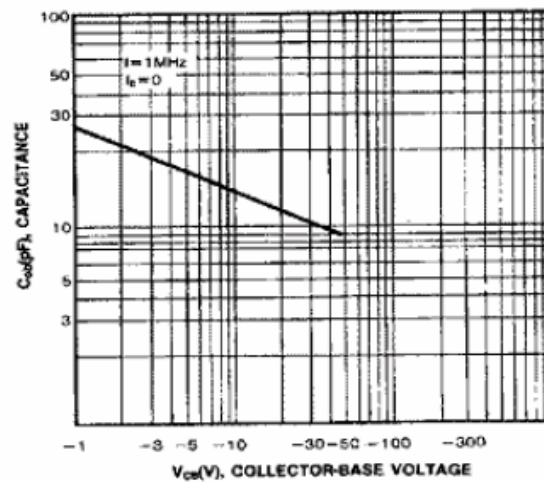
BASE-EMITTER SATURATION VOLTAGE
COLLECTOR-EMITTER SATURATION VOLTAGE



CURRENT GAIN-BANDWIDTH PRODUCT



COLLECTOR OUTPUT CAPACITANCE



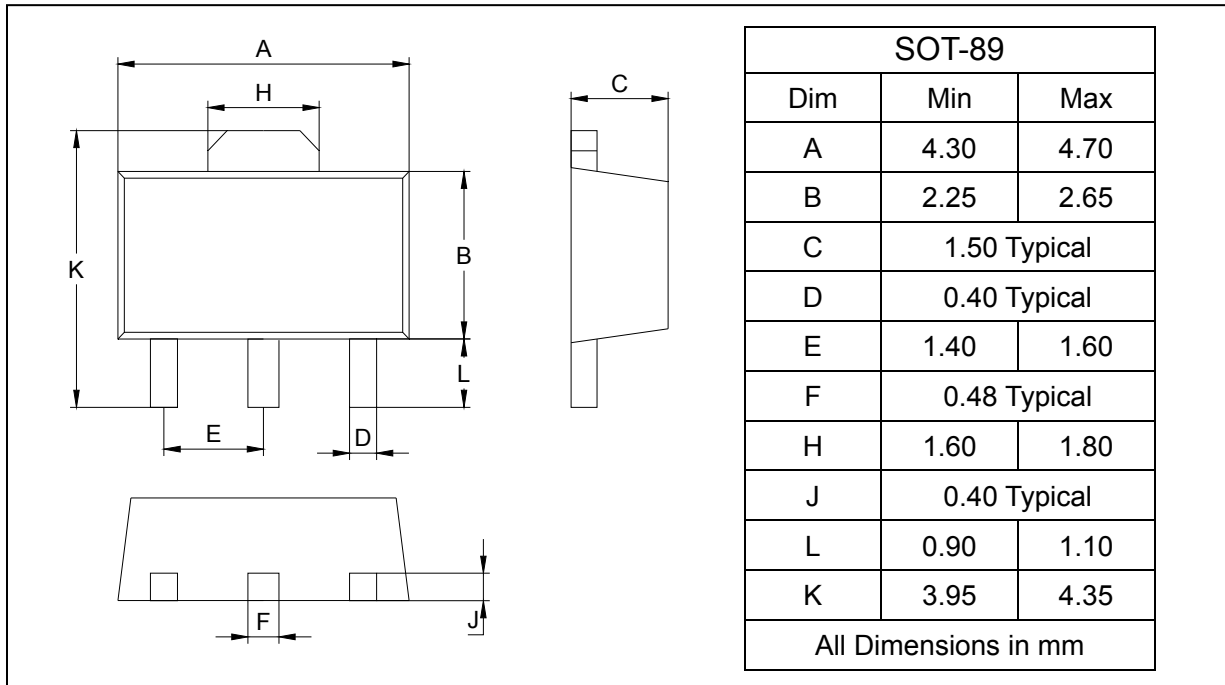
PLASTIC-ENCAPSULATE TRANSISTORS

PXT8550

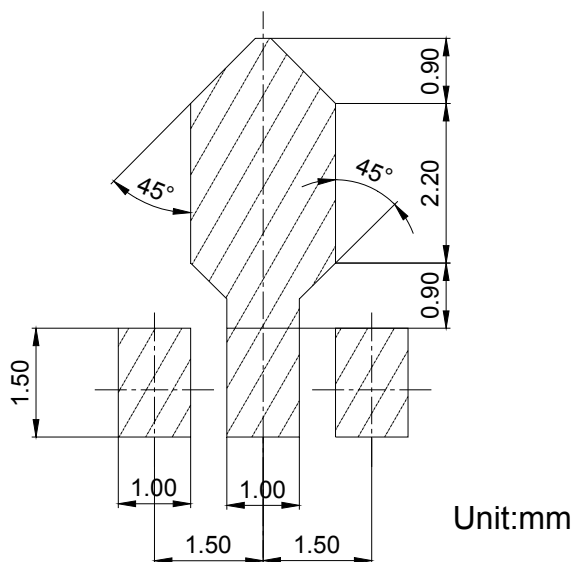
PACKAGE OUTLINE

Plastic surface mounted package

SOT-89



SOLDERING FOOTPRINT



PACKAGE INFORMATION

Device	Package	Shipping
PXT8550	SOT-89	1000/Tape&Reel