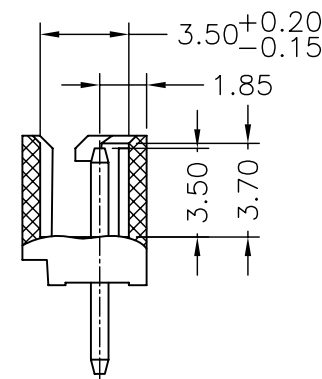
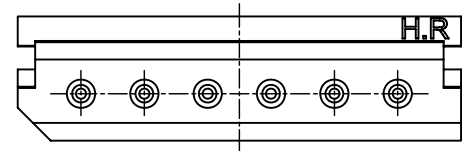


MATED CONDITION



P/N LEGEND

A2506		WV-XP		XXX	
①	②	③	④	⑤	⑥
① Series No.					
② Connector type: WV=Vertical					
③ No. of circuits					
④ Option code:					
Blank=Nylon66-V0, Beige(7506C), Tin-plated					
BE=Nylon66-V0, Beige(7506C), Tin-plated					
BK=Nylon66-V0, Natural(Black), Tin-plated					
6TG=Nylon6T-V0, Natural(Beige), Gold-flash					
NF=Nylon66-V2, NO FLAME, Natural(Beige)					
Tin-plated, IEC 60335-1 rev. 4					
6T=Nylon6T-V0, Natural(Beige), Tin-plated					

SPECIFICATIONS

Current Rating: 3A AC,DC
 Voltage Rating: 250V AC,DC
 Temperature Range: -25°C ~ +85°C
 Contact Resistance: 20mΩ Max
 Insulation Resistance: 1000MΩ Min
 Withstanding Voltage: 1000V AC/minute
 Pin Material: Brass

Circuit No.	Dimensions		
	A	B	C
02P	2.50	7.50	6.12
03P	5.00	10.00	8.62
04P	7.50	12.50	11.12
05P	10.00	15.00	13.62
06P	12.50	17.50	16.12
07P	15.00	20.00	18.62
08P	17.50	22.50	21.12
09P	20.00	25.00	23.62
10P	22.50	27.50	26.12
11P	25.00	30.00	28.62
12P	27.50	32.50	31.12
13P	30.00	35.00	33.62
14P	32.50	37.50	36.12
15P	35.00	40.00	38.62
16P	37.50	42.50	41.12

						燦達電子工業股份有限公司 JOINT TECH ELECTRONIC IND. CO., LTD.	
UNIT		SCALE		SHEET		TITLE:	
mm		1 : 1		1 of 1		2.50mm PITCH 180° WAFER	
DRAWN BY		APPROVED BY					
董正一		董正一					
2001.02.01		2001.02.01					
GENERAL TOLERANCE				ANGLE±		DRAW NO. : A2506WV-XP	
B5		EN1502130004		2015.03.09			
B4		EN1408180001		2014.08.15			
B3		EN1104060085		2011.04.06			
REV.		DESCRIPTION		DATE		NAME	