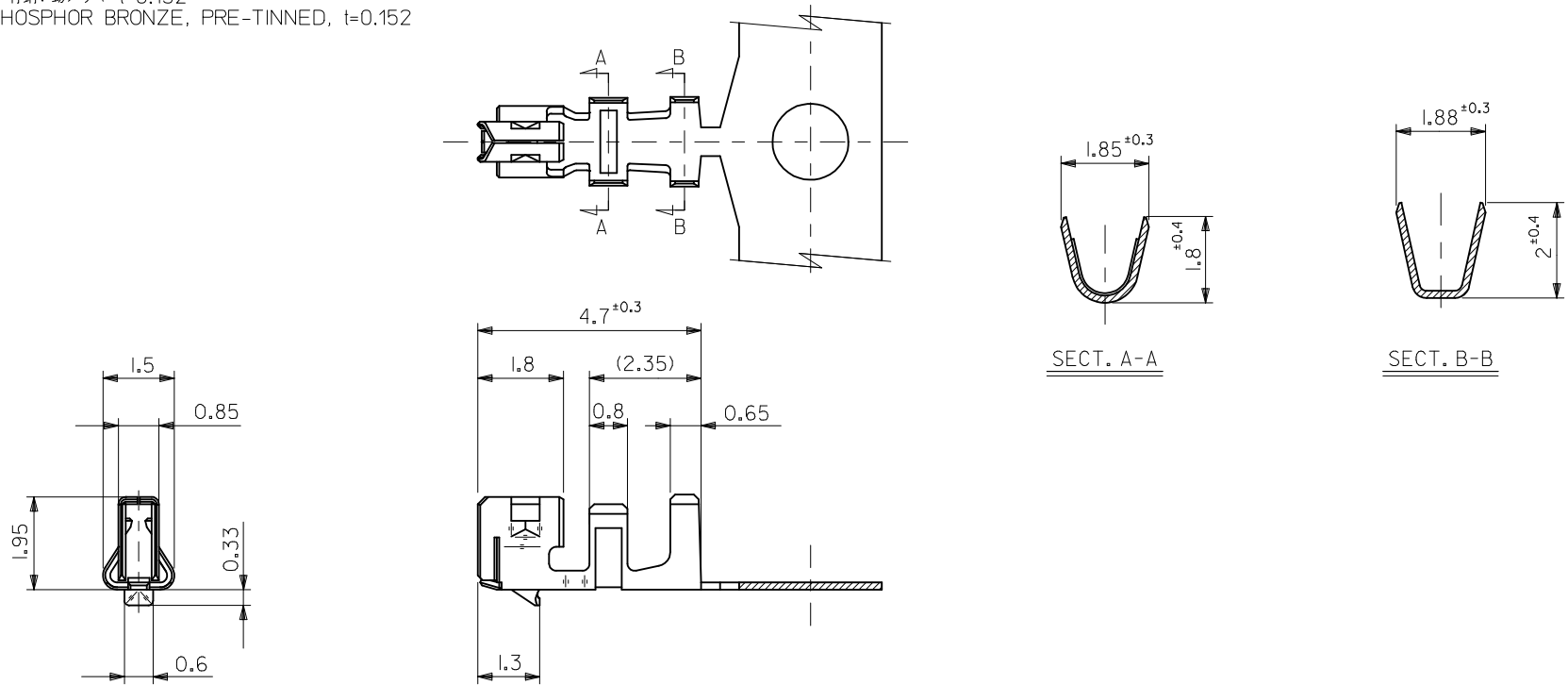


注記
NOTES

適用ハウジング: 51089, 51090, 51065 シリーズ
 APPLICABLE HOUSING: 51089, 51090, 51065 SERIES

材質 MATERIAL
 リン青銅、錫メッキ t=0.152
 PHOSPHOR BRONZE, PRE-TINNED, t=0.152



50372-8100	バラ状 LOOSE
50372-8000	連鎖状 CHAIN
ENG.NO.	端子形状 FORM

RELEASED EC NO: J2014-0578 DRWN: YWAKE 2013/09/27 CHKD: KASAKAWA 2013/09/27 APPR: NUKITA 2013/10/02	GENERAL TOLERANCES (UNLESS SPECIFIED)		DIMENSION STYLE	SCALE	DESIGN UNITS	THIRD ANGLE PROJECTION NEW 2.0 W/B CONN. CRIMP RECEPTACLE molex DOCUMENT NO. SD-50372-001 SHEET NO. 1 OF 1
	10 UNDER ± 0.2		MM ONLY	10:1	METRIC	
	10 OVER 30 UNDER ± 0.25		DRAWN BY	DATE	TITLE	
	30 OVER ± 3		YWAKE	2013/09/27		
A	ANGULAR ± 3 °		CHECKED BY	DATE		
	DRAFT WHERE APPLICABLE MUST REMAIN WITHIN DIMENSIONS		KASAKAWA	2013/09/27		
			APPROVED BY	DATE		
			NUKITA	2013/10/02		
			MATERIAL NO.	DATE		
			SEE CHART			
			SIZE			
			A3			
			THIS DRAWING CONTAINS INFORMATION THAT IS PROPRIETARY TO MOLEX INCORPORATED AND SHOULD NOT BE USED WITHOUT WRITTEN PERMISSION			

DWG. NO.
SD-50372-8*00

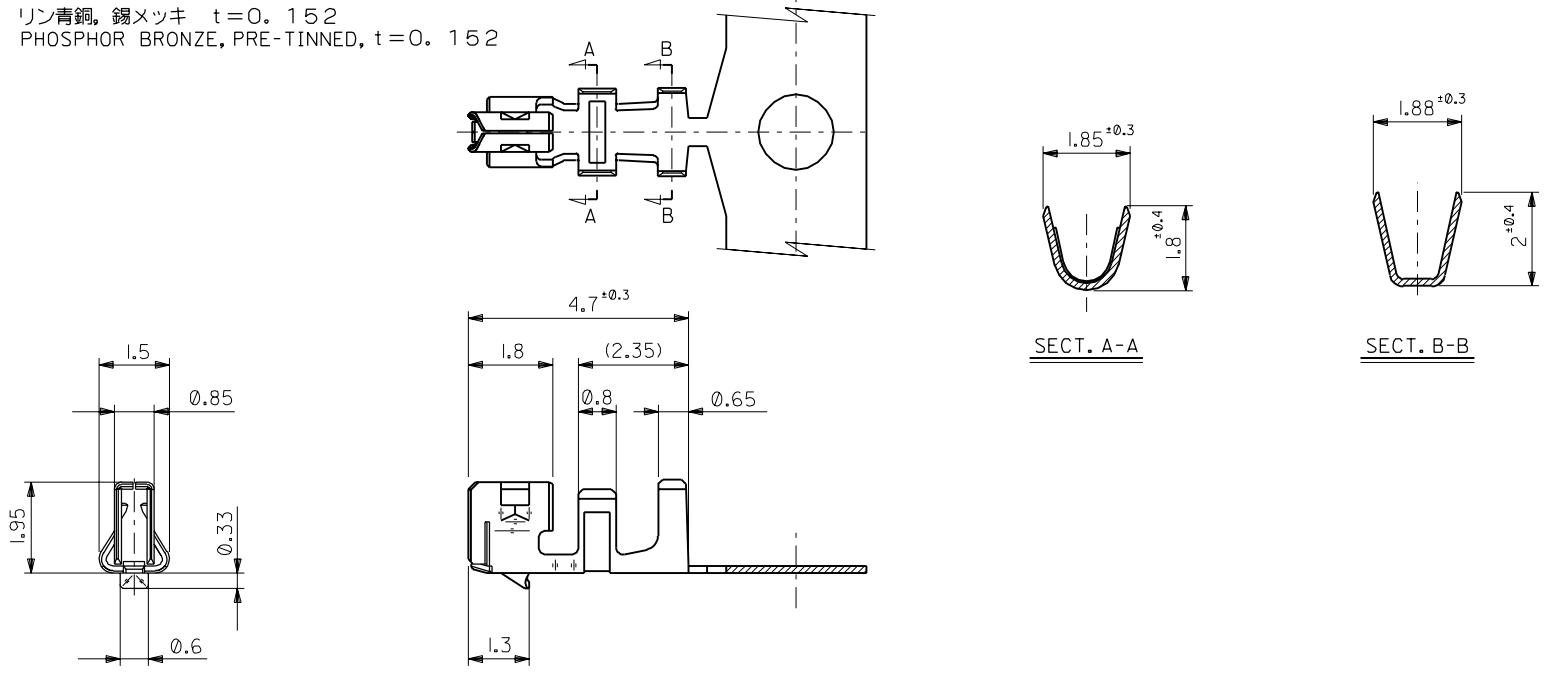
MM DIMENSIONS IN METRIC DO NOT SCALE DRAWING

注記
NOTES

★ 1. 適用ハウジング : 51089-***05, 51090-***00
APPLICABLE HOUSING : 51089-***05, 51090-***00

2. 材質 MATERIAL

リン青銅, 錫メッキ t=0.152
PHOSPHOR BRONZE, PRE-TINNED, t=0.152



50372-8100	バラ状 LOOSE
50372-8000	連鎖状 CHAIN
ENG.NO.	端子形状 FORM

材料 MATERIAL 注記参照 SEE NOTES		molex MOLEX-JAPAN CO.,LTD. 日本モレックス株式会社	
仕上げ FINISH 注記参照 SEE NOTES		REVISE ONLY ON CAD SYSTEM	
適用電線範囲 WIRE RANGE AWG #22~#26		TITLE 名称 NEW 2.0 WIRE TO BOARD CONN. CRIMP RECEPTACLE	
被覆外径 INS. RANGE φ 1.4MAX.		DWG. NO. SD-50372-8*00	
DRAWN BY '92/9/3 M.FUJIKURA		CHK'D BY '92/9/4 M.FUJIKURA	
APP'D BY '92/9/4 M.FUJIKURA		尺度 SCALE 10:1	
角 度 ANGLE ±3°		REVISION RECORD	
30 以上 OVER ±0.3		DR. 日付 DATE	
10 以上 30 未満 OVER ±0.25		CHK. 日付 DATE	
10 未満 UNDER ±0.2		REVISION RECORD	
一般公差 GENERAL TOLERANCES		REVISION RECORD	