



给您一颗快乐的“芯”！

# YSX1612SL



## Features

- External dimensions: 1.60 x 1.20 x 0.35 mm.
- Standard Frequency: 24~60MHz.
- High precision and high frequency stability.
- Excellent heat resistance and environmental characteristics.
- Applications: mobile phone, Bluetooth, Bluetooth, W-LAN ISM band radio, clock for MPU GPS, smart phone.

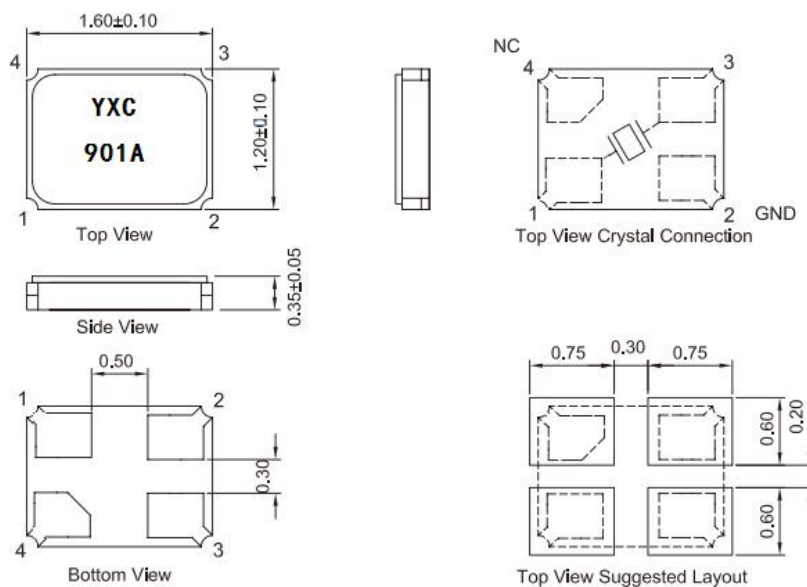
## Electrical Specifications

Item / Type	YSX1612SL
Standard Frequency	24~60 MHz
Vibration Mode	AT Fundamental
Load Capacitance	8pF, 10pF, or specify
Frequency Tolerance (at 25 °C)	± 10 ppm, ± 30 ppm, or specify
Frequency Versus Temperature Characteristics	±20 ppm, or specify
Operating Temperature	- 20 ~ + 70 °C , - 40 ~ + 85 °C , or specify
Storage Temperature	- 40 ~ + 85 °C , or specify
Shunt Capacitance	3 pF Max.
Level Of Drive	50 μ W Max
Frequency Aging (at 25 °C)	± 2 ppm / year Max.

## Equivalent Series Resistance(ESR)

Fundamental	
24 ~ 40 MHz	150 Ω Max.
41 ~ 60 MHz	100 Ω Max.

## Dimensions



Units: mm



给您一颗快乐的“芯”！

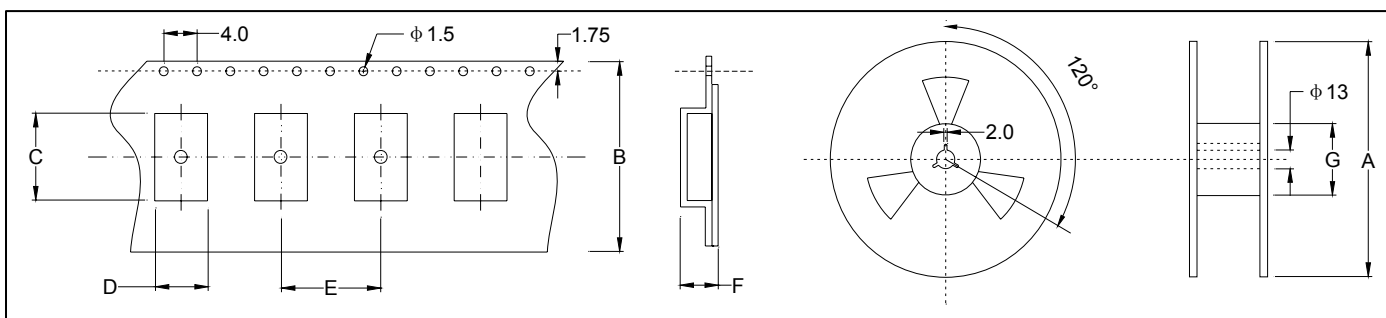
# YSX1612SL



★ PART NUMBER GUIDE 部件号示例 e.g. X161224MOB4SI YSX1612SL=1.60×1.20 SMD SEAM TYPE

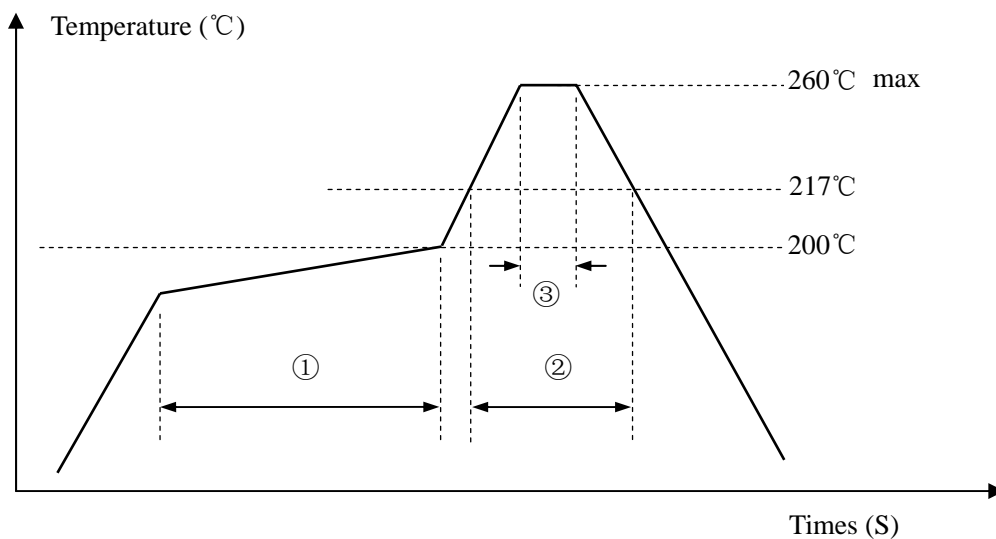
Quartz Crystal Resonator	Dimensions	Frequency (Hz)	Load Capacitance (Pf)	Frequency Stability Overall (ppm)	Pin	Material	Operating Temp. Range
X	1612	24M	O	B	4	S	I

★ TAPING SPECIFICATION (Unit: mm) 编带规格



	A	B	C	D	E	F	G
SMD1612	178.0	8.0 ±0.2	1.85 ±0.01	1.90 ±0.01	4.0 ±0.1	0.45 ±0.10	60.0 ±1.0
3000 pcs per reel							

★ REFLOW SOLDERING PROFILE 回流焊特性



Pb free reflow A	①	Preheat	150~200°C	120sec. max
	②	Primary heat	217°C	60sec. max
	③	Peak	260°C	10sec. max.