


 Hollyland (China) Electronics Technology Corporation Ltd. Hollyland(XiaMen) Technology Corporation Ltd.	PRODUCT SPECIFICATION	ISSUED DATE:	2018/3/27
	30TS RoHS SERIES	REV. NO.:	A04
		DOC. NO.:	HLD-PSI-8058
		PAGE:	Page 1 of 9

制定 PREPARED BY		审核 CHECKED BY		批准 APPROVED BY	
-------------------	---	------------------	---	-------------------	---

1 适用范围/ SCOPE

本规格书适用于公司生产并获得 UL、CUL、CSA、CCC、VDE、PSE 安全标准认证的 30TS RoHS 系列 HOLLY® 商标的微型保险丝管。

This specification defines the technical requirements of microfuse type 30TS RoHS series with HOLLY® brand, which are approved by UL, CUL, CSA, CCC, VDE and PSE.

产品部件号为: 型号 额定电流 额定电压
Construction of part no.: type rated current rated voltage
例如/ Example: 30TS 010 H2

* 额定电压/ Rated Voltage: H1-350V H2-250V L-125V

产品部件号/ PART NUMBER

PART NUMBER	额定电流 RATED CURRENT	额定电压 RATED VOLTAGE	PART NUMBER	额定电流 RATED CURRENT	额定电压 RATED VOLTAGE
30TS-0200H1/H2/L	200 mA	350V/250V/125V	30TS-016H1/H2/L	1.6 A	350V/250V/125V
30TS-0250H1/H2/L	250 mA		30TS-020H1/H2/L	2.0 A	
30TS-0300H1/H2/L	300 mA		30TS-025H1/H2/L	2.5 A	
30TS-0315H1/H2/L	315 mA		30TS-030H1/H2/L	3.0 A	
30TS-0350H1/H2/L	350 mA		30TS-032H1/H2/L	3.15 A	
30TS-0375H1/H2/L	375 mA		30TS-035H1/H2/L	3.5 A	
30TS-0400H1/H2/L	400 mA		30TS-040H1/H2/L	4.0 A	
30TS-0500H1/H2/L	500 mA		30TS-050H1/H2/L	5.0 A	
30TS-0600H1/H2/L	600 mA		30TS-060H1/H2/L	6.0 A	
30TS-0630H1/H2/L	630 mA		30TS-063H1/H2/L	6.3 A	
30TS-0700H1/H2/L	700 mA		30TS-070H1/H2/L	7.0 A	
30TS-0750H1/H2/L	750 mA		30TS-080H1/H2/L	8.0 A	
30TS-0800H1/H2/L	800 mA		30TS-090H1/H2/L	9.0 A	
30TS-010H1/H2/L	1.0 A		30TS-100H1/H2/L	10 A	
30TS-012H1/H2/L	1.2 A		30TS-120H1/H2/L	12 A	
30TS-013H1/H2/L	1.25 A		30TS-150H1/H2/L	15 A	
30TS-015H1/H2/L	1.5 A				


2 相关标准/ APPLICABLE STANDARDS

2.1 30TS RoHS 系列产品适用的相关标准是 UL248-1、UL248-14、CSA C22.2 NO.248.1-00、CSA C22.2 NO.248.14-00、GB 9364、IEC 60127、JIS C6575。

Applicable standards for 30TS RoHS series are UL248-1, UL248-14, CSA C22.2 NO.248.1-00, CSA C22.2 NO.248.14-00, GB 9364, IEC60127 and JIS C6575.

2.2 认证情况/ APPROVED DETAILS

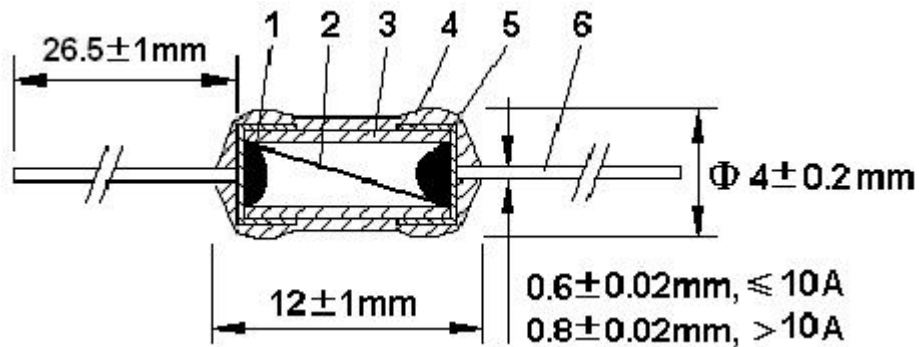
额定电压 RATED VOLTAGE	UL/ CUL		CSA		PSE		
	认证范围 APPROVED	认证号码 CERT. No.	认证范围 APPROVED	认证号码 CERT. No.	认证范围 APPROVE	认证号码 CERT. No.	
125V	200mA-10A	E156471	200mA-10A	LR101178	1A~5A	JET 2489-31007-1001A	
250V	200mA-10A				1A~5A	JET 2489-31007-1006A	
350V	2A~10A				/		
额定电压 RATED VOLTAGE	CCC				认证范围/ CERT. No.		
250V	100mA, 200mA, 250mA, 315mA, 500mA, 630mA, 800mA, 1A, 1.25A, 1.6A, 2A, 2.5A, 3.15A, 4A				2003010207096249		
额定电压 RATED VOLTAGE	CQC			认证范围/ CERT. No.			
250V	5A, 6.3A			CQC06012016994			
额定电压 RATED VOLTAGE	VDE			UR/ CUR			
125/ 250V	250mA, 315mA, 400mA, 500mA, 630mA, 800mA, 1A, 1.6A, 2A, 2.5A, 3.15A, 4A, 5A, 6.3A			40011830		认证范围 APPROVED RANGE	认证号码 CERT. No.
350V	/					200mA~1.6A	E156471

 Hollyland (China) Electronics Technology Corporation Ltd. Hollyland(XiaMen) Technology Corporation Ltd.	PRODUCT SPECIFICATION	ISSUED DATE:	2018/3/27
	30TS RoHS SERIES	REV. NO.:	A04
		DOC. NO.:	HLD-PSI-8058
		PAGE:	Page 2 of 9

3 公司地址/ ADDRESS

中国福建省厦门市翔安区舫山东二路 829 号
829 Fangshan East 2nd Road, Xiang'an, Xiamen, China.

4 构造图/ CONSTRUCTION FIG. & DIMENSION



编号 No.	品名 PART	材料名 MATERIAL MODEL	备注 NOTE
1	焊锡 Solder	含铅高温焊锡 Pb Contained High Temperature Solder	/
2	可熔体 Element	金属丝/ Metal Wire	额定电流 $I_n \leq 5A$
		一个锡球+金属丝/ One solder slow + Metal Wire	额定电流 $I_n > 5A$
3	管体 Tube	玻璃管(125V/250V)或陶瓷管(350V) Glass Tube (125V/250V) or Ceramic Tube (350V)	/
4	绝缘涂层 Insulating Coat	棕色环氧树脂 Brown Epoxy Resin	UL94-V0
5	尾线铜帽 Cap with Pig Tail	黄铜 Brass	镀镍 Nickel Plated
6	尾线/ Pig Tail	镀锡铜线/ Tin Plated Copper	镀锡/ Tin Plated

4.1 尾线/ Pig Tail

尾线可焊性符合 SJ/T 10669。

The solderability of the pig tail shall be complied with the standard of SJ/T 10669.

5 机械特性/ MECHANICAL PERFORMANCES

保险丝应能承受下列三项试验。/ Fuse shall withstand following three testing.

5.1 扭力试验/ Rotational Strength


固定保险丝管主体的一端，然后在另一端上顺时针和逆时针方向上顺序施加 10N·mm 力矩，保险丝管不应松动和破碎。

When one end of the specimen body is fixed and then the torque 10N·mm is applied to the other end clockwise and counterclockwise, no looseness or damage of fuse shall occur.

5.2 拉力试验/ Tensile Strength

固定保险丝管的一端引线，然后在另一端引线上，沿水平轴方向施加 10N 的拉力，引线不应松动且管体不应破碎。

When one pig tail of the specimen is fixed and then the tensile force 10N is applied to the other pig tail in a direction to separate the end pig tail, no looseness of pig tails or damage of fuse-tube shall occur.

 Hollyland (China) Electronics Technology Corporation Ltd. Hollyland(XiaMen) Technology Corporation Ltd.	PRODUCT SPECIFICATION	ISSUED DATE:	2018/3/27
	30TS RoHS SERIES	REV. NO.:	A04
		DOC. NO.:	HLD-PSI-8058
		PAGE:	Page 3 of 9

5.3 管体强度试验/ Strength of Fuse Tube

保险丝管主体固定好后，在保险丝管主体的中心位置施加 15N 的压力，管体不应破碎。

When middle parts of the specimen body are supported and then the force 15N is applied to the middle part of the specimen body, no damage of the fuse tube shall occur.

6 电气特性/ ELECTRICAL PERFORMANCES

6.1 测试条件/ TEST CONDITION

全部测试条件都应在环境温度 $24^{\circ}\text{C} \pm 3^{\circ}\text{C}$ 条件下进行，在此期间温度变化不允许达到 $+5^{\circ}\text{C}$ 和到极限范围

All electrical tests are conducted at an ambient temperature of $24 \pm 3^{\circ}\text{C}$. The ambient temperature is not allowed to vary more than 5°C during the test, and must be within these limits.

6.2 负载能力测试/ CURRENT-CARRYING CAPACITY TEST

当保险丝通以 100% 倍额定电流的条件下进行测试时，在 4 小时内电路不应断开，保险丝不被电流熔化，管体不破裂。

When a fuse is carrying 100% of rated current for continuing 4 hours and more, no open circuit, melt fusible element, or ruptured tube shall occur in any manner during this test.

6.3 温度上升试验/ TEMPERATURE RISE TEST

当保险丝通以 100% 倍额定电流的条件下进行测试时，在达到热量平衡后，测量保险丝表面的温度，保险丝表面的温度上升必须等于或低于 75°C 。注：温度上升=保险丝表面的温度-环境温度。

Measure the temperature of the surface of the fuse under the 100% rated current, when the thermal equilibrium reaches. The temperature rise on the surface of each fuse shall be 75°C or less.

Note: Temp. rise = fuse temp. - room temp..

6.4 预飞弧时间-电流特性/ PRE-ARCING TIME-CURRENT CHARACTERISTICS

保险丝通以下表规定的电流时，其熔断时间必须符合下表的要求，且铜帽不能飞脱、管体不应破裂、损坏。

When the current in the following table is passing the fuse, its opening time must be in accordance with the requirements in the following table, that is, the pre-arcing time. Moreover, neither damage of the fuse-tube nor shattering of the cap shall occur.

熔断电流/ % of Rated Current	额定电流/ RATED CURRENT	熔断时间/ Open Time
200%	$I_n < 1\text{A}$	60 sec. Max.
	$I_n \geq 1\text{A}$	1~60 sec.

6.5 分断能力/ BREAKING CAPACITY

这些型号的保险丝的分断能力应能达到下表规定的相应的各种安全认证的分断能力要求。保险丝分断电路后，保险丝管不应破裂、铜帽飞脱、且铜帽两端的绝缘电阻不小于 $0.1\text{M}\Omega$ 。

The breaking capacity should reach the breaking rated current given in the following table. And after this test, there should be no damage of the fuse-tube or shattering of the caps. After this test, the insulation resistance between the end caps shall be not less than $0.1\text{M}\Omega$.

额定电压 RATED VOLTAGE	分断电流/ BREAKING CURRENT					
	UL/ CUL	UR/ CUR	CSA	CCC/ CQC	VDE	PSE
125V	50A (200mA~10A)	/	50A (200mA~10A)	/	35A or $10I_n$ (Whichever is greater) ($I_n \leq 6.3\text{A}$)	100A(1A~5A)
250V				35A or $10I_n$ (Whichever is greater) ($I_n \leq 6.3\text{A}$)		
350V	50A (2A~10A)	30A (200mA~1.6A)		/		



Hollyland (China) Electronics
Technology Corporation Ltd.
Hollyland(XiaMen)
Technology Corporation Ltd.

PRODUCT SPECIFICATION

30TS RoHS SERIES

ISSUED DATE:

2018/3/27

REV. NO.:

A04

DOC. NO.:

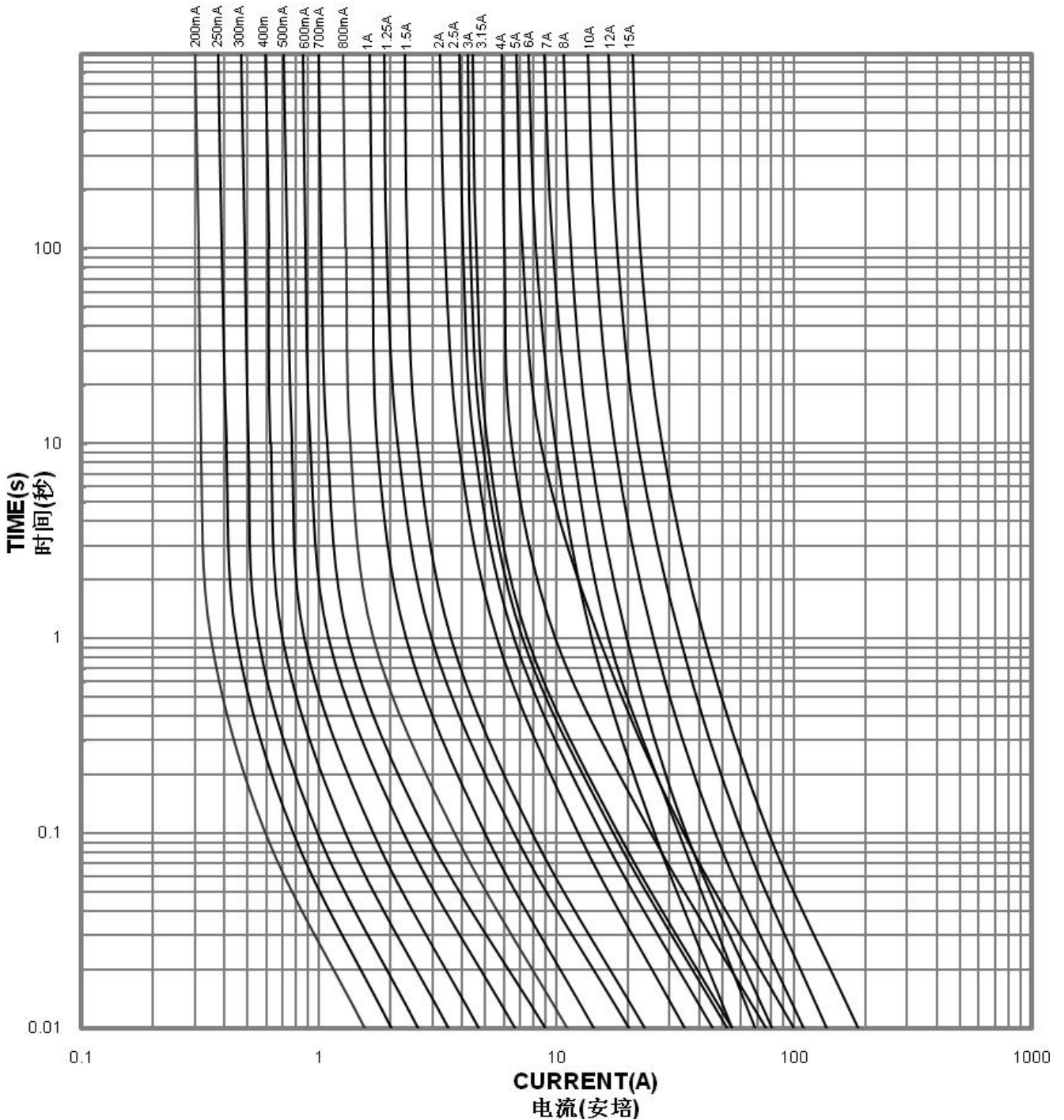
HLD-PSI-8058

PAGE:

Page 4 of 9

6.6 平均 I-T 特性曲线图(仅供参考)/ THE AVERAGE I-T CHARACTERISTICS CURVE(FOR REFERENCE ONLY)

30TS RoHS Average I-T Characteristics Curve(For Reference Only)
30TS RoHS 平均I-T 曲线图(仅供参考)





Hollyland (China) Electronics
Technology Corporation Ltd.
Hollyland(XiaMen)
Technology Corporation Ltd.

PRODUCT SPECIFICATION

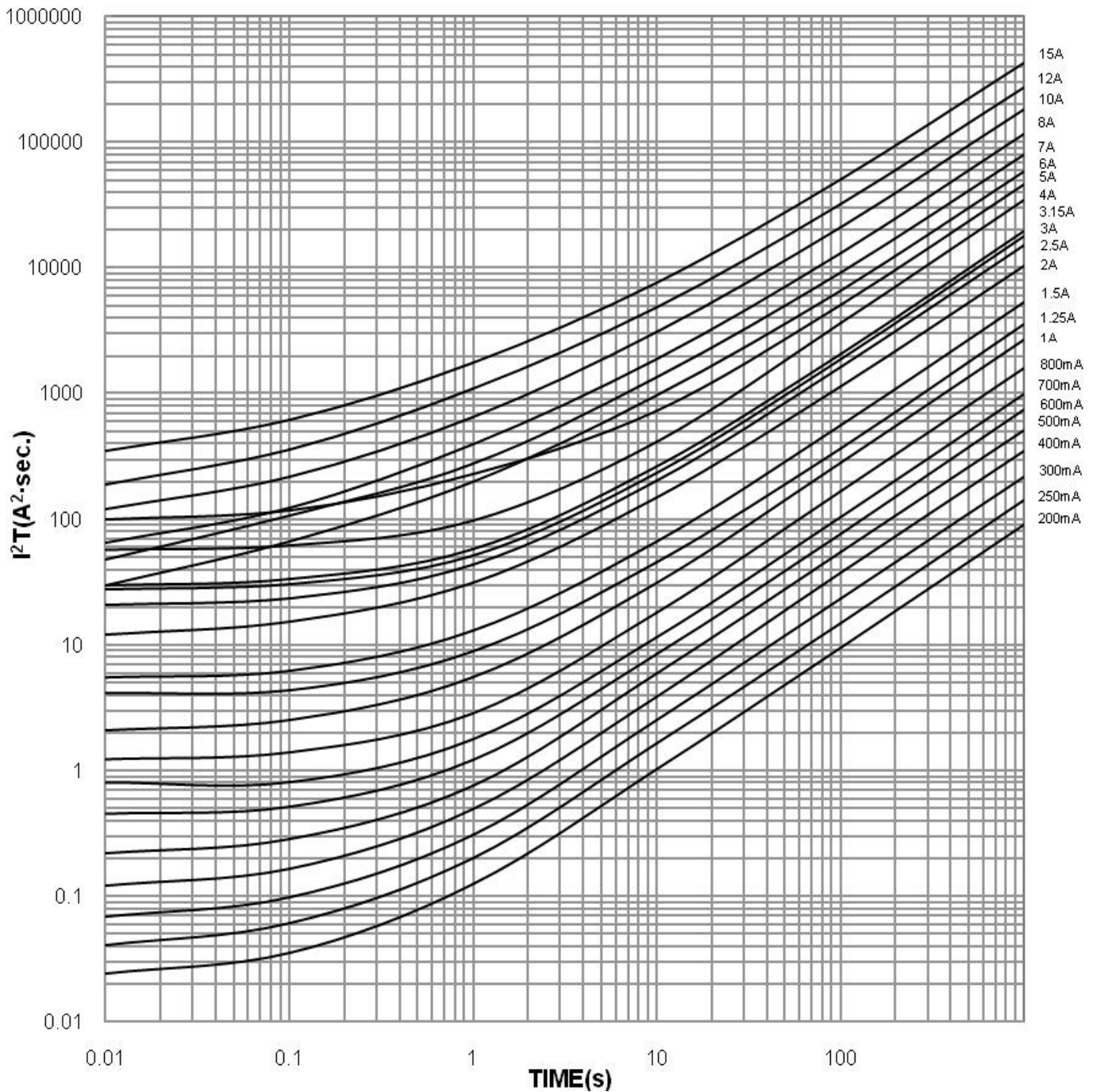
30TS RoHS SERIES


ISSUED DATE:
REV. NO.:
DOC. NO.:
PAGE:

2018/3/27
A04
HLD-PSI-8058
Page 5 of 9

6.7 平均 I²T-T 特性曲线图(仅供参考) / THE AVERAGE I²T-T CHARACTERISTICS CURVE(FOR REFERENCE ONLY)

30TS RoHS Average I²T-T Characteristics Curve(For Reference Only)



 Hollyland (China) Electronics Technology Corporation Ltd. Hollyland(XiaMen) Technology Corporation Ltd.	PRODUCT SPECIFICATION	ISSUED DATE:	2018/3/27
	30TS RoHS SERIES	REV. NO.:	A04
		DOC. NO.:	HLD-PSI-8058
		PAGE:	Page 6 of 9

6.8 焊接参数/ Soldering Parameters

波峰焊----260℃，最大 10 秒。/ Wave soldering-----260℃，10seconds Maximum.

6.9 电阻测试/ COLD RESISTANCE TEST

环境温度为 25±2℃，测试电流不大于保险丝额定电流的 10%。

Input 10% of fuse rated current to fuse for cold resistance test at surrounding temperature of 25±2℃.

7 产品标志/ MARKING

7.1 保险丝上的标志应易于看清。

The relevant markings shall be marked on the caps of the fuse and shall be easily visible.

7.2 每个保险丝应标有下列标记。

The markings for every fuse shall be prescribed as below according to the types.

- 1) 安全认证标志/ Safety approval logo: /        
- 2) 商标/ Trademark: 
- 3) 特性符号/ Characteristic Symbol: T(仅适用有 CCC 或 CQC 认证/ Only available with CCC or CQC certification)
- 4) 额定电流/ Rated Current
- 5) 额定电压/ Rated Voltage

8 包装要求/ PACKING DETAILS

8.1 外箱包装方式/ EXTERNAL CARTON PACKING

8.1.1 无编带型产品/ NO LEADS TAPING TYPE PRODUCT

8.1.1.1 参考尺寸：长×宽×高=470×400×230mm。

Reference Dimension: length×width×height=470×400×230mm.

8.1.1.2 包装细节：200 个/袋；4 袋/盒；25 盒/箱。

Packing Details: 200EA/ bag; 4 bags/ box; 25 boxes/ Carton.

8.1.2 编带型产品/ LEADS TAPING TYPE PRODUCT

8.1.2.1 参考尺寸：长×宽×高=400×270×220mm。

Reference Dimension: length×width×height=400×270×220mm.

8.1.2.2 包装细节：1500 个/盒；10 盒/每箱。

Packing Details: 1500EA/ box; 10boxes/ External Carton.

产品的包装应能达到防潮、抗振的作用，以防在运输或贮存过程中产品受潮或损坏。

Packing shall be so carried out that the products will not absorb moisture or be damaged during transportation or storage.

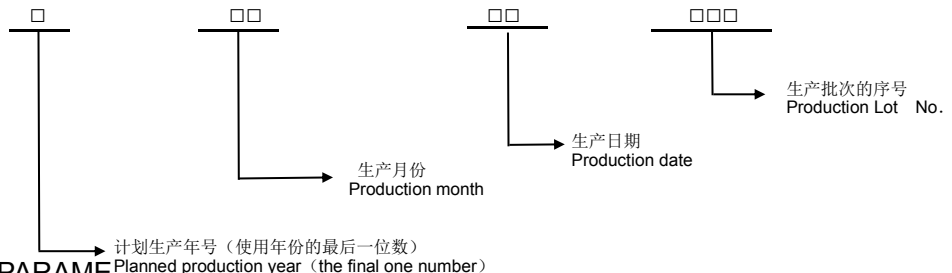
8.2 标签/ LABEL

标签应包括：型号、额定电流、额定电压、额定分断电流、商标、安全标志、批量号码、公司名称、RoHS 标志、绿色“G”、绿色“e”（仅无铅产品）和“QA”标志。

The label in the smallest package in which the fuses are put shall contain the Type, Rated current, Rated voltage, Interrupting current, Trademark, Safety approval logo, Lot. No., Company name, “RoHS” mark, green “G”, green “e” (only Pb free products) and “QA” mark.

例批量号：

Example Lot No.:




9 环境参数/ ENVIRONMENT PARAMETER

9.1 工作温度/ Operating Temperature: -55℃～125℃.

9.2 储存温度/ Storage Temperature: -55℃～85℃.

10 信赖性试验/ RELIABILITY TEST

 <p>Hollyland (China) Electronics Technology Corporation Ltd. Hollyland(XiaMen) Technology Corporation Ltd.</p>	PRODUCT SPECIFICATION	ISSUED DATE:	2018/3/27
	30TS RoHS SERIES	REV. NO.: DOC. NO.: PAGE:	A04 HLD-PSI-8058 Page 7 of 9

项目/ Item	试验要求/ Test Requirement	试验条件/ Test Condition
高温试验 High Temperature Test	<p>试验后保险丝管的电阻符合范围；电气特性符合：200%≤60 秒($I_n < 1A$)或 200%≤1~60 秒($I_n \geq 1A$)、100%≥4 小时。</p> <p>After high temperature test, the resistance value of the fuses shall be in range. Electrical Characteristics: 200%≤60 seconds($I_n < 1A$) or 200%≤60 seconds($I_n \geq 1A$), 100%≥4hours.</p>	<p>测试温度：105±2℃，测试时间：1000 小时。</p> <p>Test Temperature: 105 ± 2 °C , Test Time: 1000hours.</p>
低温试验 Low Temperature Test	<p>试验后保险丝管的电阻符合范围；电气特性符合：200%≤60 秒($I_n < 1A$)或 200%≤1~60 秒($I_n \geq 1A$)、100%≥4 小时。</p> <p>After low temperature test, the resistance value of the fuses shall be in range. Electrical Characteristics: 200%≤60 seconds($I_n < 1A$) or 200%≤60 seconds($I_n \geq 1A$), 100%≥4hours.</p>	<p>测试温度：-20±2℃，测试时间：1000 小时。</p> <p>Test Temperature: -20 ± 2 °C , Test Time: 1000hours.</p>
高湿试验 High Humidity Test	<p>试验后保险丝管的电阻符合范围；电气特性符合：200%≤60 秒($I_n < 1A$)或 200%≤1~60 秒($I_n \geq 1A$)、100%≥4 小时。</p> <p>After high humidity test, the resistance value of the fuses shall be in range. Electrical Characteristics: 200%≤60 seconds($I_n < 1A$) or 200%≤60 seconds($I_n \geq 1A$), 100%≥4hours.</p>	<p>测试温度：40±2℃，测试湿度：90%~95% RH，测试时间：96 小时。</p> <p>Test Temperature: 40 ± 2 °C , Test Humidity: 90%~95% RH, Test Time: 96hours.</p>
热冲击试验 Thermal Shock Test	<p>试验后保险丝管的电阻符合范围；电气特性符合：200%≤60 秒($I_n < 1A$)或 200%≤1~60 秒($I_n \geq 1A$)、100%≥4 小时。</p> <p>After thermal shock test, the resistance value of the fuses shall be in range. Electrical Characteristics: 200%≤60 seconds($I_n < 1A$) or 200%≤60 seconds($I_n \geq 1A$), 100%≥4hours.</p>	<p>每个循环：-40℃放置 30 分钟后 85℃放置 30 分钟，测试 10 循环。</p> <p>-40 °C / 30mins → 85 °C / 30mins, 10 cycles.</p>
落下、冲击试验 Falling Shock Test	<p>保险丝管绝缘涂层无缺陷破裂、缺损、不能脱落。两端引线不能损坏，应能经受专用的设备外加的轴向拉力 10N，保持 1 分钟。保险丝管体必须无缺陷破裂、缺损。试验后保险丝管的电阻符合范围；电气特性符合：200%≤60 秒($I_n < 1A$)或 200%≤1~60 秒($I_n \geq 1A$)、100%≥4 小时。</p> <p>The insulating resin of fuse should have no defects such as crack and injury or be shelled. The means of attachment shall be sufficient to withstand an axial pull of 10N applied to each pig tail for 1 minute. The pig tail shall be not damaged. The fuse body shall have no defects such as crack and injury. After falling shock test, the resistance value of the fuses shall be in range. Electrical Characteristics: 200%≤60 seconds($I_n < 1A$) or 200%≤60 seconds($I_n \geq 1A$), 100%≥4hours.</p>	<p>一箱 15,000 个或 20,000 个保险丝管从一米高自由落下，跌落 20 次。</p> <p>15,000EA or 20,000EA fuses/ one external carton, Falling Height: 1 meter, Falling Times: 20.</p>
可焊性试验 Solderability Test	<p>试验后尾线表面的焊锡覆盖率>95%。</p> <p>After solderability test, solder coverage of fuse's pig tail will be no more than 95%.</p>	<p>预涂助焊剂 5±1 秒后，浸入 245±5℃ 的无铅焊锡 5±0.5 秒。</p> <p>Immerse to flux 5 ± 1sec. then dip in solder bath 245 ± 5 °C , 5 ± 0.5sec..</p>



Hollyland (China) Electronics
Technology Corporation Ltd.
Hollyland(XiaMen)
Technology Corporation Ltd.

PRODUCT SPECIFICATION

30TS RoHS SERIES

ISSUED DATE:

2018/3/27

REV. NO.:

A04

DOC. NO.:

HLD-PSI-8058

PAGE:

Page 8 of 9

无编带型产品包装方式
No Leads Taping Type Product Packing Mode

1 Packing Details 包装细节:

1.1 $\phi 3.6 \times 10\text{mm}$ With Pigtail Series:
200EA/bag, 4 bags/box, 25 boxes/carton, 20,000EA/carton, G.W. 14.5Kgs/ N.W. 11.5Kgs.
200个袋, 4袋/盒, 25盒/箱, 20,000个桶, 毛重14.5公斤/净重11.5公斤。

1.2 $\phi 4.5 \times 15\text{mm}$ With Pigtail Series:
100EA/bag, 4 bags/box, 25 boxes/carton, 10,000EA/carton, G.W. 11.2Kgs/ N.W. 8.2Kgs.
100个袋, 4袋/盒, 25盒/箱, 10,000个桶, 毛重11.2公斤/净重8.2公斤。

1.3 $\phi 5.2 \times 20\text{mm}$ With Pigtail Series:
1.3.1 Glass Tube Fuse With Pigtail
100EA/bag, 4 bags/box, 25 boxes/carton, 10,000EA/carton, G.W. 15.3Kgs/ N.W. 12.3Kgs.
100个袋, 4袋/盒, 25盒/箱, 10,000个桶, 毛重15.3公斤/净重12.3公斤。

1.3.2 Creamic Tube Fuse With Pigtail
100EA/bag, 4 bags/box, 25 boxes/carton, 10,000EA/carton, G.W. 21.1Kgs/ N.W. 18.1Kgs.
100个袋, 4袋/盒, 25盒/箱, 10,000个桶, 毛重21.1公斤/净重18.1公斤。

1.4 $\phi 6.35 \times 32\text{mm}$ With Pigtail Series:
1.4.1 Glass Tube Fuse With Pigtail
50EA/bag, 4 bags/box, 25 boxes/carton, 5,000EA/carton, G.W. 17.8Kgs/ N.W. 14.8Kgs.
50个袋, 4袋/盒, 25盒/箱, 5,000个桶, 毛重17.8公斤/净重14.8公斤。

1.4.2 Creamic Tube Fuse With Pigtail
50EA/bag, 4 bags/box, 25 boxes/carton, 5,000EA/carton, G.W. 21Kgs/ N.W. 18Kgs.
50个袋, 4袋/盒, 25盒/箱, 5,000个桶, 毛重21公斤/净重18公斤。

2 Material 原材料
Box 内盒: Cardboard 纸板。
Carton 外箱: Double layer corrugated paper 双层瓦楞纸, thickness 厚度>6mm.

3 Printing and marking 印刷标记
Carton with Company name, Tel, Fax, E-mail, Web site, Trademark, Safety logo, BSI ISO9001 and CQC ISO14001:2004 registered firm etc. marked.
外箱需有公司名称,电话,传真,电子邮箱,网址,商标,安全认证, BSI ISO9001和CQC ISO14001:2004等标记。

4 RoHS compliant. 符合RoHS指令。


Box 盒

Carton 外箱

2				
1				
NO.	REVISED DATE	REVISED DETAILS		

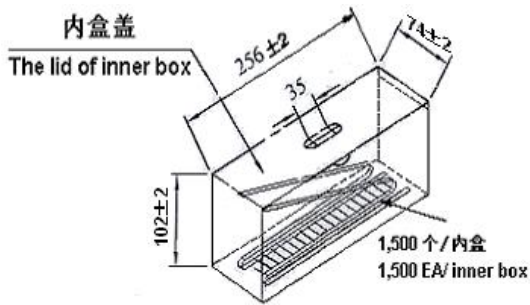
版本: A00

	<p>XIAMEN NINGLY ELECTRONICS CO., LTD.</p> <p>TITLE: Packing For The Fuse With Pigtail 戴尾型保险丝管包装规格</p> <p>UNLESS OTHERWISE SPECIFIED DIMENSIONS ARE IN MM</p> <p>DWG NO. NLBZ-01440</p> <p>MATERIAL</p> <p>TREATMENT</p> <p>QUANTITY</p>	<p>DRAWN BY: 陶家山, 2008.7.31</p> <p>CHECKED BY: [Signature]</p> <p>APPROVED BY: [Signature]</p> <p>SCALE</p>	<p>IN PART OR IN WHOLE SHALL BE MADE WITHOUT THE WRITTEN CONSENT OF THE COMPANY AUTHORITY.</p> <p>COMPANY AND REPRODUCTION OR UNAUTHORIZED USE OF THIS INFORMATION HEREON IS THE PROPERTY OF THE DRAWN BY: 陶家山, 2008.7.31</p> <p>CHECKED BY: [Signature]</p> <p>APPROVED BY: [Signature]</p>
--	---	---	--

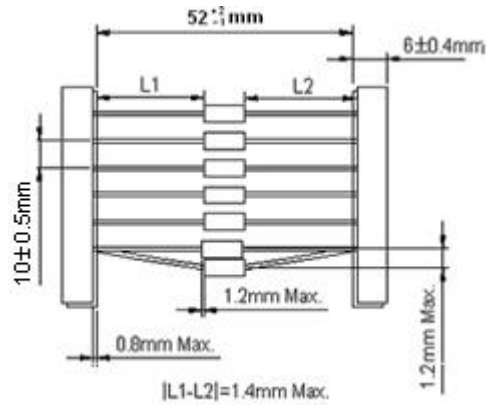
 <p>Hollyland (China) Electronics Technology Corporation Ltd. Hollyland(XiaMen) Technology Corporation Ltd.</p>	<p>PRODUCT SPECIFICATION</p>	<p>ISSUED DATE: 2018/3/27</p>
	<p>30TS RoHS SERIES</p>	<p>REV. NO.: A04</p> <p>DOC. NO.: HLD-PSI-8058</p> <p>PAGE: Page 9 of 9</p>

编带型产品包装方式
Leads Taping Product Packing Mode

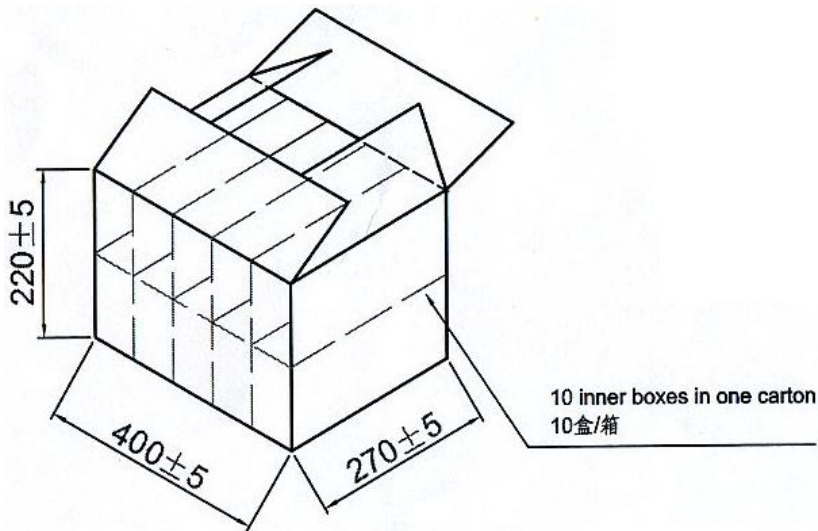
内盒
Inner Box



轴向引线编带
Axial Leads Taping



外箱
External Carton



1 重量 Weight

一个外箱(装满 15,000 个保险丝管)毛重 10.7 公斤/净重 9 公斤。

One external carton(filled with 15,000EA fuses): G.W. 10.7Kgs/ N.W. 9Kgs.

2 原材料 Material

内盒 Inner box: 纸板 Cardboard.

外箱 External carton: 双层瓦楞纸 Double layer corrugated paper, 厚度 Thickness>6mm.

3 印刷标志 Printing and Marking

外箱需有公司名称、电话、传真、电子邮箱、网址、商标、安全标志、RoHS、BSI ISO9001 和 CQC ISO14001:2004 等标志。

External carton With Company name, Tel, Fax, E-mail, Web site, Trade make, Safety approval logo, RoHS, BSI ISO9001 and CQC ISO14001:2004 registered firm etc..