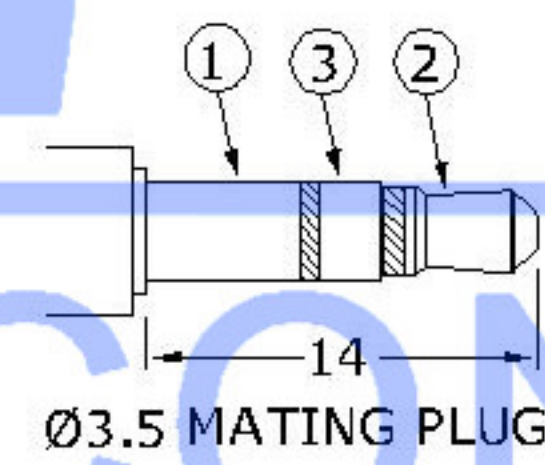


PJ-3135-

- SPECIFICATION**
- 1 Rating : DC 30V 10A
 - 2 Contact resistance : $\leq 30m\Omega$
 - 3 Insulation resistance : $\geq 100M\Omega$
 - 4 Withstand voltage : 500VAC
 - 5 Insertion and extraction force : 3-20N
 - 6 life test : 5,000 cycles



SWITCH CONNECTOR

R:red	G:green
Y:yellow	B:black
W:white	T:transparent

	MATERIAL	PLATING
terminal 1	copper all oy	silver
terminal 2	copper all oy	silver
terminal 3	copper all oy	silver
terminal 4	copper all oy	silver
plastic	PA9T	

MARK	DESCRIPTION	DATE	REVISED	APPROVED	UNSPECIFIED TOLERANCES	DSND	DATE	SCALE: N/A	MODEL TYPE: 3.5 PHONE JACK		
ΔX					ANGULAR ±5°	DWN	DATE	VIEW:	PART NO.:		
ΔX					L ≤ 4 ±0.2	CHKD	DATE	UNIT: mm	DWG NO.: PJ-313X-X		
ΔX					4 < L ≤ 16 ±0.3	APPD	DATE	SIZE: A4			
					16 < L ≤ 63 ±0.4						
					L > 63 ±0.5						
REVISIONS									WEIGHT	SHEET	REVISION
www.xk-dg.cn www.helloxkb.com www.helloxkb.cn									1.0g	1/1	A0

XKB INDUSTRIAL PRECISION CO.,LIMITED