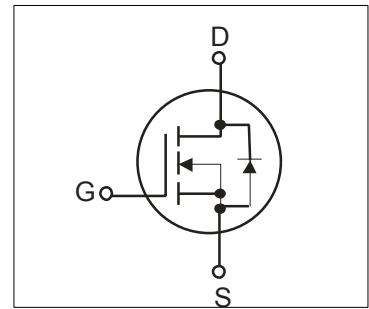


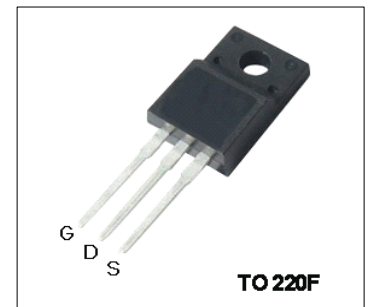
**Features**

- 5A,650V, $R_{DS(on)}$ (Max2.7 $\Omega$ )@ $V_{GS}=10V$
- Ultra-low Gate charge(Typical 12nC)
- Fast Switching Capability
- 100%Avalanche Tested
- Maximum Junction Temperature Range(150 $^{\circ}C$ )



**General Description**

This Power MOSFET is produced using Winsemi's advanced planar stripe,VDMOS technology.this latest technology has been especially designed to minimize on-state resistance, have a high rugged avalanche characteristics .This devices is specially well suited for half bridge and full bridge resonant topology line a electronic lamp ballast, high efficiency switched mode power supplies, active power factor correction.



**Absolute Maximum Ratings**

Symbol	Parameter	Value	Units
$V_{DSS}$	Drain Source Voltage	650	V
$I_D$	Continuous Drain Current(@ $T_c=25^{\circ}C$ )	5	A
	Continuous Drain Current(@ $T_c=100^{\circ}C$ )	2.8	A
$I_{DM}$	Drain Current Pulsed (Note1)	16	A
$V_{GS}$	Gate to Source Voltage	$\pm 30$	V
$E_{AS}$	Single Pulsed Avalanche Energy (Note2)	202	mJ
$E_{AR}$	Repetitive Avalanche Energy (Note1)	14	mJ
$P_D$	Total Power Dissipation(@ $T_c=25^{\circ}C$ )	33	W
	Derating Factor above 25 $^{\circ}C$	0.26	W/ $^{\circ}C$
$T_J, T_{stg}$	Storage Temperature	-55~150	$^{\circ}C$
$T_L$	Channel Temperature	300	$^{\circ}C$

**Thermal Characteristics**

Symbol	Parameter	Value			Units
		Min	Typ	Max	
$R_{QJC}$	Thermal Resistance , Junction -to -Case	-	-	3.79	$^{\circ}C/W$
$R_{QJA}$	Thermal Resistance , Junction-to -Ambient	-	-	120	$^{\circ}C/W$

## Electrical Characteristics(Tc=25°C)

Characteristics		Symbol	Test Condition	Min	Type	Max	Unit
Gate leakage current		I <sub>GSS</sub>	V <sub>GS</sub> =±30V,V <sub>DS</sub> =0V	-	-	±100	nA
Gate-source breakdown voltage		V <sub>(BR)GSS</sub>	I <sub>G</sub> =±10 μA,V <sub>DS</sub> =0V	±30	-	-	V
Drain Cut -off current		I <sub>DSS</sub>	V <sub>DS</sub> =650V,V <sub>GS</sub> =0V	-	-	1.0	μA
			V <sub>DS</sub> =500V,Tc=125°C	-	-	100	μA
Breakdown voltage Temperature coefficient		ΔBV <sub>DSS</sub> /ΔT <sub>J</sub>	I <sub>D</sub> =250 μA,Referenced to 25 °C	-	0.65	-	V/°C
Drain -source breakdown voltage		V <sub>(BR)DSS</sub>	I <sub>D</sub> =250 μA,V <sub>GS</sub> =0V	650	-	-	V
Gate threshold voltage		V <sub>GS(th)</sub>	V <sub>DS</sub> =V <sub>GS</sub> ,I <sub>D</sub> =250 μA	2	-	4	V
Drain -source ON resistance		R <sub>DS(ON)</sub>	V <sub>GS</sub> =10V,I <sub>D</sub> =2.0A	-	2.3	2.7	Ω
Input capacitance		C <sub>iSS</sub>	V <sub>DS</sub> =25V,	-	512	-	pF
Reverse transfer capacitance		C <sub>rSS</sub>	V <sub>GS</sub> =0V,	-	2.5	-	
Output capacitance		C <sub>oss</sub>	f=1MHz	-	56	-	
Switching time	Turn-on Rise time	t <sub>r</sub>	V <sub>DD</sub> =300V,	-	27	-	ns
	Turn-on delay time	T <sub>d(on)</sub>	I <sub>D</sub> =5A	-	14	-	
	Turn-off Fall time	t <sub>f</sub>	R <sub>G</sub> =25Ω	-	28	-	
	Turn-off delay time	T <sub>d(off)</sub>	(Note3,4)	-	34	-	
Total gate charge(gate-source plus gate-drain)		Q <sub>g</sub>	V <sub>DD</sub> =480V, V <sub>GS</sub> =10V,	-	12	-	nC
Gate-source charge		Q <sub>gs</sub>	I <sub>D</sub> =5A	-	3.2	-	
Gate-drain("miller") Charge		Q <sub>gd</sub>	(Note3,4)	-	5.0	-	

## Source-Drain Ratings and Characteristics(Ta=25°C)

Characteristics	Symbol	Test Condition	Min	Type	Max	Unit
Continuous drain reverse current	I <sub>DR</sub>	-	-	-	5	A
Pulse drain reverse current	I <sub>DRP</sub>	-	-	-	16	A
Forward voltage(diode)	V <sub>DSF</sub>	I <sub>DR</sub> =5A,V <sub>GS</sub> =0V	-	-	1.4	V
Reverse recovery time	t <sub>rr</sub>	I <sub>DR</sub> =5A,V <sub>GS</sub> =0V,	-	431	-	ns
Reverse recovery charge	Q <sub>rr</sub>	dI <sub>DR</sub> /dt =100 A/μs	-	2.1	-	μC

Note 1.Repeativity rating :pulse width limited by junction temperature

2.L=30mH I<sub>AS</sub>=3.36A,V<sub>DD</sub>=100V,R<sub>G</sub>=25Ω,Starting T<sub>J</sub>=25°C

3.Pulse Test:Pulse Width≤300us,Duty Cycle≤2%

4. Essentially independent of operating temperature.

This transistor is an electrostatic sensitive device

Please handle with caution

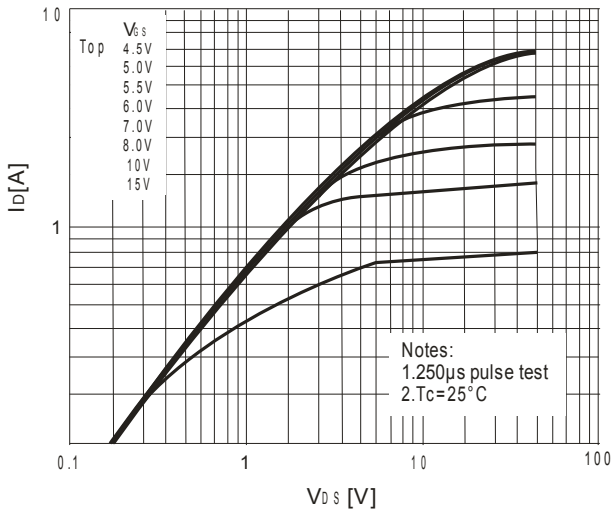


Fig.1 On Region Characteristics

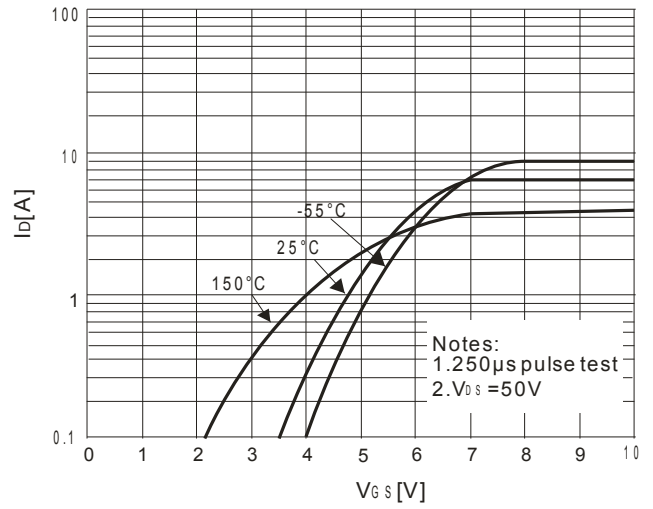


Fig.2 Transfer Characteristics

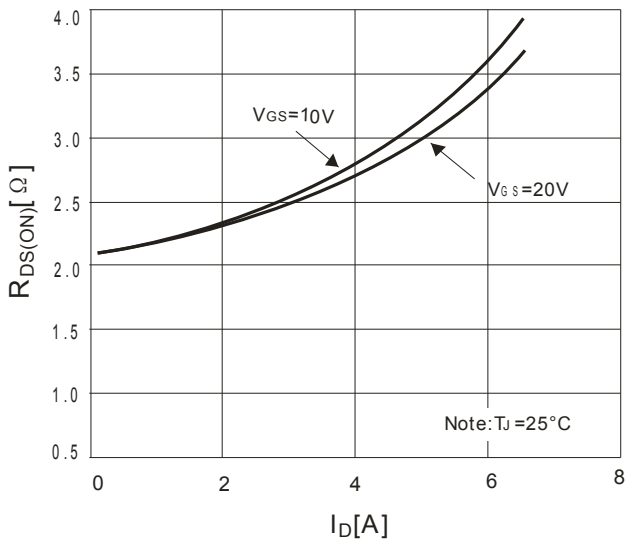


Fig.3 On-Resistance Variation vs Drain Current and Gate Voltage

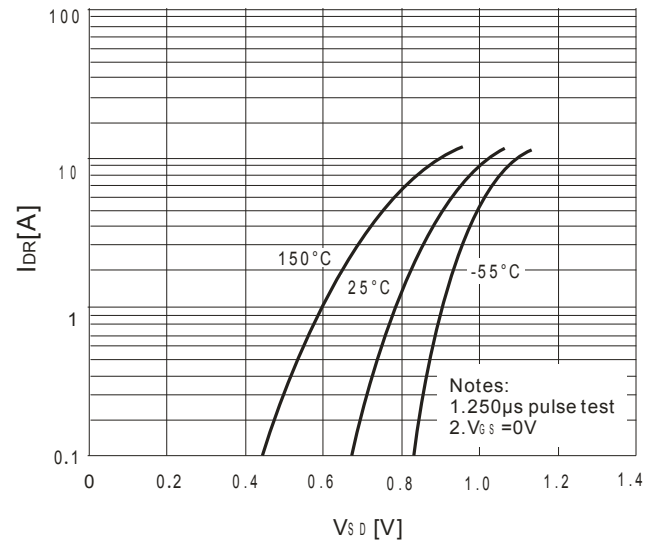


Fig.4 Body Diode Forward Voltage Variation vs. Source Current and Temperature

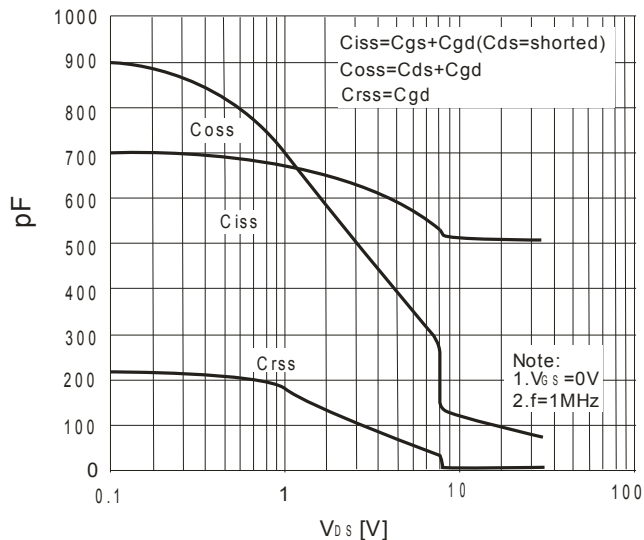


Fig.5 Capacitance Characteristics

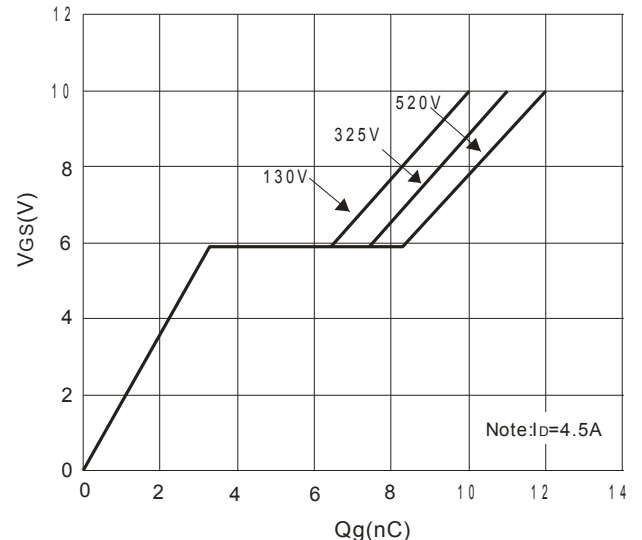


Fig.6 Gate Charge Characteristics

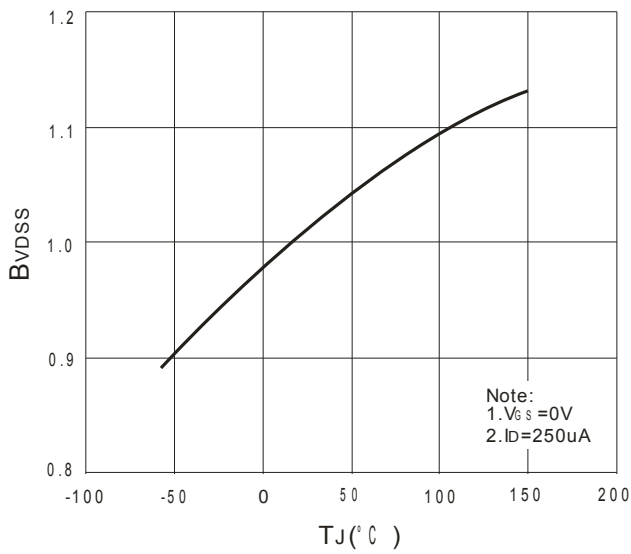


Fig.7 Breakdown Voltage Variation vs. Temperature

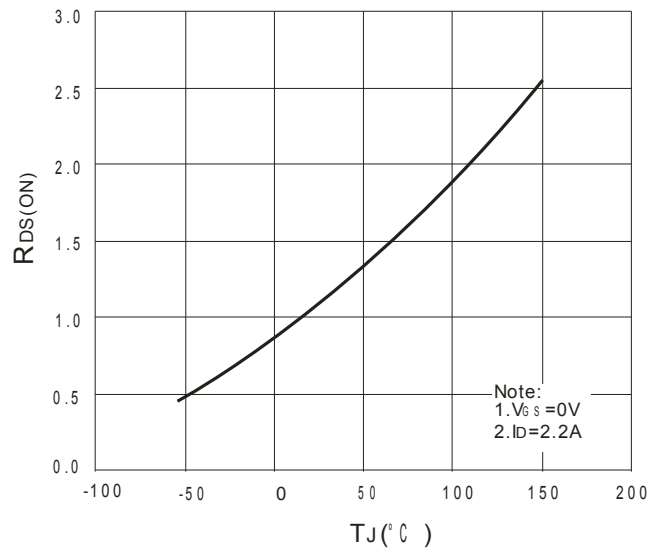


Fig.8 On-Resistance Variation vs. Temperature

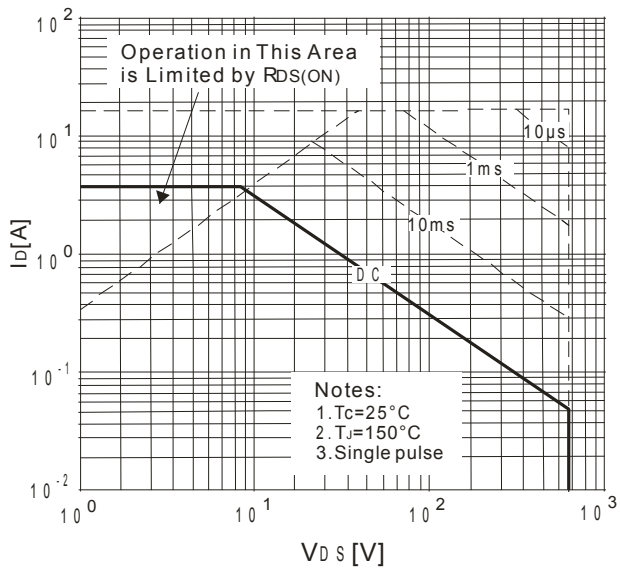


Fig.9 Maximum Safe Operation Area

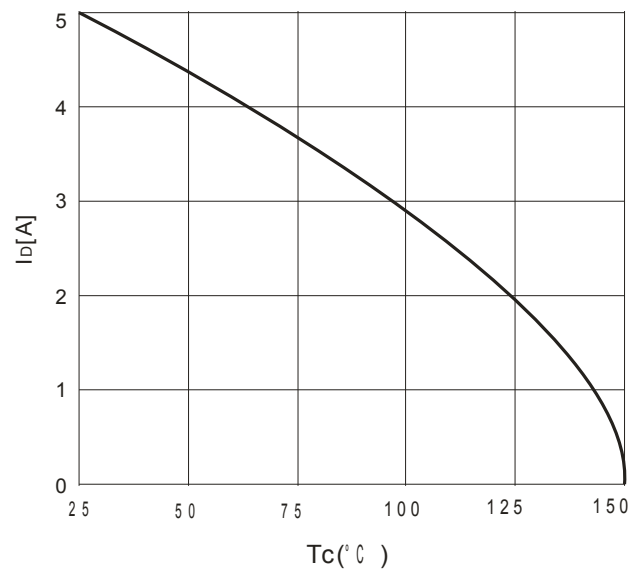


Fig.10 Maximum Drain Current vs Case temperature

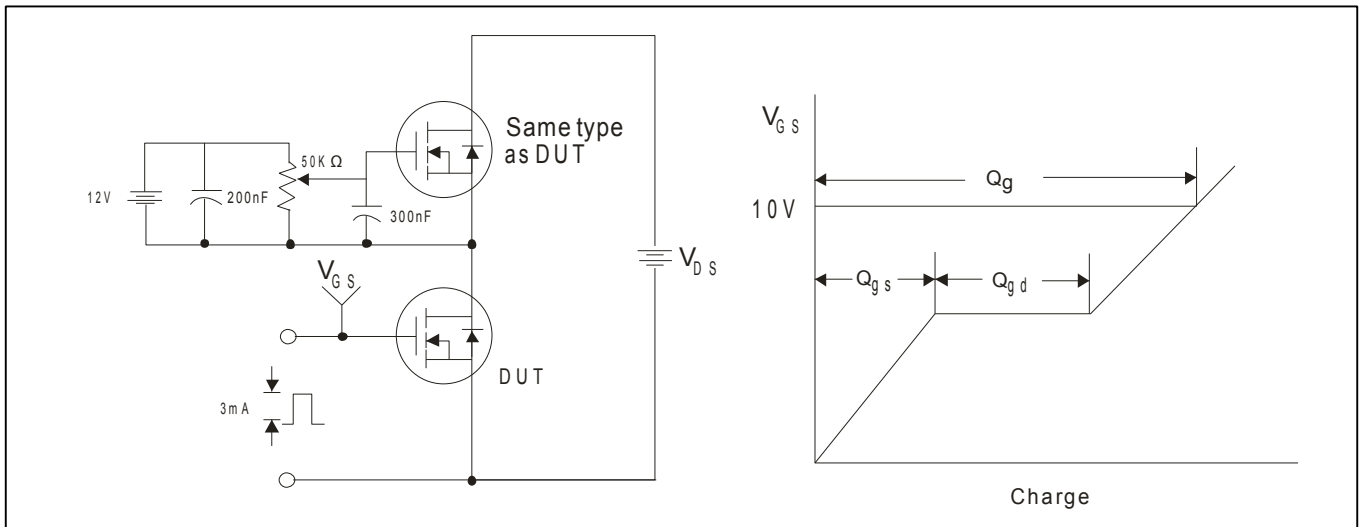


Fig.11 Gate Test circuit & Waveform

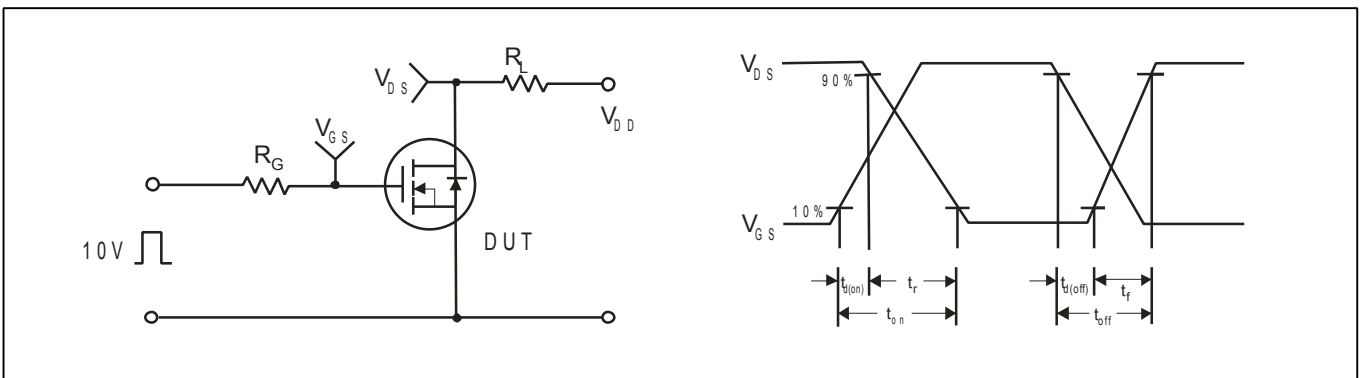


Fig.12 Resistive Switching Test Circuit & Waveform

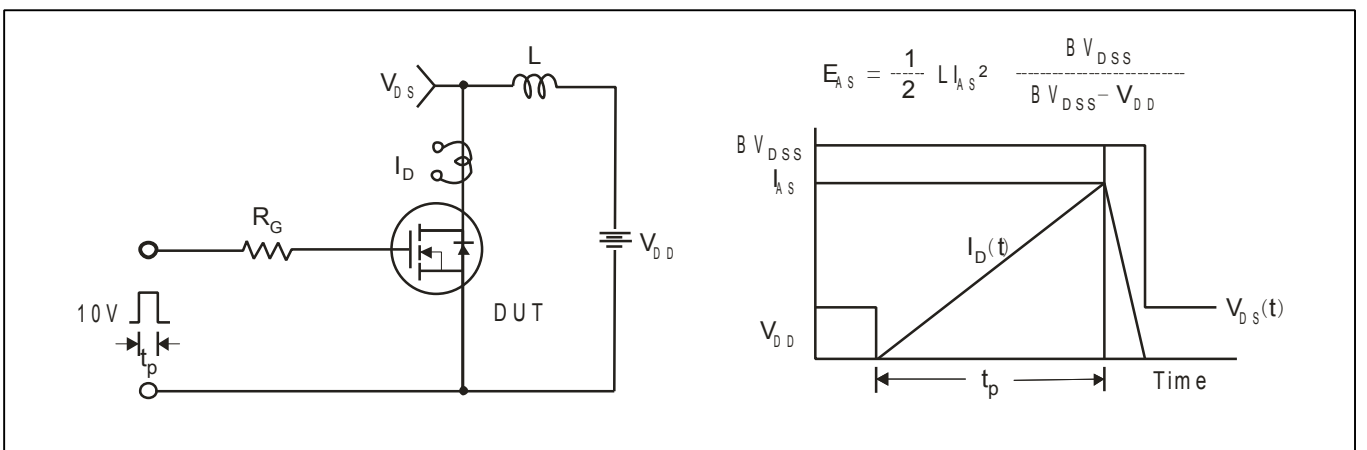


Fig.13 Unclamped Inductive Switching Test Circuit & Waveform

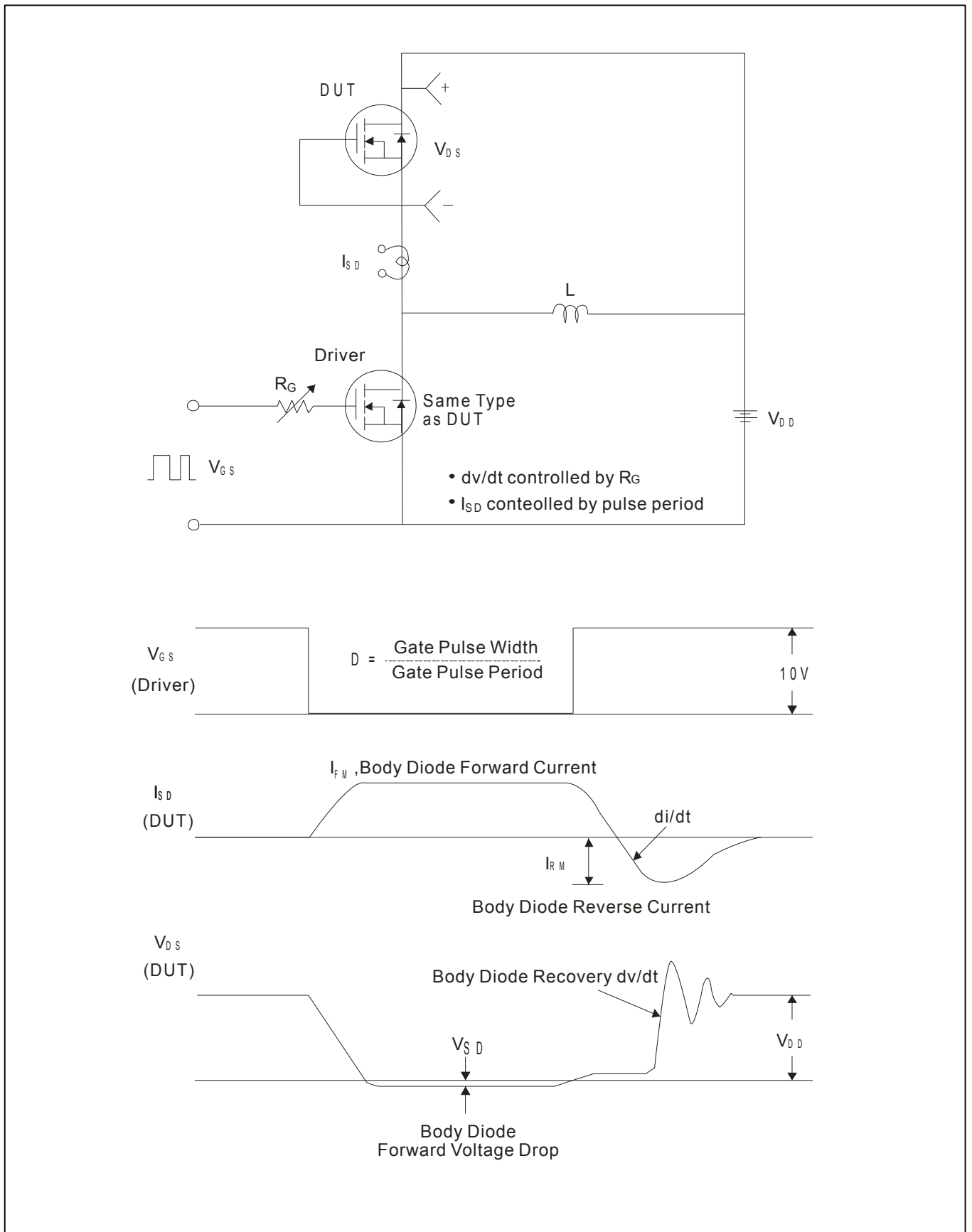
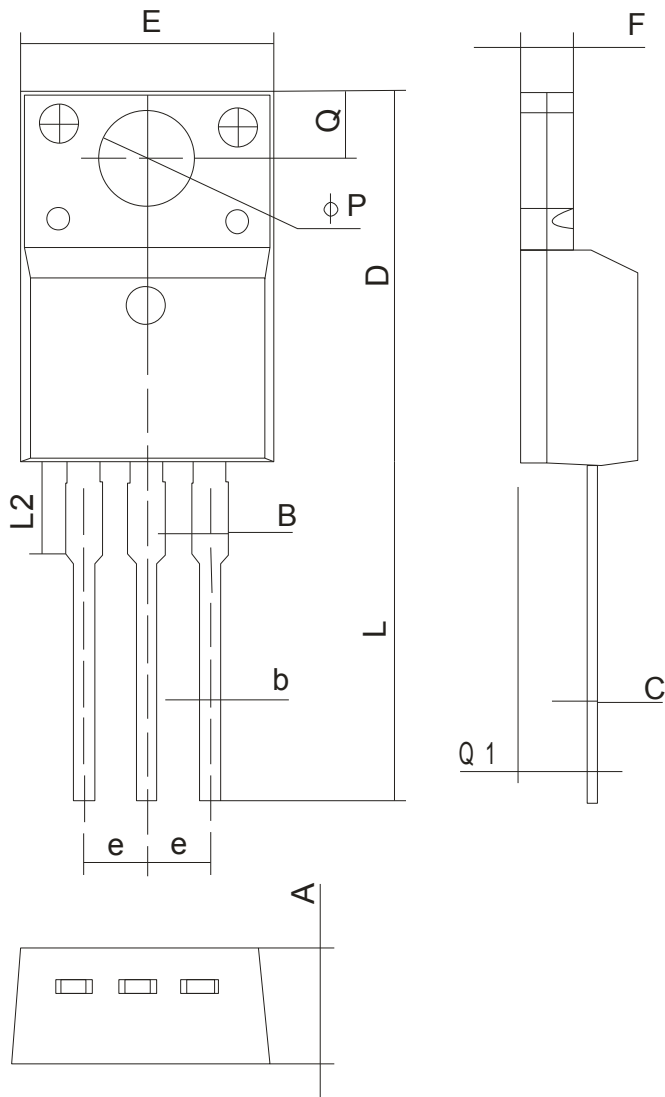


Fig.14 Peak Diode Recovery  $dv/dt$  Test Circuit & Waveform

TO-220F Package Dimension

Unit:mm



符号 Symbol	MIN	MAX
A	4.5	4.9
B	-	1.47
b	0.7	0.9
c	0.45	0.6
D	15.67	16.07
E	9.96	10.36
e	2.54TYPE	
F	2.34	2.74
L	12.58	13.38
L2	3.13	3.33
$\phi P$	3.08	3.28
Q	3.2	3.4
Q1	2.56	2.96

**NOTE:**

- 1.We strongly recommend customers check carefully on the trademark when buying our product, if there is any question, please don't be hesitate to contact us.
- 2.Please do not exceed the absolute maximum ratings of the device when circuit designing.
- 3.Winsemi Microelectronics Co., Ltd reserved the right to make changes in this specification sheet and is subject to change without prior notice.

**CONTACT:**

Winsemi Microelectronics Co., Ltd.

ADD:Room 1002, East, Phase 2, HighTech Plaza,Tian-An Cyber Park,Che gong miao, FuTian, Shenzhen, P.R. China.

Post Code : 518040

Tel : +86-755-8250 6288

FAX : +86-755-8250 6299

Web Site : [www.winsemi.com](http://www.winsemi.com)