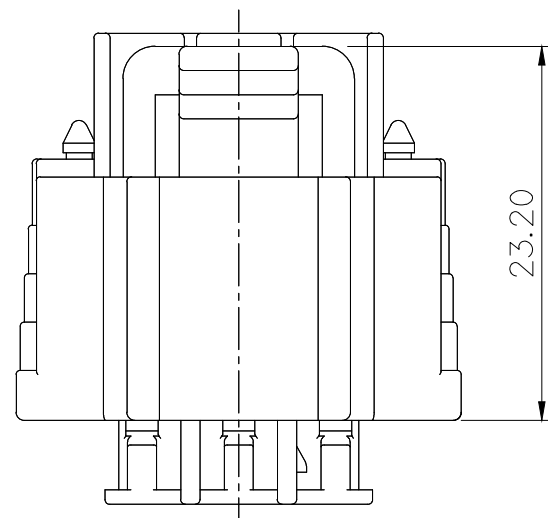
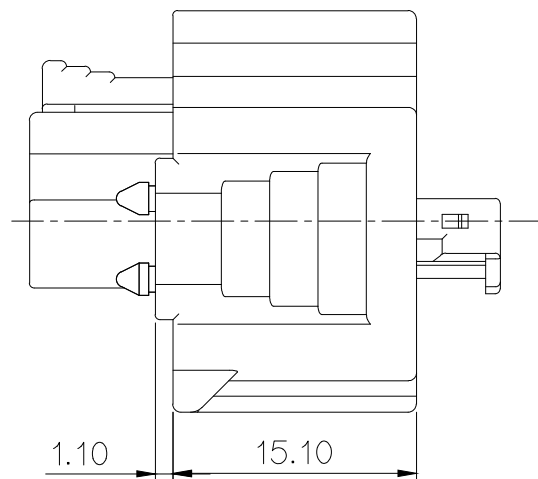


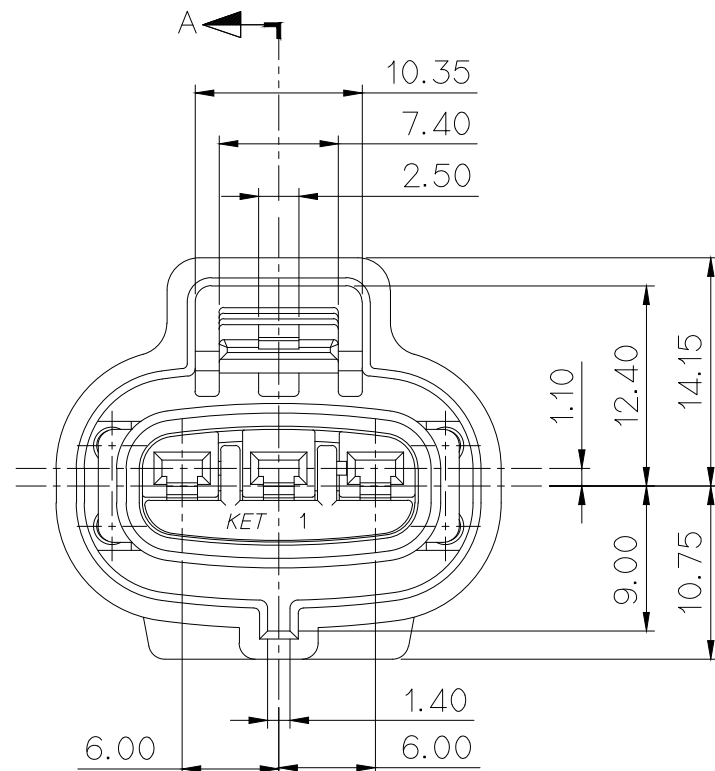
ISO VIEW



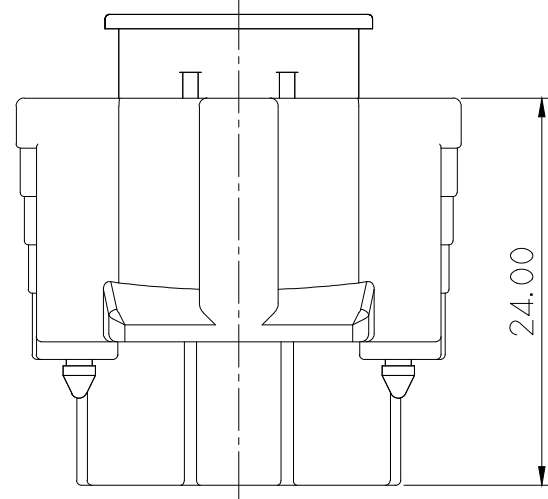
23.20



1.10 15.10



A

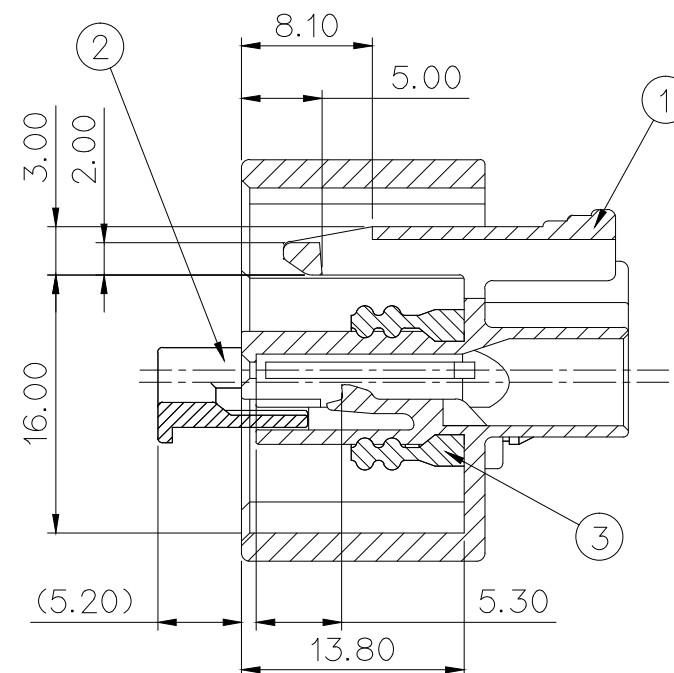


24.00

GENERAL TOLERANCE (HOUSING)							USED ON
10MAX	50MAX	100MAX	250MAX	250VR	ANGLE	ECCENT	
±0.2	±0.3	±0.55	±0.95	±1.4	±30'	0.1	

주 기

1. 기능상 유해한 BURR 및 WELDLINE 등이 없을 것.
2. F/HOLDER는 1차 LOCK 상태로 유지, 공급할 것.
3. 적용 TERMINAL : ST730623-3, 624-3, 625-3
4. 적용 WIRE SEAL : MG681114, 1115, 1116
5. 제품내 함유된 6대 유해물질 (납, 수은, 카드뮴, 6가 크롬, PBBs, PBDEs)은 EU ELV 지침 및 RoHS 법규에서 지정한 최대 허용 농도를 초과해서는 안 된다.



SECTION A-A

NOTE

1. MUST BE FREE OF BURR, WELDLINE AND IMPERFECTION THAT AFFECT FUNCTION.
2. FRONT HORDER IS SUPPORT WITH THE 1st LOCK CONDITOIN.
3. APPLICABLE TERMINAL : ST730623-3, 624-3, 625-3
4. APPLICABLE WIRE SEAL : MG681114, 1115, 1116
5. 6 HAZARDOUS SUBSTANCES IN PARTS (LEAD, MECURY, CADMIUM, HEXAVALENT CHROMIUM, PBBs, PBDEs) SHALL NOT EXCEED THE MAXIMUM PERMISSIBLE CONCENTRATION PRESCRIBED UNDER EU ELV DIRECTIVE.

APPROVED

2016-03-11

KOREA ELECTRIC  
TERMINAL CO., LTD.  
Product Developme  
nt Team 1

ISSUE MARK

NO.	PART NO.	PART NAME	MATERIAL	FINISH
①	MG674451	090 II WP 3F HOUSING(PRESS-SENSOR)	PBT	BLACK
②	MG674452	090 II WP 3F F/HOLDER(PRESS-SENSOR)	PBT	NATURAL
③	R600082	090 II WP 3F INNER SEAL(ISCA)	SILICONE	RED

MATERIAL	SEE TABLE		KOREA ELECTRIC TERMINAL CO., LTD.					
FINISH	SEE TABLE							
WIRE RANGE				CLASS 090 II WP				
INSULATION				TYPE				
LTR	REVISION RECORD	DR.	CHK.	APP.	DATE	TOLERANCE EXCEPT AS NOTED	SCALE 2/1	PART NO. MG644453
DR.	KMH 2009.08.19	CHK.				PART NAME		
CHK.		APP.						090II WP 3F ASSY (PRESS-SENSOR)