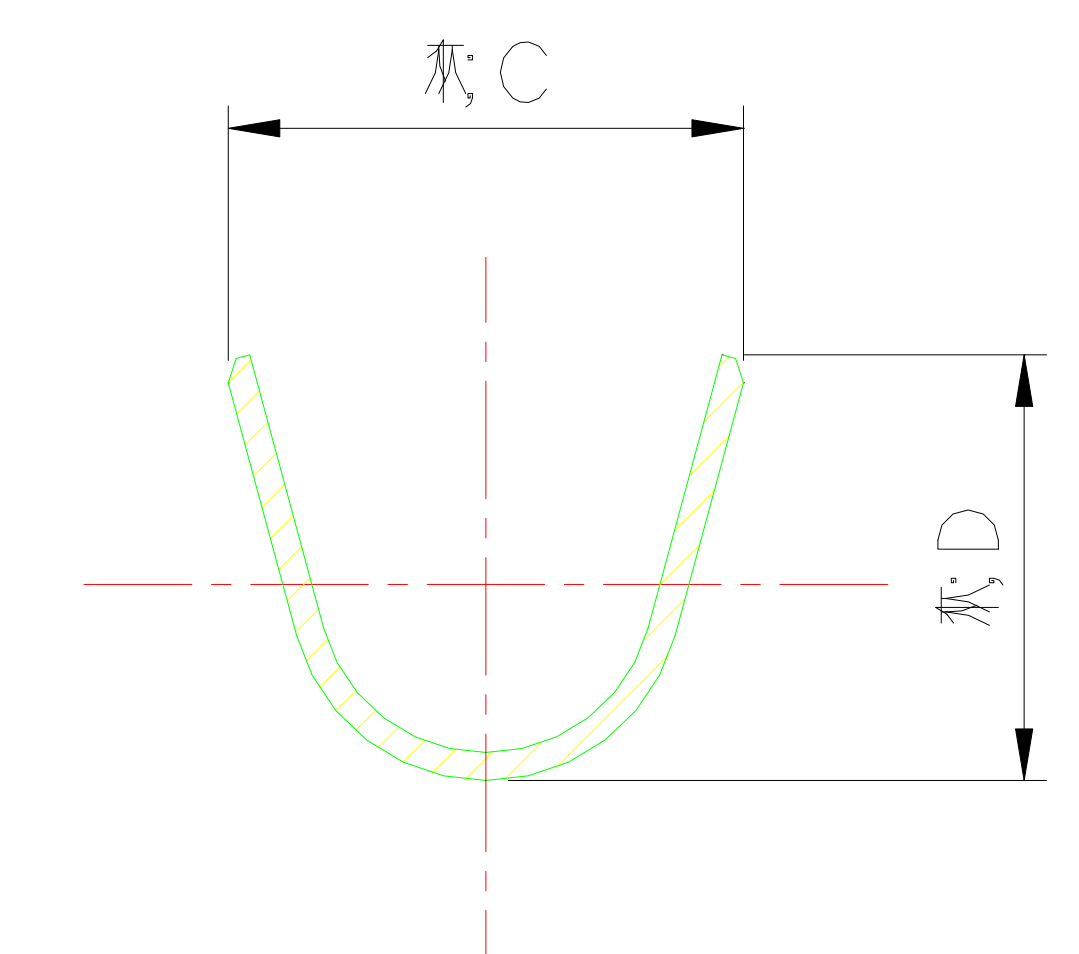
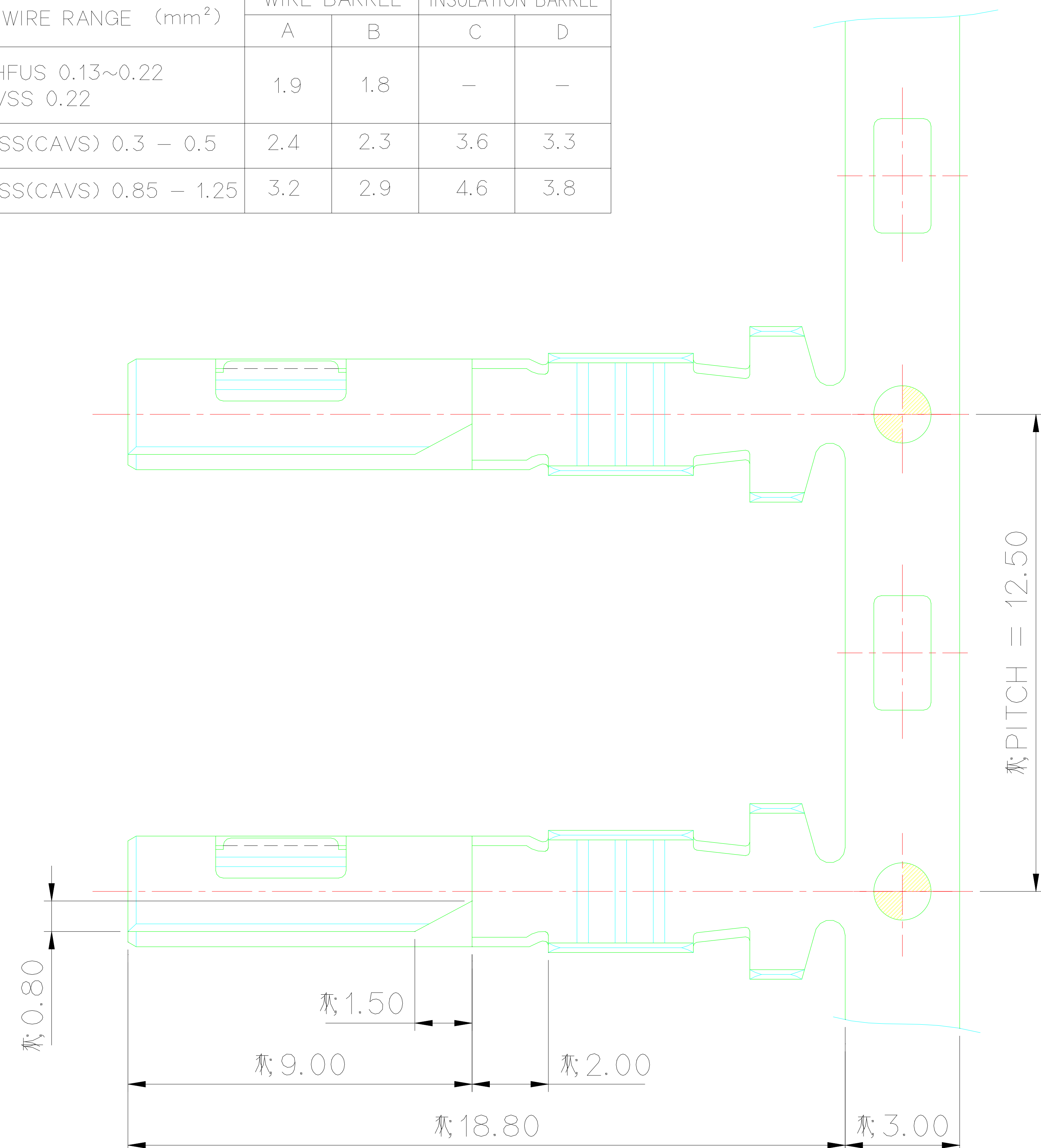
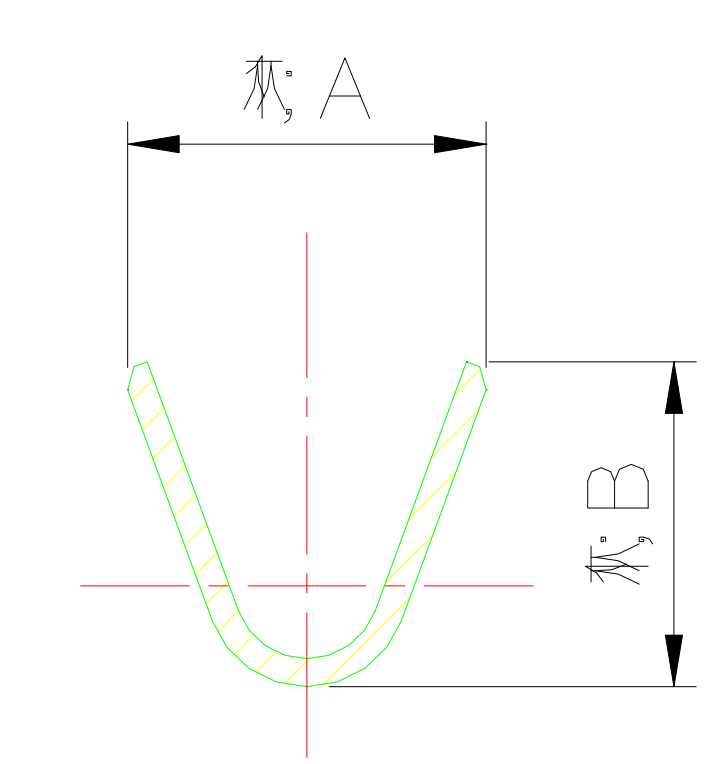


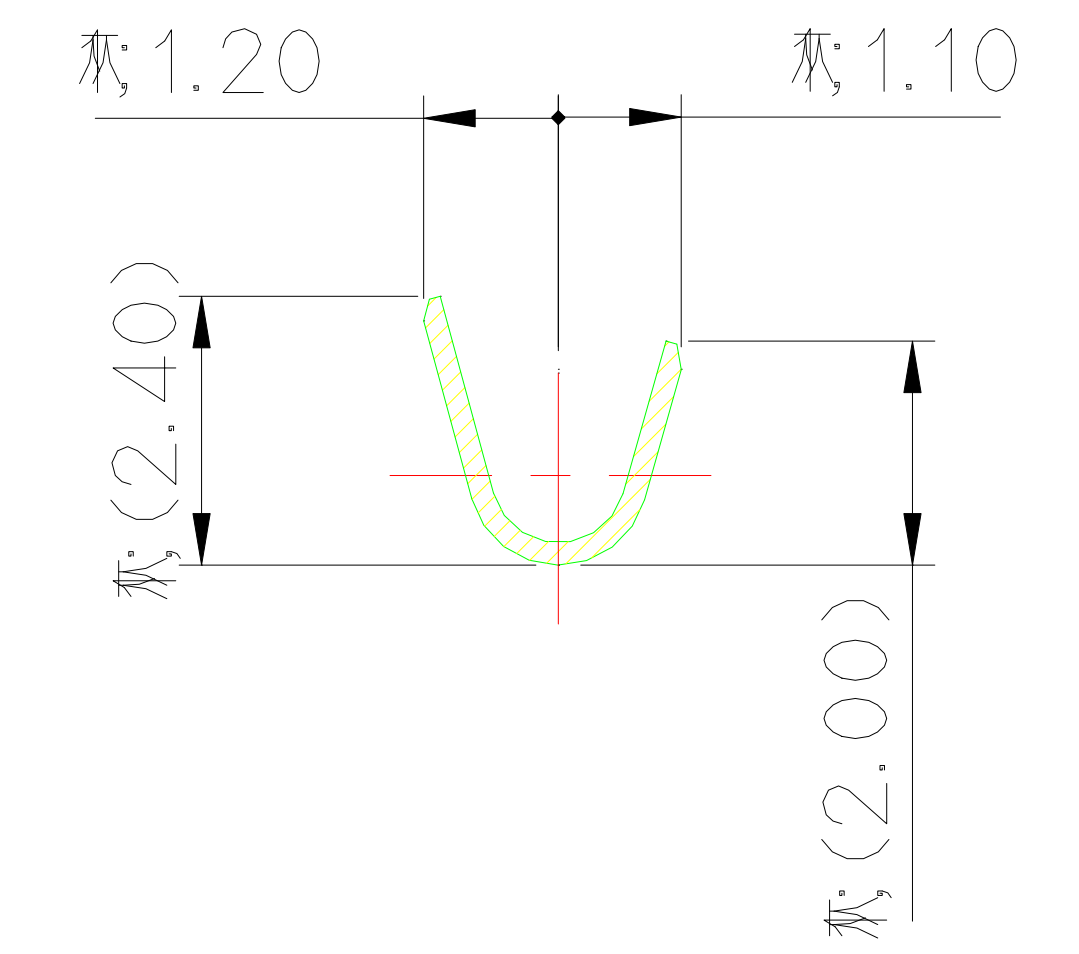
BARREL PART NO.	WIRE RANGE (mm ²)	WIRE BARREL		INSULATION BARREL	
		A	B	C	D
ST731108-3 (SS)	CHFUS 0.13~0.22 AVSS 0.22	1.9	1.8	-	-
ST731046-3 (S)	AVSS(CAVS) 0.3 - 0.5	2.4	2.3	3.6	3.3
ST731047-3 (M)	AVSS(CAVS) 0.85 - 1.25	3.2	2.9	4.6	3.8



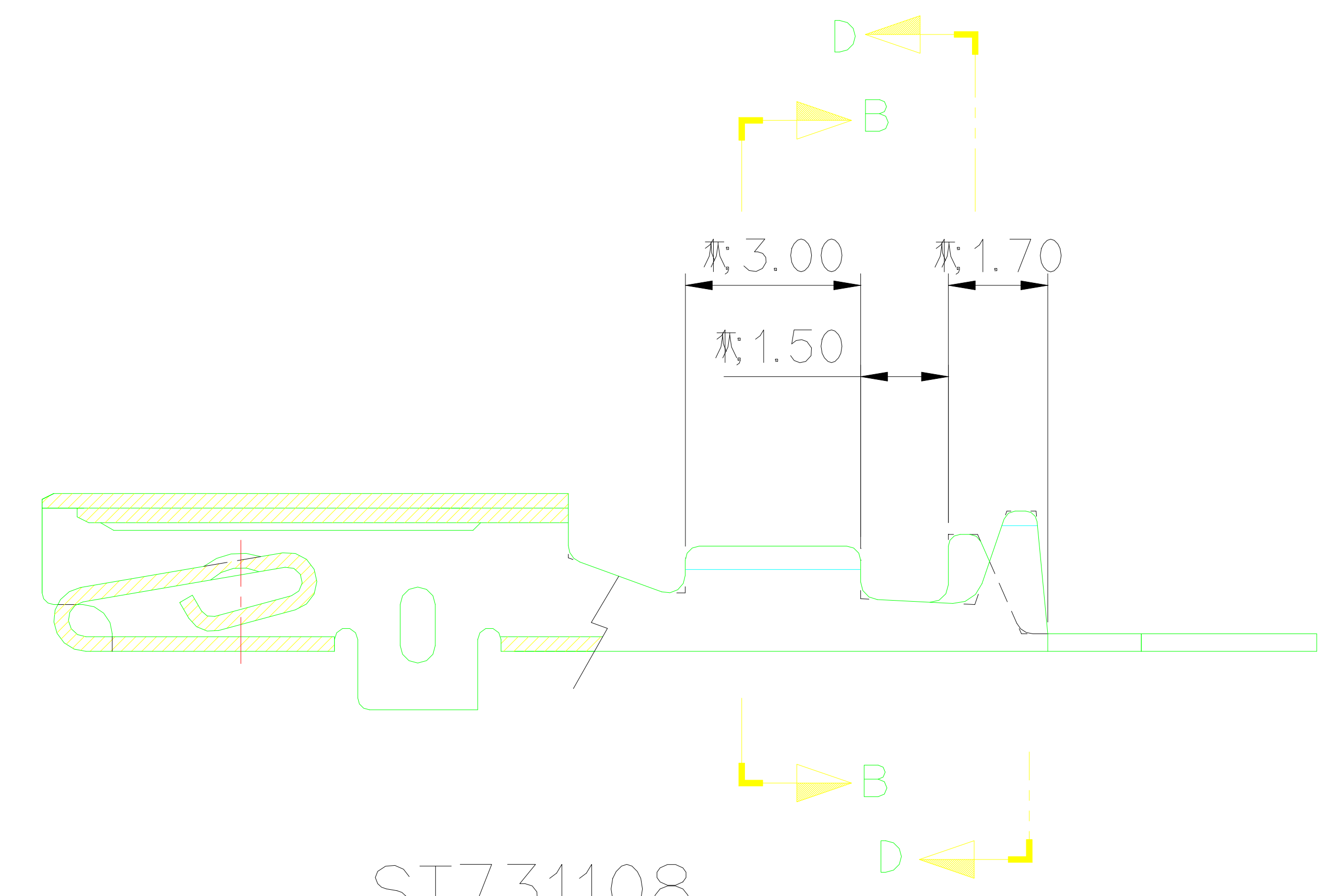
SECTION B-B



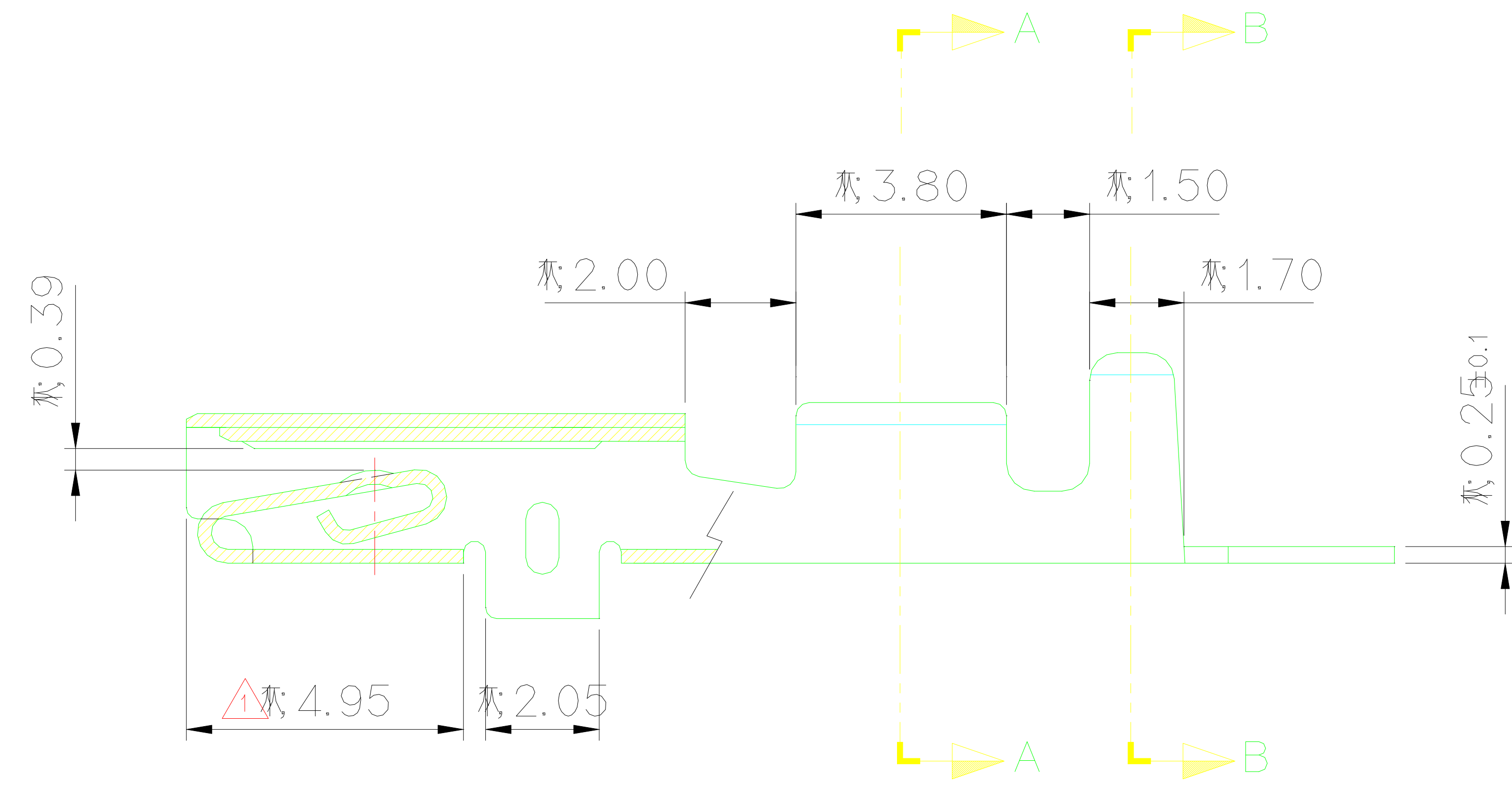
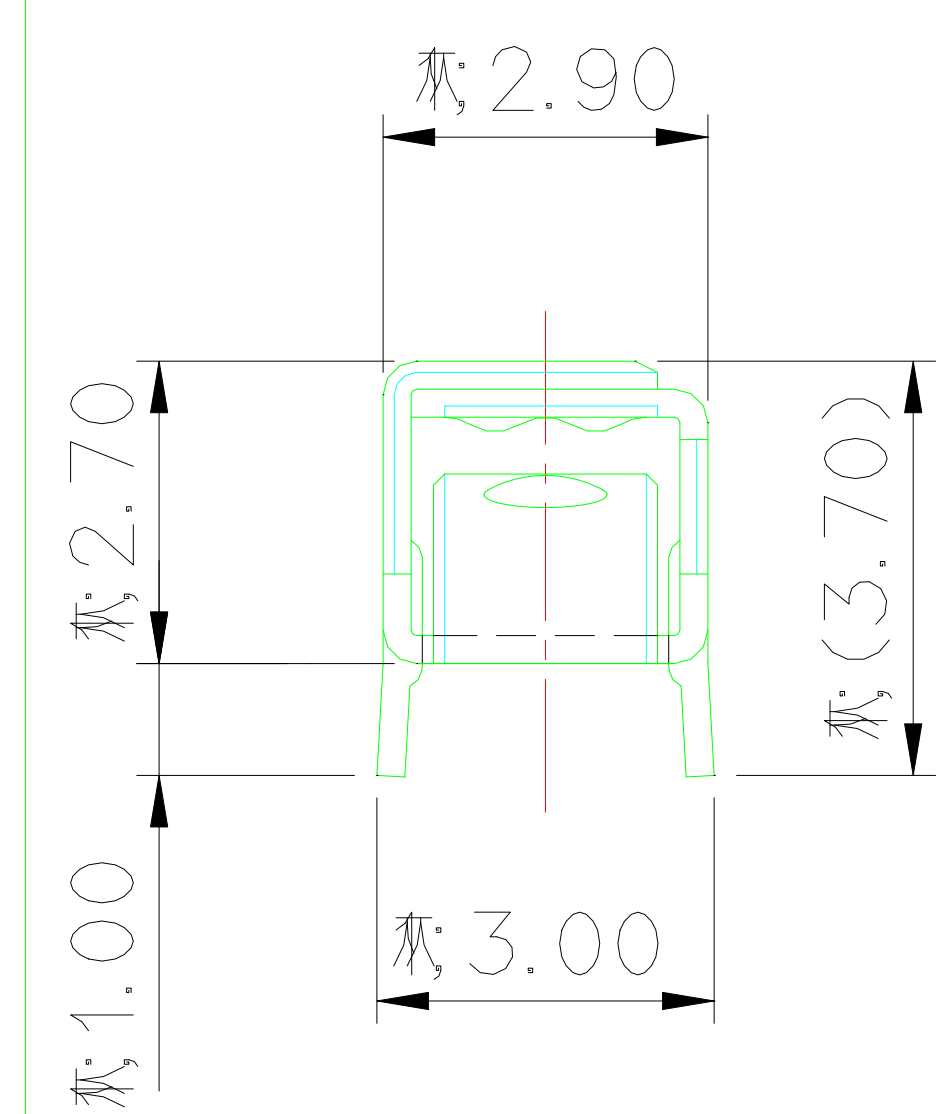
SECTION A-A



SECTION D-D
(ST731108)



ST731108



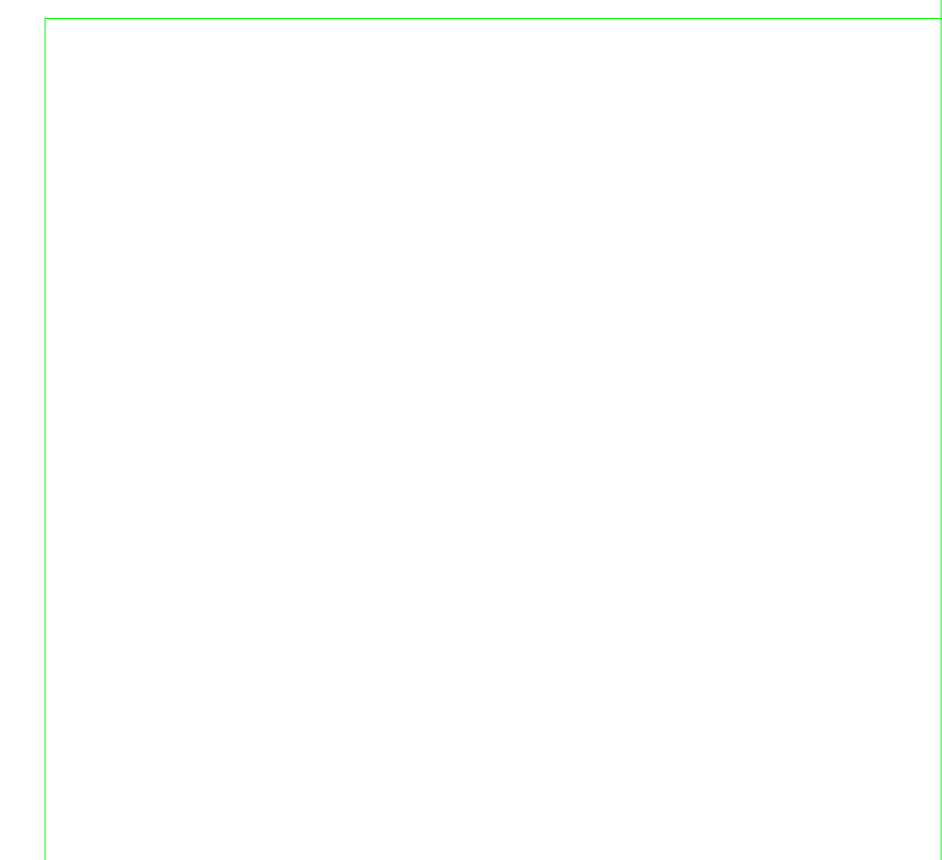
주 기

- 제품 기능상 유해한 BURR 및 변형등이 없을 것.
- 적용 상대 MALE TERMINAL : ST740672, 740673, 740674, 741101-3
- 제품내 함유된 6대 유해물질 (납,수은,카드뮴,6가크롬, PBBs, PBDEs)은 EU ELV 지침 및 RoHS 법규에서 지정한 최대 허용 농도를 초과해서는 안된다.

GENERAL TOLERANCE (TERMINAL)						USED ON
10 MAX	20 MAX	45 MAX	45 VR	ANGLE	ECCENT	
±0.2	±0.25	±0.3	±0.5	±30'	0.1	

NOTE

- MUST BE FREE OF BURR AND IMPERFECTION THAT AFFECT FUNCTION.
- APPLICABLE MALE TERMINAL : ST740672, 740673, 740674, 741101-3
- 6 HAZARDOUS SUBSTANCES IN PARTS (LEAD, MERCURY, CADMIUM, HEXAVALENT CHROMIUM, PBBs, PBDEs) SHALL NOT EXCEED THE MAXIMUM PERMISSIBLE CONCENTRATION PRESCRIBED UNDER EU ELV DIRECTIVE & RoHS REGULATION.



ISSUE MARK

		MATERIAL		BRASS		KET KOREA ELECTRIC TERMINAL CO., LTD.	
		FINISH		PRE-TIN			
		WIRE RANGE				CLASS 090	
		INSULATION				TYPE 090 DTC	
△ ECO-1110-011 근거 도면 재작성 (최수 현실화)		SSH JYS		2011.10.04		SCALE 5/1	
LTR REVISION RECORD		DR. SHIN.S.H. '07.10.25		CHK. J.Y.S 10/25		PART NO. ST731046, 1047, 1108-3	
CHK.		APP.		10/25		PART NAME 090 F TERMINAL - DTC (SS), (S), (M)	