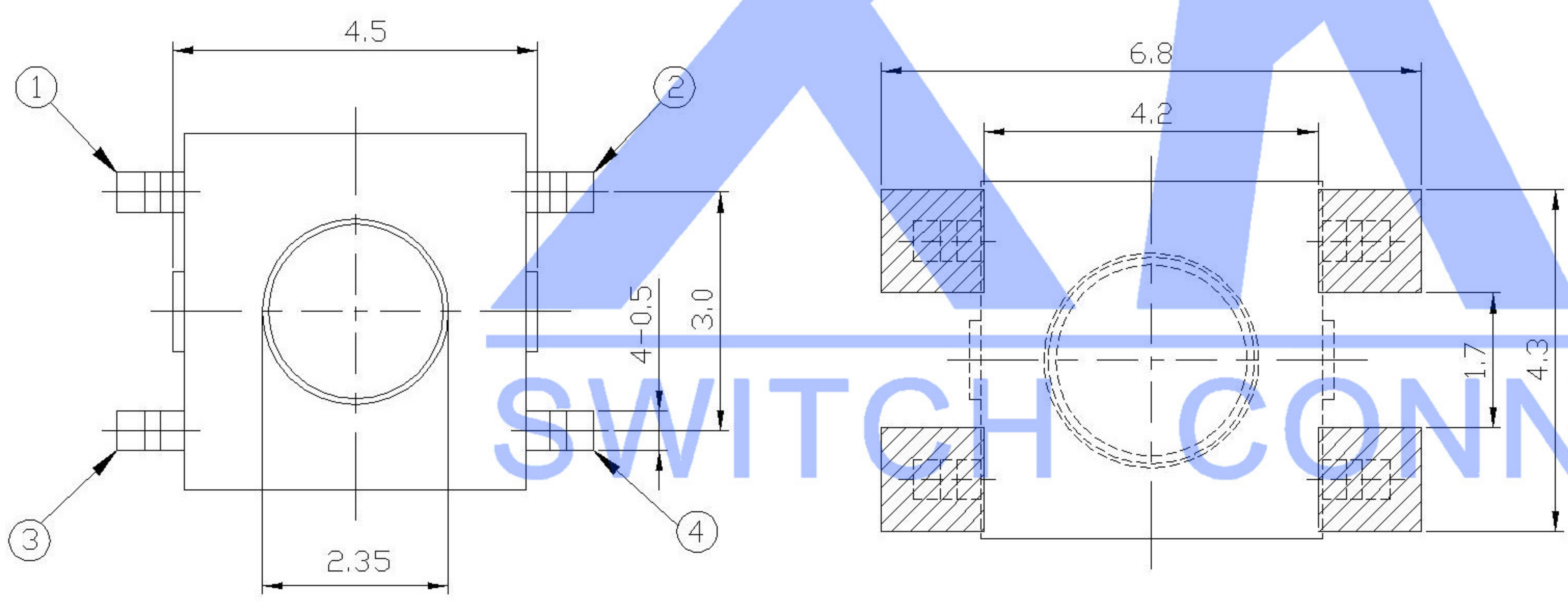


CIRCUIT DIAGRAM

SPECIFICATION

Contact Rating 50mA 12V DC
 Contact Resistance 100mΩ max.
 Insulation Resistance 100MΩ min. 500V DC
 Dielectric Strength 250V AC/1 minute
 Travel 0.25 mm
 Operating Temp. -25°C ~ +70°C
 Storage Temp. -30°C ~ +80°C

PAPT NO	TS-1127-X
Operating Force	A: 100gf B: 160gf C: 260gf
Height	H: 1.6



P.C.B LAND PATTERN

⑤	Terminal	—	4	Brass (0.30t)	ag Plated	—
④	Contact	—	1	F.ag/SUS	—	—
③	Base	—	1	PA46	Natural	—
②	Cover	—	1	Brass	Tin plated	—
①	Keystake	—	1	PA46	—	—
ITEM	PAPT NAMF	TER.NO	QTY	MATERIAL	FINISHING	REMARK

DSND		DATE		SCALE: N/A	MODEL TYPE: TACT SWITCH		
DWN		DATE		VIEW:	PART NO.:		
CHKD		DATE		UNIT: mm	DWG NO.:		
APPD		DATE		SIZE: A4	TS-1127-X		
				XKB INDUSTRIAL PRECISION CO., LIMITED	WEIGHT 1.0g	SHEET 1/1	REVISION A0

Δx					units: mm
Δx					tolerance:
Δx					X.X ±0.2mm
					X.XX ±0.1mm
					X.XXX ±0.05mm
MARK	DESCRIPTION	DATE	REVISED	APPROVED	UNSPECIFIED TOLERANCES
REVISIONS					
www.xk-dg.cn www.helloxkb.com www.helloxkb.cn					