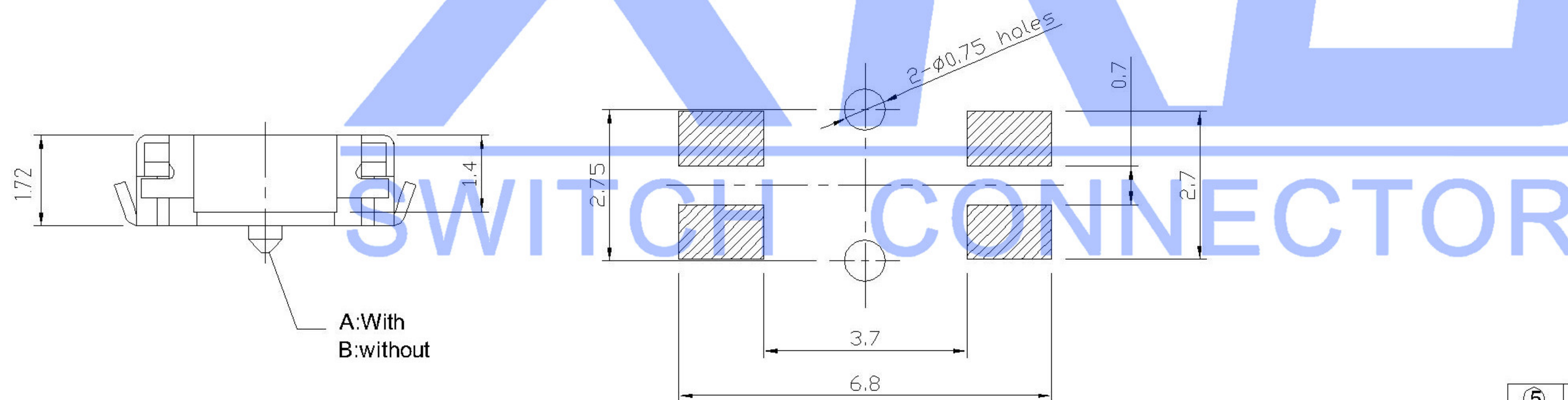


SPECIFICATION

Contact Rating	50mA 12V DC
Contact Resistance	100mΩ max.
Insulation Resistance	100MΩ min. 500V DC
Dielectric Strength	250V AC/1 minute
Travel	0.25 mm
Operating Temp.	-25°C +70°C
Storage Temp.	-30°C +80°C

P.C.B MOUNTING PATTERN DIMENSION



PAPT NO	TS-1186U-X-X
Operating Force	B: 160gf C: 260gf
Height	H: 4.5
Fixed column	A:With B:without

ITEM	PAPT NAME	TER. NO	QTY	MATERIAL	FINISHING	REMARK
⑤	Terminal	—	4	Brass (0.30t)	ag Plated	—
④	Contact	—	1	F.ag/SUS	—	—
③	Base	—	1	PA46	Natural	—
②	Cover	—	1	Brass	Tin plated	—
①	Keystake	—	1	PA46	—	—

MARK	DESCRIPTION	DATE	REVISED	APPROVED	UNSPECIFIED TOLERANCES	DSND	DATE	SCALE: N/A	MODEL TYPE: TACT SWITCH
△X					units: mm	DWN	DATE	VIEW:	PART NO.:
△X					tolerance: X.X ±0.2mm	CHKD	DATE	UNIT: mm	DWG NO.:
△X					X.XX ±0.1mm	APPD	DATE	SIZE: A4	TS-1186U-X-X
MARK					X.XXX ±0.05mm	KKB INDUSTRIAL PRECISION CO., LIMITED			WEIGHT SHEET REVISION
REVISIONS									1.0g 1/1 A0
www.xk-dg.cn www.helloxkb.com www.helloxkb.cn									