

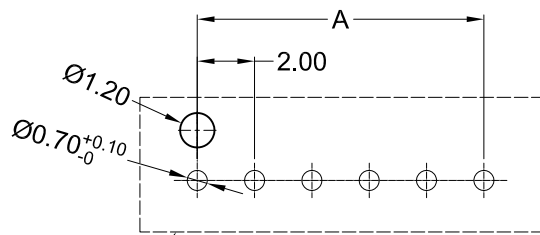
Specifications :

- Voltage rating: 100V AC / DC
- Current rating: 2A AC / DC
- Withstanding voltage: 800V AC/minute
- Temperature range: -25°C~+85°C
- Insulation resistance: ≥1000MΩ
- Contact resistance: ≤10mΩ
- After environmental testing: ≤20mΩ

X2016 W V X-XX S-LP SN XX

① ② ③ ④ ⑤ ⑥ ⑦ ⑧ ⑨

- ① Series No.
- ② Category: W-WAFER
- ③ Welding Board Angle: V-Straight 180°
- ④ Welding Way: Blank-DIP
- ⑤ Row No.-Pin No.: XX-02P~20P
- ⑥ Plug the Pin & Special No.: Blank-Without Kink,S-With Post ;
- ⑦ Material: LP-LCP 94V-0 ;
- ⑧ Plating Category: SN-Bright Tin Plating
- ⑨ Color : Blank-Natural Color ;



Recommended P.C.B Layout
General Tolerance±0.05

Poles	Dimensions (mm)			Poles	Dimensions (mm)			Poles	Dimensions (mm)		
	A	B	C		A	B	C		A	B	C
02	2.00	6.00	5.00	09	16.00	20.00	19.00	16	30.00	34.00	33.00
03	4.00	8.00	7.00	10	18.00	22.00	21.00	17	32.00	36.00	35.00
04	6.00	10.00	9.00	11	20.00	24.00	23.00	18	34.00	38.00	37.00
05	8.00	12.00	11.00	12	22.00	26.00	25.00	19	36.00	40.00	39.00
06	10.00	14.00	13.00	13	24.00	28.00	27.00	20	38.00	42.00	41.00
07	12.00	16.00	15.00	14	26.00	30.00	29.00				
08	14.00	18.00	17.00	15	28.00	32.00	31.00				

X2016WV-XXS-LPSN	LCP UL 94V-0	Brass	Tin-Plated	X2016H
PART NO	Material	Material(Pin)	Finish(Pin)	Suitable XKB Terminal

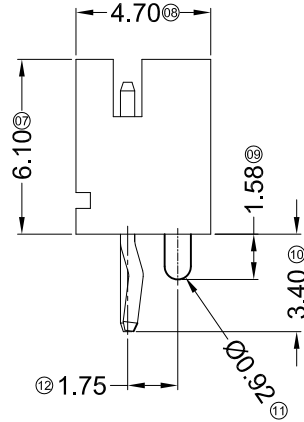
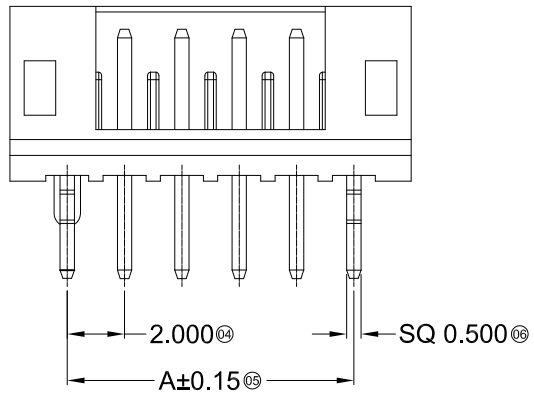
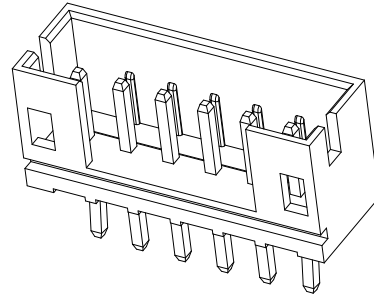
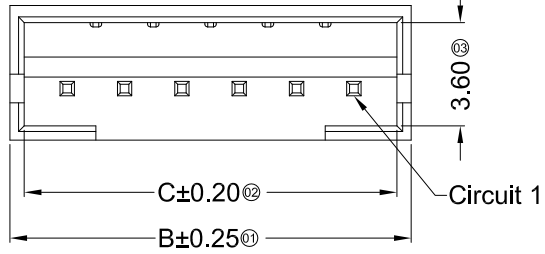
For and on behalf of
XKB INDUSTRIAL PRECISION CO., LIMITED
香港星坤工業精密有限公司

△ X					ANGULAR	±5°
△ X					L ≤ 4	±0.2
△ X					4 < L ≤ 16	±0.3
△ X					16 < L ≤ 63	±0.4
MARK	DESCRIPTION	DATE	REVISED	APPROVED	L > 63	±0.5

REVISIONS
Authorized Signature(s)

DSND		DATE		SCALE: N/A	MODEL TYPE: X2016WV-XXS-LPSN
DWN		DATE		VIEW:	PART NO.:
CHKD		DATE		UNIT: mm	2.00 mm Crimp Style Connectors
APPD		DATE		SIZE: A4	DWG NO.:
					WEIGHT 1.0g
					SHEET 1/1
					REVISION A0

XKB INDUSTRIAL PRECISION CO., LIMITED



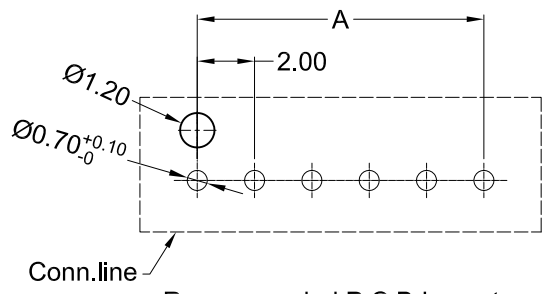
Specifications :

- Voltage rating: 100V AC / DC
- Current rating: 2A AC / DC
- Withstanding voltage: 800V AC/minute
- Temperature range: -25°C~+85°C
- Insulation resistance: ≥1000MΩ
- Contact resistance: ≤10mΩ
- After environmental testing: ≤20mΩ

X2016 W V X-XX KS-4T SN XX

① ② ③ ④ ⑤ ⑥ ⑦ ⑧ ⑨

- ① Series No.
- ② Category: W-WAFER
- ③ Welding Board Angle: V-Straight 180°
- ④ Welding Way: Blank-DIP
- ⑤ Row No.-Pin No.: XX-02P~20P
- ⑥ Plug the Pin & Special No.: K-With Kink, S-With Post ;
- ⑦ Material: 4T-PA4T 94V-0 ;
- ⑧ Plating Category: SN-Bright Tin Plating
- ⑨ Color : Blank-Natural Color ;



Recommended P.C.B Layout
General Tolerance±0.05

Poles	Dimensions (mm)			Poles	Dimensions (mm)			Poles	Dimensions (mm)		
	A	B	C		A	B	C		A	B	C
02	2.00	6.00	5.00	09	16.00	20.00	19.00	16	30.00	34.00	33.00
03	4.00	8.00	7.00	10	18.00	22.00	21.00	17	32.00	36.00	35.00
04	6.00	10.00	9.00	11	20.00	24.00	23.00	18	34.00	38.00	37.00
05	8.00	12.00	11.00	12	22.00	26.00	25.00	19	36.00	40.00	39.00
06	10.00	14.00	13.00	13	24.00	28.00	27.00	20	38.00	42.00	41.00
07	12.00	16.00	15.00	14	26.00	30.00	29.00				
08	14.00	18.00	17.00	15	28.00	32.00	31.00				

X2016WV-XXKS-4TSN	LCP UL 94V-0	Brass	Tin-Plated	X2016H
PART NO	Material	Material(Pin)	Finish(Pin)	Suitable XKB Terminal

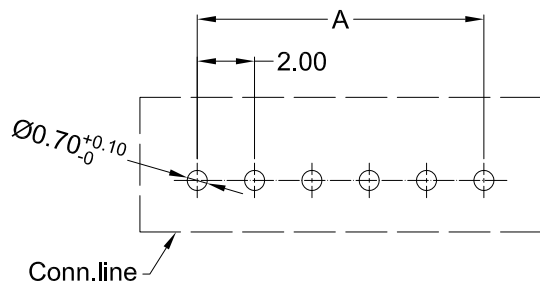
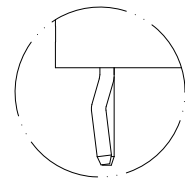
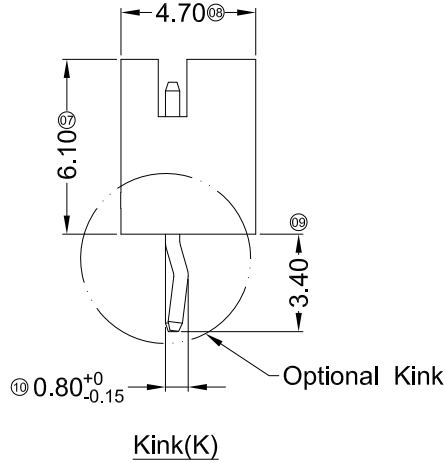
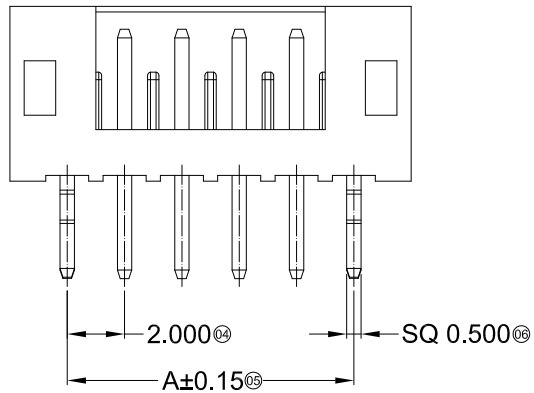
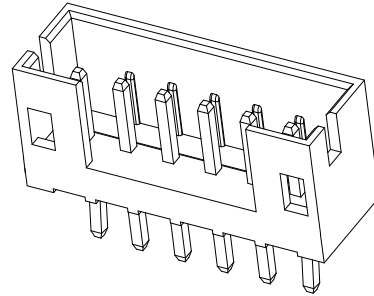
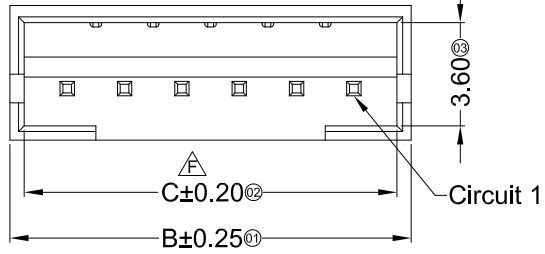
For and on behalf of
XKB INDUSTRIAL PRECISION CO., LIMITED
香港星坤工業精密有限公司

△ X					ANGULAR	±5°
△ X					L ≤ 4	±0.2
△ X					4 < L ≤ 16	±0.3
△ X					16 < L ≤ 63	±0.4
MARK	DESCRIPTION	DATE	REVISED	APPROVED	L > 63	±0.5
					UNSPECIFIED TOLERANCES	

DSND		DATE		SCALE: N/A	MODEL TYPE: 2016WV-XXKS-4TSN
DWN		DATE		VIEW:	PART NO.:
CHKD		DATE		UNIT: mm	2.00 mm Crimp Style Connectors
APPD		DATE		SIZE: A4	DWG NO.:
					WEIGHT
					1.0g
					SHEET
					1/1
					REVISION
					A0

XKB INDUSTRIAL PRECISION CO., LIMITED

Authorized Signature(s)



Recommended P.C.B Layout
General Tolerance±0.05

■ Specifications :

- Voltage rating: 100V AC / DC
- Current rating: 2A AC / DC
- Withstanding voltage: 800V AC/minute
- Temperature range: -25°C~+85°C
- Insulation resistance: ≥1000MΩ
- Contact resistance: ≤10mΩ
- After environmental testing: ≤20mΩ

X2016 W V X-XX KX -N0 SN XX
① ② ③ ④ ⑤ ⑥ ⑦ ⑧ ⑨

- ① Series No.
- ② Category: W-WAFER
- ③ Welding Board Angle: V-Straight 180°
- ④ Welding Way: Blank-DIP
- ⑤ Row No.-Pin No.: XX-02P~20P
- ⑥ Plug the Pin & Special No.: K-Kink ; K1- Reverse Kink ;
- ⑦ Material: 46 -PA46 94V-0 ; N0-PA66 94V-0
- ⑧ Plating Category: SN-Bright Tin Plating ; V01-Gold Flash
- ⑨ Color : Blank-Natural Color ; GY-Gray

Poles	Dimensions (mm)			Poles	Dimensions (mm)			Poles	Dimensions (mm)		
	A	B	C		A	B	C		A	B	C
02	2.00	6.00	4.80	09	16.00	20.00	18.80	16	30.00	34.00	32.80
03	4.00	8.00	6.80	10	18.00	22.00	20.80	17	32.00	36.00	34.80
04	6.00	10.00	8.80	11	20.00	24.00	22.80	18	34.00	38.00	36.80
05	8.00	12.00	10.80	12	22.00	26.00	24.80	19	36.00	40.00	38.80
06	10.00	14.00	12.80	13	24.00	28.00	26.80	20	38.00	42.00	40.80
07	12.00	16.00	14.80	14	26.00	30.00	28.80				
08	14.00	18.00	16.80	15	28.00	32.00	30.80				

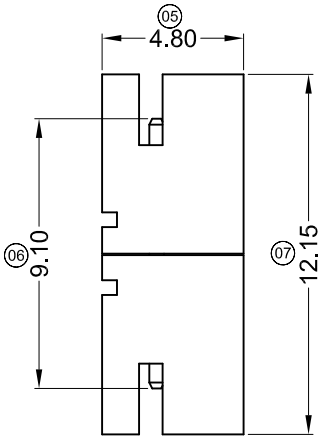
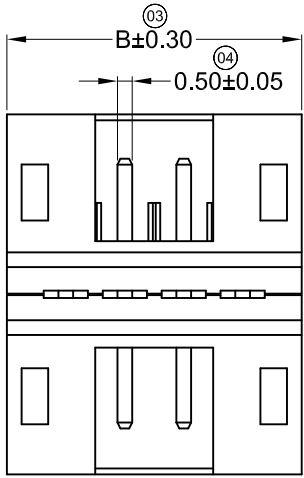
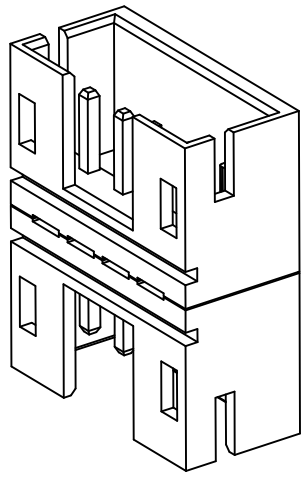
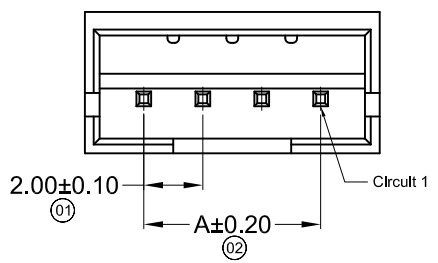
X2016WV-XXKX-46SNGY	Nylon 46 UL 94V-0 Gray	Brass	Tin-Plated	X2016H
X2016WV-XXKX-N0V01	Nylon 66 UL 94V-0		Gold-Flash	
X2016WV-XXKX-N0SN			Tin-Plated	
PART NO	Material	Material(Pin)	Finish(Pin)	Suitable XKB Terminal

For and on behalf of
XKB INDUSTRIAL PRECISION CO., LIMITED
香港星坤工業精密有限公司

△ X					ANGULAR	±5°
△ X					L ≤ 4	±0.2
△ X					4 < L ≤ 16	±0.3
△ X					16 < L ≤ 63	±0.4
MARK	DESCRIPTION	DATE	REVISED	APPROVED	L > 63	±0.5
REVISIONS					UNSPECIFIED TOLERANCES	

DSND		DATE		SCALE: N/A	MODEL TYPE: X2016WV-XXKX-XXXXX	
DWN		DATE		VIEW:	PART NO.:	
CHKD		DATE		UNIT: mm	2.00 mm Crimp Style Connectors	
APPD		DATE		SIZE: A4	DWG NO.:	
				WEIGHT	SHEET	REVISION
				1.0g	1/1	A0

XKB INDUSTRIAL PRECISION CO., LIMITED



Specifications :

- Voltage rating: 100V AC / DC
- Current rating: 2A AC / DC
- Withstanding voltage: 800V AC/minute
- Temperature range: -25°C~+85°C
- Insulation resistance: ≥1000MΩ
- Contact resistance: ≤10mΩ
- After environmental testing: ≤20mΩ

X2016 W V X-XX H2 -N0 SN XX
 ① ② ③ ④ ⑤ ⑥ ⑦ ⑧ ⑨

- ① Series No.
- ② Category: W-WAFER
- ③ Welding Board Angle: V-180° ; R-90°
- ④ Welding Way: Blank-DIP ; S-SMT
- ⑤ Row No.-Pin No.: XX-Single Row ; 2*XX-Double Row
- ⑥ Plug the Pin & Special No. : H2- Double sided insert
- ⑦ Material: N0 -PA66 94V-0 ; 6T-PA6T 94V-0 ; 46-PA46
- ⑧ Plating Category: G**-Gold Plated Contact
 V**- All Gold-Plated
 01-Gold Flash 02-2u" 03-3u"
 05-5u" 10-10u" 15-15u"
 SN1-Bright Tin Plating (70-120u")
 SN1-Bright Tin Plating (120u" Min).
 0-No Plating Material
 SW- Fog Tin Plating
 HS-Hight temperature Tin
- ⑨ Color : Blank-Natural Color

Poles	Dimensions (mm)	
	A	B
02	2.00	6.00
03	4.00	8.00
04	6.00	10.00
05	8.00	12.00
06	10.00	14.00
07	12.00	16.00
08	14.00	18.00
09	16.00	20.00
10	18.00	22.00
11	20.00	24.00
12	22.00	26.00
13	24.00	28.00
14	26.00	30.00
15	28.00	32.00
16	30.00	34.00
17	32.00	36.00
18	34.00	38.00
19	36.00	40.00
20	38.00	42.00

X2016WV-XXH2-N0SN	Nylon 66 UL 94V-0	Brass	Tin-Plated	X2016H	1,000Pcs
PART NO	Material	Material(Pin)	Finish(Pin)	Suitable XKB Terminal	Q'ty/Bag

For and on behalf of
XKB INDUSTRIAL PRECISION CO., LIMITED
 香港星坤工業精密有限公司

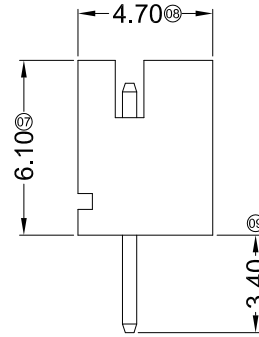
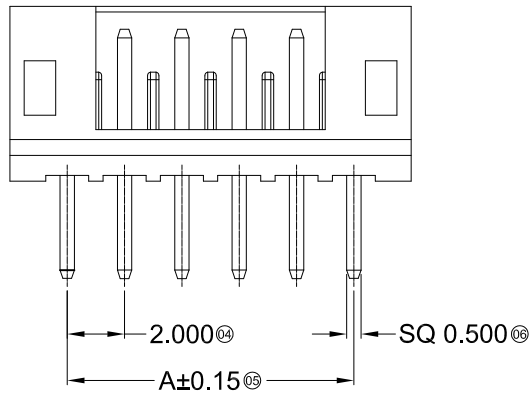
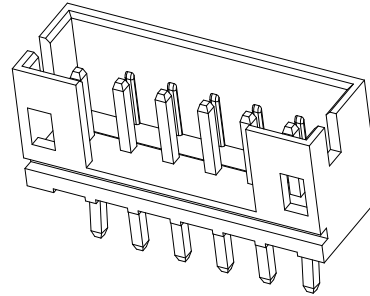
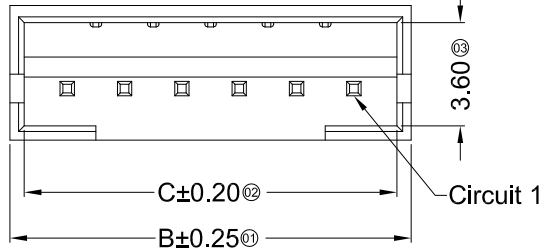
MARK	DESCRIPTION	DATE	REVISED	APPROVED	UNSPECIFIED TOLERANCES
△ X					ANGULAR ±5°
△ X					L ≤ 4 ±0.2
△ X					4 < L ≤ 16 ±0.3
					16 < L ≤ 63 ±0.4
					L > 63 ±0.5

DSND	DATE	SCALE: N/A	MODEL TYPE: 2016WV-XXH2-N0SN
DWN	DATE	VIEW:	PART NO.:
CHKD	DATE	UNIT: mm	2.00 mm Crimp Style Connector
APPD	DATE	SIZE: A4	DWG NO.:

WEIGHT	SHEET	REVISION
1.0g	1/1	A0

REVISIONS
 Authorized Signature(s)

XKB INDUSTRIAL PRECISION CO., LIMITED

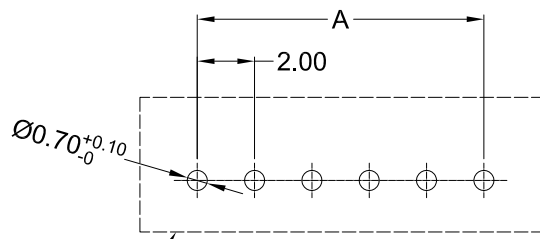


■ Specifications :

- Voltage rating: 100V AC / DC
- Current rating: 2A AC / DC
- Withstanding voltage: 800V AC/minute
- Temperature range: -25°C~+85°C
- Insulation resistance: ≥1000MΩ
- Contact resistance: ≤10mΩ
- After environmental testing: ≤20mΩ

X2016 W V X-XX XX -N0 SN XX
 ① ② ③ ④ ⑤ ⑥ ⑦ ⑧ ⑨

- ① Series No.
- ② Category: W-WAFER
- ③ Welding Board Angle: V-Straight 180°
- ④ Welding Way: Blank-DIP
- ⑤ Row No.-Pin No.: XX-02P~20P
- ⑥ Plug the Pin & Special No.: Blank-Without Kink
- ⑦ Material: 46 -PA46 94V-0 ; N0-PA66 94V-0 ; 6T-PA6T 94V-0
- ⑧ Plating Category: SN-Bright Tin Plating
- ⑨ Color : Blank-Natural Color ; GY-Gray



Recommended P.C.B Layout
 General Tolerance ±0.05

Poles	Dimensions (mm)			Poles	Dimensions (mm)			Poles	Dimensions (mm)		
	A	B	C		A	B	C		A	B	C
02	2.00	6.00	5.00	09	16.00	20.00	19.00	16	30.00	34.00	33.00
03	4.00	8.00	7.00	10	18.00	22.00	21.00	17	32.00	36.00	35.00
04	6.00	10.00	9.00	11	20.00	24.00	23.00	18	34.00	38.00	37.00
05	8.00	12.00	11.00	12	22.00	26.00	25.00	19	36.00	40.00	39.00
06	10.00	14.00	13.00	13	24.00	28.00	27.00	20	38.00	42.00	41.00
07	12.00	16.00	15.00	14	26.00	30.00	29.00				
08	14.00	18.00	17.00	15	28.00	32.00	31.00				

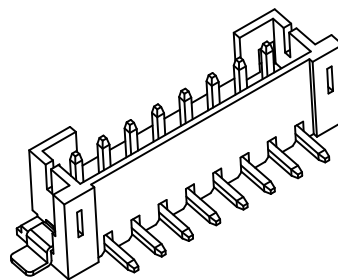
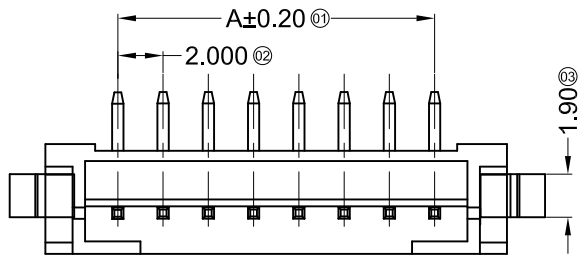
X2016WV-XX-6TSN	Nylon 6T UL94V-0	Brass	Tin-Plated	X2016H
X2016WV-XX-46SN	Nylon 46 UL 94V-0			
X2016WV-XX-N0SN	Nylon 66 UL 94V-0			
PART NO	Material	Material(Pin)	Finish(Pin)	Suitable XKB Terminal

For and on behalf of
XKB INDUSTRIAL PRECISION CO., LIMITED
香港星坤工業精密有限公司

△ X					ANGULAR	±5°
△ X					L ≤ 4	±0.2
△ X					4 < L ≤ 16	±0.3
△ X					16 < L ≤ 63	±0.4
MARK	DESCRIPTION	DATE	REVISED	APPROVED	L > 63	±0.5
					UNSPECIFIED TOLERANCES	

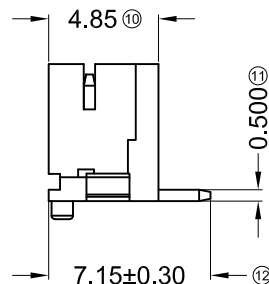
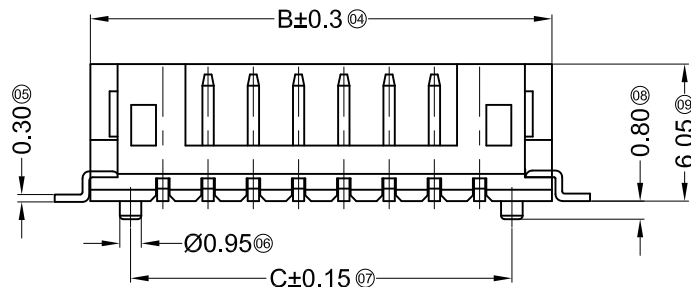
DSND		DATE		SCALE: N/A	MODEL TYPE: X2016WV-XX-XXSN	
DWN		DATE		VIEW:	PART NO.:	
CHKD		DATE		UNIT: mm	2.00 mm Crimp Style Connectors	
APPD		DATE		SIZE: A4	DWG NO.:	
				WEIGHT	SHEET	REVISION
				1.0g	1/1	A0

XKB INDUSTRIAL PRECISION CO., LIMITED



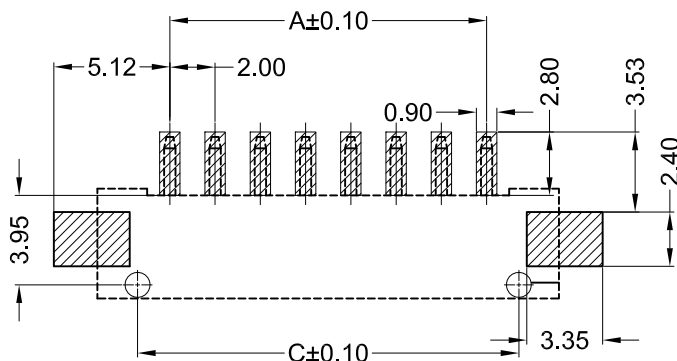
Specifications :

- Voltage rating: 100V AC / DC
- Current rating: 2A AC / DC
- Withstanding voltage: 800V AC/minute
- Temperature range: -25°C~+85°C
- Insulation resistance: ≥1000MΩ
- Contact resistance: ≤10mΩ
- After environmental testing: ≤20mΩ



X2016 W V S-XX S -46 SN XX
 ① ② ③ ④ ⑤ ⑥ ⑦ ⑧ ⑨

- ① Series No.
- ② Category: W-WAFER
- ③ Welding Board Angle: V-Straight 180°
- ④ Welding Way: S-SMT
- ⑤ Row No.-Pin No.: XX-02P~20P
- ⑥ Plug the Pin & Special No.:
S-With positioning column
- ⑦ Material: 46 -PA46 94V-0;
- ⑧ Plating Category: SN-Bright Tin Plating
- ⑨ Color : Blank-Natural Color



Recommended P.C.B Layout
 General Tolerance±0.05

Poles	Dimensions (mm)			Poles	Dimensions (mm)		
	A	B	C		A	B	C
02	2.00	8.40	4.85	09	16.00	22.40	18.85
03	4.00	10.40	6.85	10	18.00	24.40	20.85
04	6.00	12.40	8.85	11	20.00	26.40	22.85
05	8.00	14.40	10.85	12	22.00	28.40	24.85
06	10.00	16.40	12.85	13	24.00	30.40	26.85
07	12.00	18.40	14.85	14	26.00	32.40	28.85
08	14.00	20.40	16.85	15	28.00	34.40	30.85

X2016WVS-XXS-46SN	PA46 UL 94V-0	Brass	Tin-Plated	X2016H
PART NO	Material	Material(Pin and Solder Tabs)	Finish(Pin and Solder Tabs)	Suitable XKB Terminal

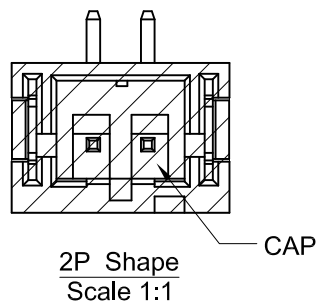
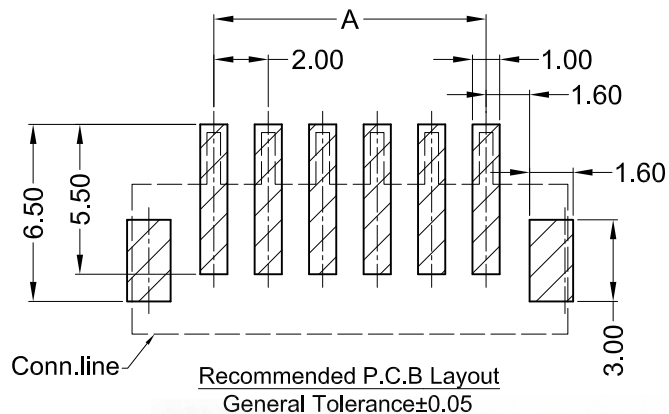
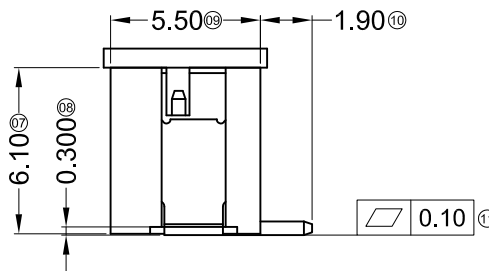
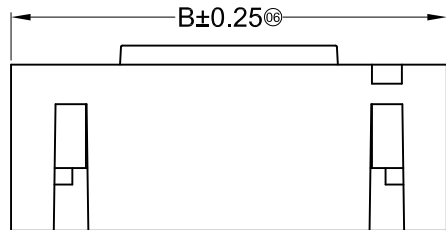
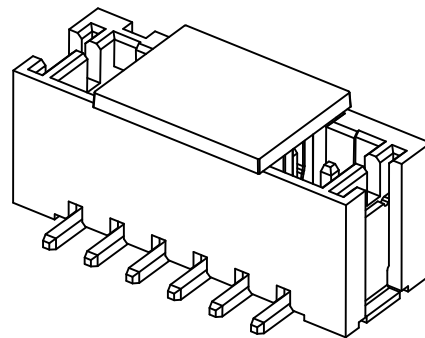
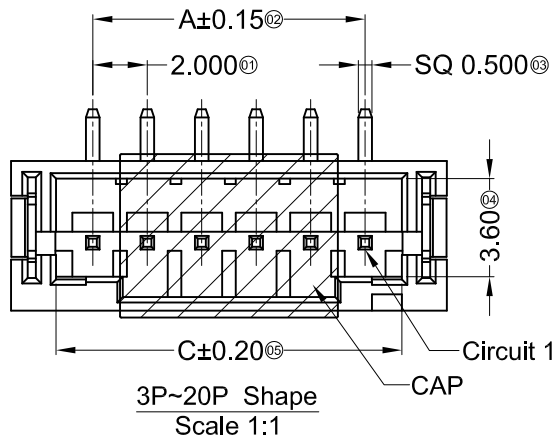
For and on behalf of
XKB INDUSTRIAL PRECISION CO., LIMITED
 香港星坤工業精密有限公司

△ X
 △ X
 △ X
 MARK

DESCRIPTION	DATE	REVISED	APPROVED	UNSPECIFIED TOLERANCES
REVISIONS				
Authorized Signature(s)				

DSND	DATE	SCALE: N/A	MODEL TYPE: X2016WVS-XXS-46SN
DWN	DATE	VIEW:	PART NO.:
CHKD	DATE	UNIT: mm	2.00 mm Crimp Style Connectors
APPD	DATE	SIZE: A4	DWG NO.:
			WEIGHT 1.0g
			SHEET 1/1
			REVISION A0

XKB INDUSTRIAL PRECISION CO., LIMITED



Specifications :

- Voltage rating: 100V AC / DC
- Current rating: 2A AC / DC
- Withstanding voltage: 800V AC/minute
- Temperature range: -25°C~+85°C
- Insulation resistance: ≥1000MΩ
- Contact resistance: ≤10mΩ
- After environmental testing: ≤20mΩ

X2016 W V S-XX X -XX XXX XX
① ② ③ ④ ⑤ ⑥ ⑦ ⑧ ⑨

- ① Series No.
- ② Category: W-WAFER
- ③ Welding Board Angle: V-Straight 180°
- ④ Welding Way: S-SMT
- ⑤ Row No.-Pin No.: XX-02P~20P
- ⑥ Plug the Pin & Special No.
- ⑦ Material: LP -LCP 94V-0; 9T -PA9T 94V-0
- ⑧ Plating Category: SW-Matte Tin Plating; V01- Gold Flash
- ⑨ Color : HF-Halogen Free;

Poles	Dimensions (mm)			Poles	Dimensions (mm)			Poles	Dimensions (mm)		
	A	B	C		A	B	C		A	B	C
02	2.00	8.00	4.70	09	16.00	22.00	18.70	16	30.00	36.00	32.70
03	4.00	10.00	6.70	10	18.00	24.00	20.70	17	32.00	38.00	34.70
04	6.00	12.00	8.70	11	20.00	26.00	22.70	18	34.00	40.00	36.70
05	8.00	14.00	10.70	12	22.00	28.00	24.70	19	36.00	42.00	38.70
06	10.00	16.00	12.70	13	24.00	30.00	26.70	20	38.00	44.00	40.70
07	12.00	18.00	14.70	14	26.00	32.00	28.70				
08	14.00	20.00	16.70	15	28.00	34.00	30.70				

PART NO	Material	Material(Pin)	Finish(Pin)	Material (Solder Tabs)	Finish (Solder Tabs)	Suitable XKB Terminal
X2016WVS-XX-LPSWHF	LCP UL 94V-0 Halogen Free		Tin-Plated		Tin-Plated	X2016H
X2016WVS-XX-LPSW	LCP UL 94V-0	Brass	Matte Tin-Plated	Phosphor Bronze	Matte Tin-Plated	
X2016WVS-XX-9TV01			Gold-Flash		Gold-Flash	
X2016WVS-XX-9TSW	PA9T UL 94V-0		Matte Tin-Plated		Matte Tin-Plated	

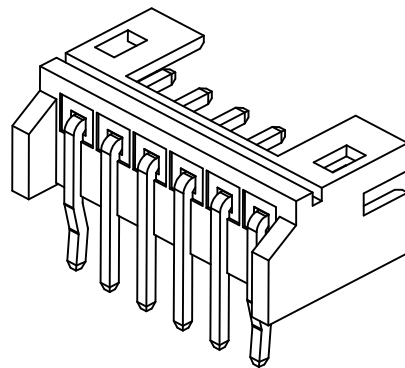
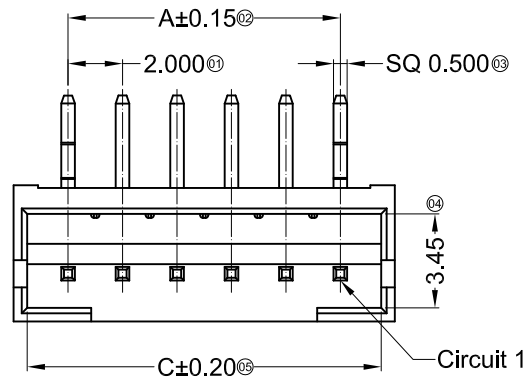
For and on behalf of
XKB INDUSTRIAL PRECISION CO., LIMITED
香港星坤工業精密有限公司

MARK	DESCRIPTION	DATE	REVISED	APPROVED	UNSPECIFIED TOLERANCES
△ X					ANGULAR ±5°
△ X					L ≤ 4 ±0.2
△ X					4 < L ≤ 16 ±0.3
△ X					16 < L ≤ 63 ±0.4
MARK					L > 63 ±0.5

DSND	DATE	SCALE: N/A	MODEL TYPE:
DWN	DATE <td>VIEW: </td> <td>2016WVS-XX-XXXXXXX</td>	VIEW:	2016WVS-XX-XXXXXXX
CHKD	DATE <td>UNIT: mm</td> <td>PART NO.:</td>	UNIT: mm	PART NO.:
APPD	DATE <td>SIZE: A4</td> <td>2.00mm Crimp Style Connectors</td>	SIZE: A4	2.00mm Crimp Style Connectors
			DWG NO.:
			WEIGHT 1.0g
			SHEET 1/1
			REVISION A0

XKB INDUSTRIAL PRECISION CO., LIMITED

Authorized Signature(s)

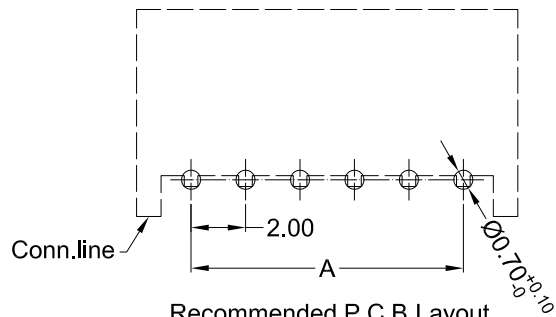
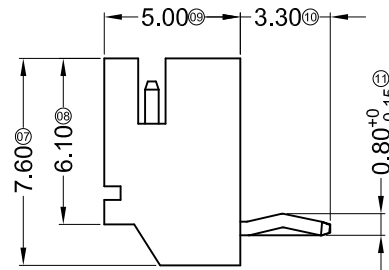
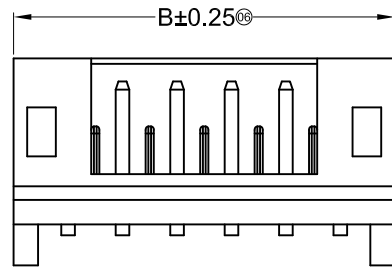


■ Specifications :

- Voltage rating: 100V AC / DC
- Current rating: 2A AC / DC
- Withstanding voltage: 800V AC/minute
- Temperature range: -25°C~+85°C
- Insulation resistance: ≥1000MΩ
- Contact resistance: ≤10mΩ
- After environmental testing: ≤20mΩ

X2016 W R X-XX K -N0 SN XX
 ① ② ③ ④ ⑤ ⑥ ⑦ ⑧ ⑨

- ① Series No.
- ② Category: W-WAFER
- ③ Welding Board Angle: R-Right Angle 90°
- ④ Welding Way: Blank-DIP
- ⑤ Row No.-Pin No.: XX-02P~20P
- ⑥ Plug the Pin & Special No.: K-Kink, DIP=3.30mm
- ⑦ Material: N0-PA66 94V-0
- ⑧ Plating Category: SN-Bright Tin Plating
- ⑨ Color : Blank-Natural Color;



Recommended P.C.B Layout
 General Tolerance±0.05

Poles	Dimensions (mm)			Poles	Dimensions (mm)			Poles	Dimensions (mm)		
	A	B	C		A	B	C		A	B	C
02	2.00	6.00	5.00	09	16.00	20.00	19.00	16	30.00	34.00	33.00
03	4.00	8.00	7.00	10	18.00	22.00	21.00	17	32.00	36.00	35.00
04	6.00	10.00	9.00	11	20.00	24.00	23.00	18	34.00	38.00	37.00
05	8.00	12.00	11.00	12	22.00	26.00	25.00	19	36.00	40.00	39.00
06	10.00	14.00	13.00	13	24.00	28.00	27.00	20	38.00	42.00	41.00
07	12.00	16.00	15.00	14	26.00	30.00	29.00				
08	14.00	18.00	17.00	15	28.00	32.00	31.00				

X2016WR-XXK-N0SN	Nylon 66 UL 94V-0	Brass	Tin-Plated	X2016H
PART NO	Material	Material(Pin)	Finish(Pin)	Suitable XKB Terminal

For and on behalf of
XKB INDUSTRIAL PRECISION CO., LIMITED
 香港星坤工業精密有限公司

△ X
 △ X
 △ X
 MARK

DESCRIPTION

DATE

REVISED

APPROVED

REVISIONS

Authorized Signature(s)

ANGULAR ±5°
 L ≤ 4 ±0.2
 4 < L ≤ 16 ±0.3
 16 < L ≤ 63 ±0.4
 L > 63 ±0.5

UNSPECIFIED TOLERANCES

DSND	DATE	SCALE: N/A	MODEL TYPE:
DWN	DATE	VIEW:	2016WR-XXK-N0SN
CHKD	DATE	UNIT: mm	PART NO.:
APPD	DATE	SIZE: A4	2.00mm Crimp Style Connectors
			DWG NO.:
			WEIGHT
			1.0g
			SHEET
			1/1
			REVISION
			A0

XKB INDUSTRIAL PRECISION CO., LIMITED

Specifications :

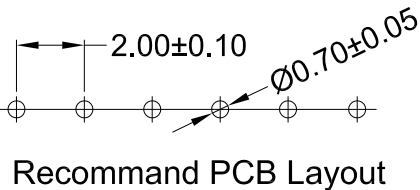
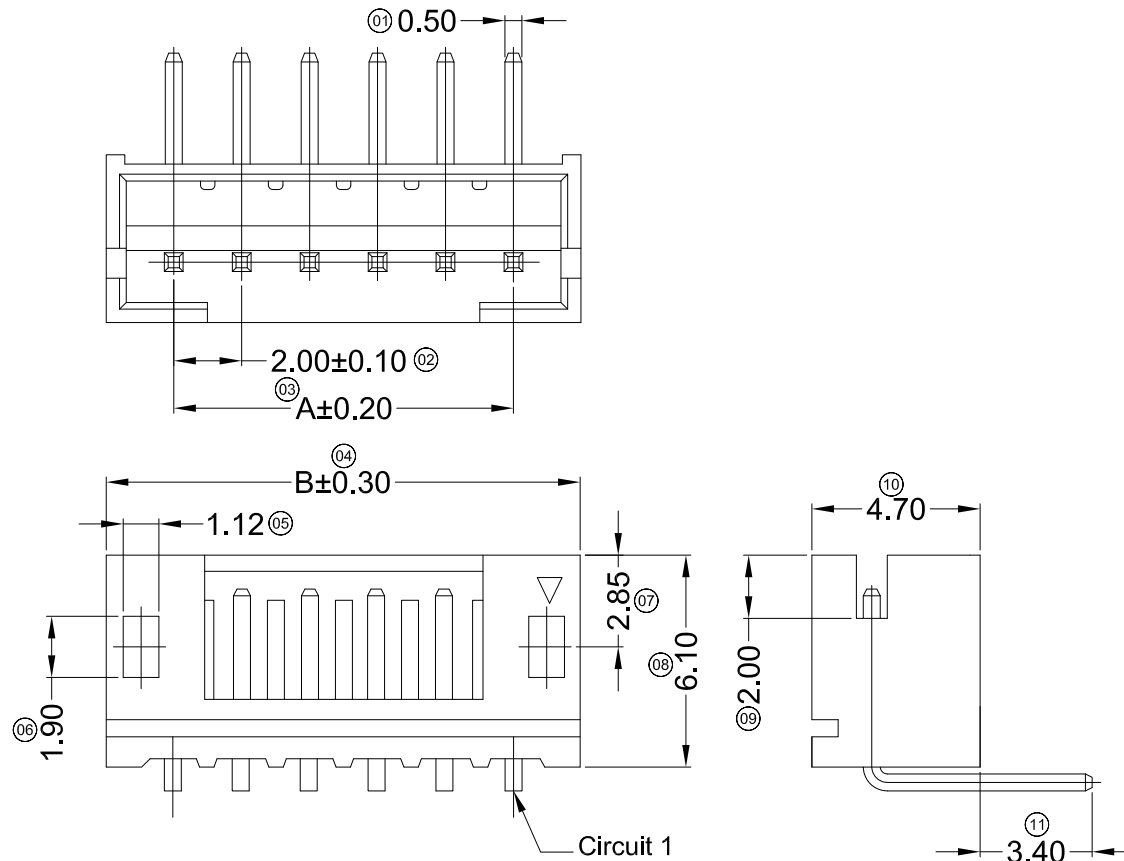
- Voltage rating: 100V AC / DC
- Current rating: 2A AC / DC
- Withstanding voltage: 800V AC/minute
- Temperature range: -25°C~+85°C
- Insulation resistance: ≥1000MΩ
- Contact resistance: ≤10mΩ
- After environmental testing: ≤20mΩ

Poles	Dimensions (mm)	
	A	B
02	2.00	6.00
03	4.00	8.00
04	6.00	10.00
05	8.00	12.00
06	10.00	14.00
07	12.00	16.00
08	14.00	18.00
09	16.00	20.00
10	18.00	22.00
11	20.00	24.00
12	22.00	26.00
13	24.00	28.00
14	26.00	30.00
15	28.00	32.00
16	30.00	34.00
17	32.00	36.00
18	34.00	38.00
19	36.00	40.00
20	38.00	42.00

X2016 W R X-XX B -N0 SN XX

① ② ③ ④ ⑤ ⑥ ⑦ ⑧ ⑨

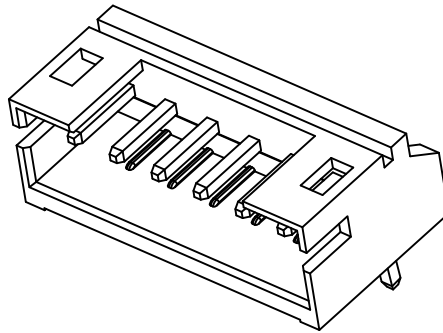
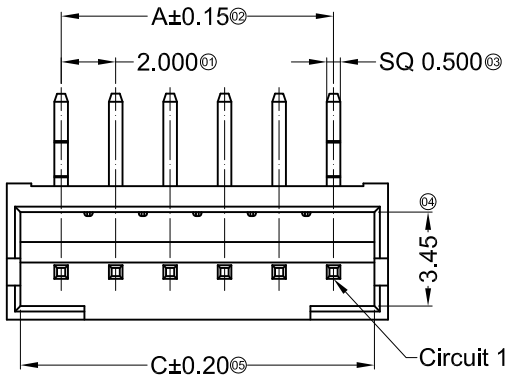
- ① Series No.
- ② Category: W-WAFER
- ③ Welding Board Angle: V-180° ; R-90°
- ④ Welding Way: Blank-DIP ; S-SMT
- ⑤ Row No.-Pin No.: XX-Single Row ; 2*XX-Double Row
- ⑥ Plug the Pin & Special No. :
B-With Groove ; Without Link Stopper
- ⑦ Material: N0 -PA66 94V-0
- ⑧ Plating Category: G**-Gold Plated Contact
V**- All Gold-Plated
01-Gold Flash 02-2u" 03-3u"
05-5u" 10-10u" 15-15u"
SN-Bright Tin Plating (70-120u")
SN1-Bright Tin Plating (120u" Min).
0-No Plating Material
SW- Fog Tin Plating
HS-Hight temperature Tin
- ⑨ Color : Blank-Natural Color



X2016WR-XXB-N0SN	Nylon 66 UL 94V-0	Brass	Tin-Plated	X2016H	1,000Pcs
PART NO	Material	Material(Pin)	Finish(Pin)	Suitable XKB Terminal	Q'ty/Bag

For and on behalf of
XKB INDUSTRIAL PRECISION CO., LIMITED
香港星坤工業精密有限公司

MARK	DESCRIPTION	DATE	REVISED	APPROVED	UNSPECIFIED TOLERANCES	DSND	DATE	SCALE: N/A	MODEL TYPE: X2016WR-XXB-N0SN		
△ X					ANGULAR ±5°	DWN	DATE	VIEW:	PART NO.:		
△ X					L ≤ 4 ±0.2	CHKD	DATE	UNIT: mm	2.00 mm Crimp Style Connector		
△ X					4 < L ≤ 16 ±0.3	APPD	DATE	SIZE: A4	DWG NO.:		
△ X					16 < L ≤ 63 ±0.4						
△ X					L > 63 ±0.5						
REVISIONS						XKB INDUSTRIAL PRECISION CO., LIMITED			WEIGHT	SHEET	REVISION
Authorized Signature(s)									1.0g	1/1	A0

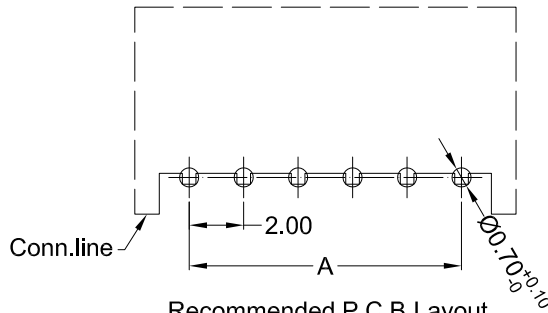
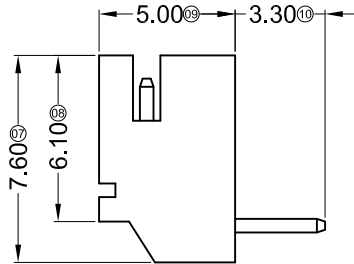
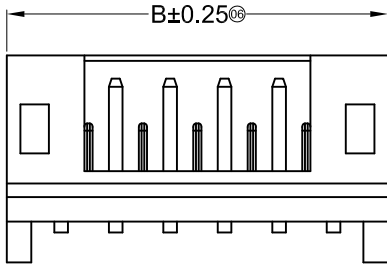


Specifications :

- Voltage rating: 100V AC / DC
- Current rating: 2A AC / DC
- Withstanding voltage: 800V AC/minute
- Temperature range: -25°C~+85°C
- Insulation resistance: ≥1000MΩ
- Contact resistance: ≤10mΩ
- After environmental testing: ≤20mΩ

X2016 W R X-XX XX -N0 SN XX
 ① ② ③ ④ ⑤ ⑥ ⑦ ⑧ ⑨

- ① Series No.
- ② Category: W-WAFER
- ③ Welding Board Angle: R-Right Angle 90°
- ④ Welding Way: Blank-DIP
- ⑤ Row No.-Pin No.: XX-02P~20P
- ⑥ Plug the Pin & Special No.: Blank-Without Kink
- ⑦ Material: N0-PA66 94V-0
- ⑧ Plating Category: SN-Bright Tin Plating
- ⑨ Color : Blank-Natural Color;



Recommended P.C.B Layout
 General Tolerance±0.05

Poles	Dimensions (mm)			Poles	Dimensions (mm)			Poles	Dimensions (mm)		
	A	B	C		A	B	C		A	B	C
02	2.00	6.00	5.00	09	16.00	20.00	19.00	16	30.00	34.00	33.00
03	4.00	8.00	7.00	10	18.00	22.00	21.00	17	32.00	36.00	35.00
04	6.00	10.00	9.00	11	20.00	24.00	23.00	18	34.00	38.00	37.00
05	8.00	12.00	11.00	12	22.00	26.00	25.00	19	36.00	40.00	39.00
06	10.00	14.00	13.00	13	24.00	28.00	27.00	20	38.00	42.00	41.00
07	12.00	16.00	15.00	14	26.00	30.00	29.00				
08	14.00	18.00	17.00	15	28.00	32.00	31.00				

X2016WR-XX-N0SN	Nylon 66 UL 94V-0	Brass	Tin-Plated	X2016H
PART NO	Material	Material(Pin)	Finish(Pin)	Suitable XKB Terminal

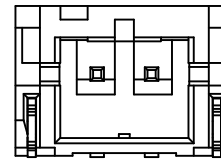
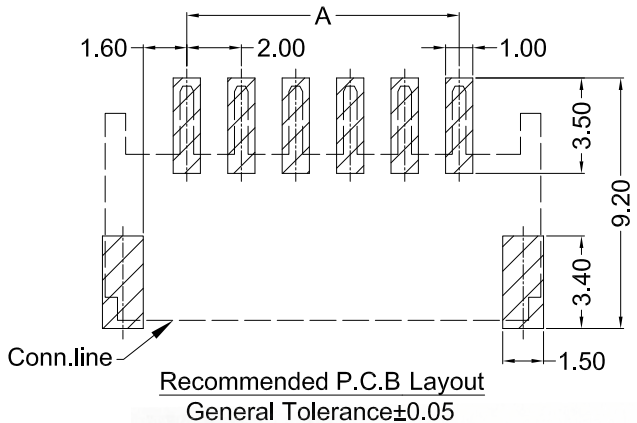
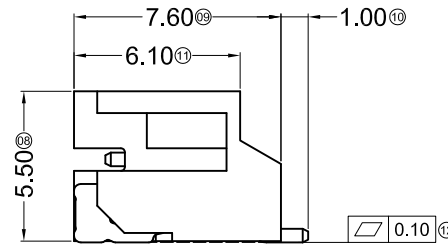
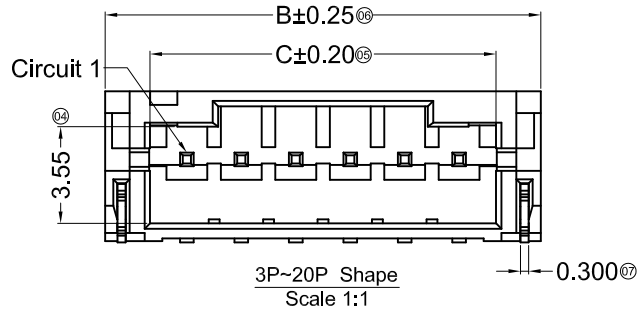
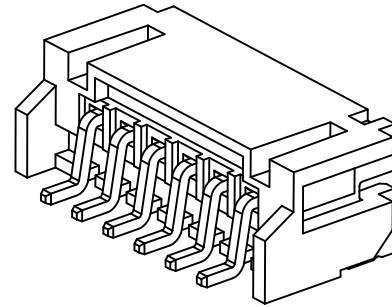
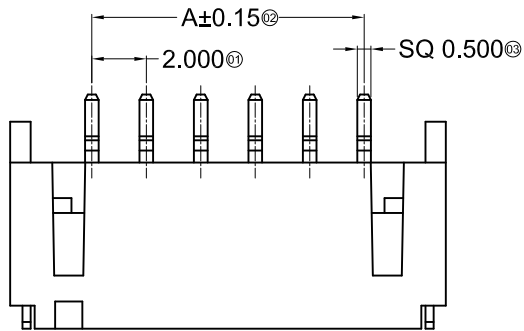
For and on behalf of
XKB INDUSTRIAL PRECISION CO., LIMITED
香港星坤工業精密有限公司

△ X					ANGULAR	±5°
△ X					L ≤ 4	±0.2
△ X					4 < L ≤ 16	±0.3
△ X					16 < L ≤ 63	±0.4
MARK					L > 63	±0.5

REVISIONS	DESCRIPTION	DATE	REVISED	APPROVED	UNSPECIFIED TOLERANCES

DSND		DATE		SCALE: N/A	MODEL TYPE: 2016WR-XX-N0SN
DWN		DATE		VIEW:	PART NO.:
CHKD		DATE		UNIT: mm	2.00 mm Crimp Style Connectors
APPD		DATE		SIZE: A4	DWG NO.:
				WEIGHT	SHEET
				1.0g	1/1
				REVISION	A0

XKB INDUSTRIAL PRECISION CO., LIMITED



2P Shape
Scale 1:1

Specifications :

- Voltage rating: 100V AC / DC
- Current rating: 2A AC / DC
- Withstanding voltage: 800V AC/minute
- Temperature range: -25°C~+85°C
- Insulation resistance: ≥1000MΩ
- Contact resistance: ≤10mΩ
- After environmental testing: ≤20mΩ

X2016 W R S-XX X -XX XXX XX
① ② ③ ④ ⑤ ⑥ ⑦ ⑧ ⑨

- ① Series No.
- ② Category: W-WAFER
- ③ Welding Board Angle: R-Right Angle 90°
- ④ Welding Way: S-SMT
- ⑤ Row No.-Pin No.: XX-02P~20P
- ⑥ Plug the Pin & Special No.
- ⑦ Material: 9T -PA9T 94V-0 LP -LCP 94V-0
- ⑧ Plating Category: SW-Matte Tin Plating; V15- Gold 15u" SN-Bright Tin Plating
- ⑨ Color : HF-Halogen Free; Blank-Natural Color; Bk-Black

Poles	Dimensions (mm)			Poles	Dimensions (mm)			Poles	Dimensions (mm)		
	A	B	C		A	B	C		A	B	C
02	2.00	8.00	4.70	09	16.00	22.00	18.70	16	30.00	36.00	32.70
03	4.00	10.00	6.70	10	18.00	24.00	20.70	17	32.00	38.00	34.70
04	6.00	12.00	8.70	11	20.00	26.00	22.70	18	34.00	40.00	36.70
05	8.00	14.00	10.70	12	22.00	28.00	24.70	19	36.00	42.00	38.70
06	10.00	16.00	12.70	13	24.00	30.00	26.70	20	38.00	44.00	40.70
07	12.00	18.00	14.70	14	26.00	32.00	28.70				
08	14.00	20.00	16.70	15	28.00	34.00	30.70				

PART NO	Material	Material(Pin)	Finish(Pin)	Material (Solder Tabs)	Finish (Solder Tabs)	Suitable XKB Terminal
X2016WRS-XX-9TSN	PA9T UL 94V-0	Brass	Tin-Plated	Brass	Tin-Plated	X2016H
X2016WRS-XX-LPSWHF	LCP UL 94V-0 Halogen Free		Matte Tin-Plated		Matte Tin-Plated	
X2016WRS-XX-LPSW	LCP UL 94V-0		Matte Tin-Plated		Matte Tin-Plated	
X2016WRS-XX-9TV15BK	PA9T UL 94V-0 Black		Gold15u"		Gold-Flash	
X2016WRS-XX-9TSW	PA9T UL 94V-0		Matte Tin-Plated		Matte Tin-Plated	

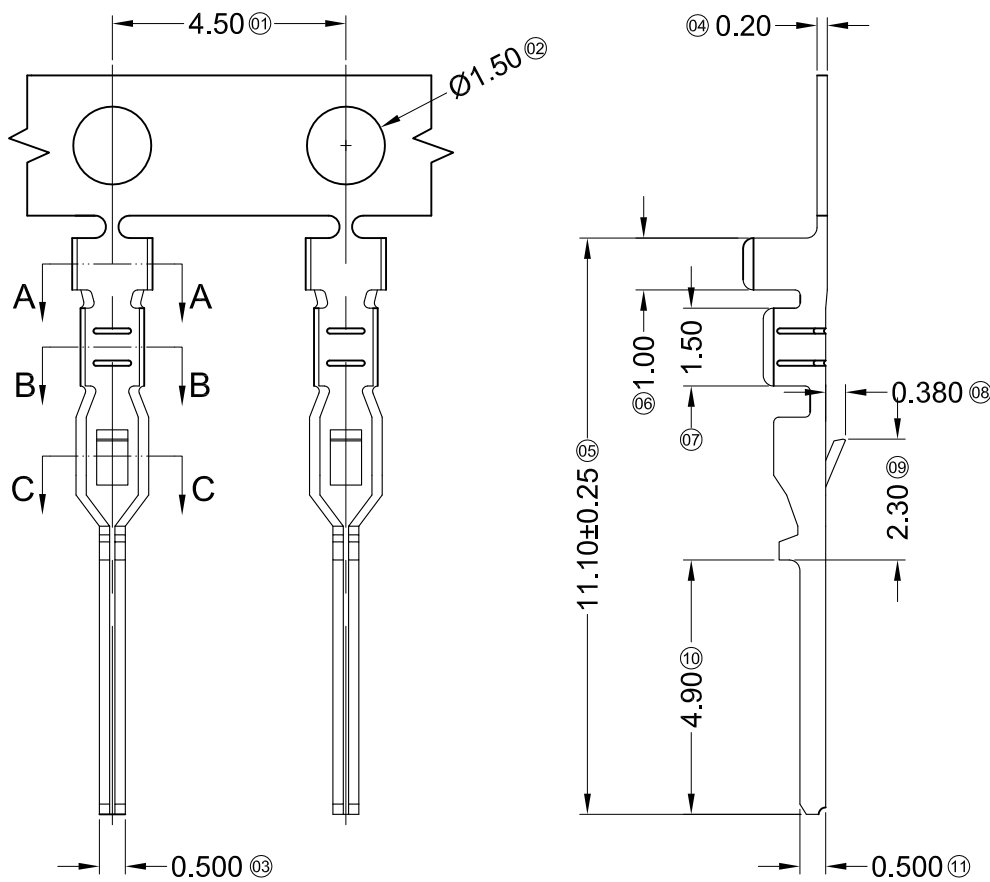
For and on behalf of
XKB INDUSTRIAL PRECISION CO., LIMITED
香港星坤工業精密有限公司

REVISIONS

Authorized Signature(s)

DSND	DATE	SCALE: N/A	MODEL TYPE:
DWN	DATE	VIEW:	X2016WRS-XX-XXXXXXX
CHKD	DATE	UNIT: mm	PART NO.:
APPD	DATE	SIZE: A4	2.00mm Crimp Style Connectors
			DWG NO.:
		WEIGHT	SHEET
		1.0g	1/1
		REVISION	
		A0	

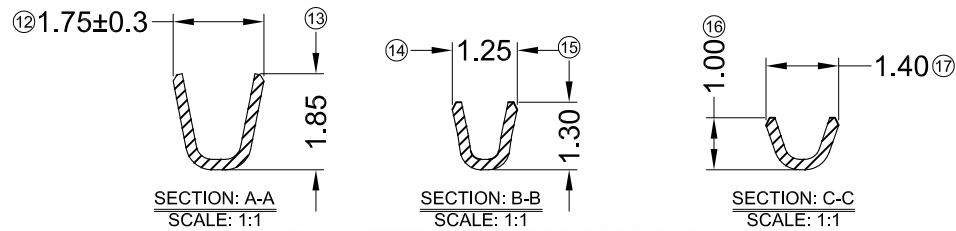
XKB INDUSTRIAL PRECISION CO., LIMITED



- Specifications :**
- Voltage rating: 100V AC / DC
 - Current rating: 2A AC / DC
 - Withstanding voltage: 800V AC/minute
 - Temperature range: -25°C~+85°C
 - Insulation resistance: ≥1000MΩ
 - Contact resistance: ≤10mΩ
 - After environmental testing: ≤20mΩ

X2016 T M-P SN X - X
 ① ② ③ ④ ⑤ ⑥ ⑦

- ① Series Number
- ② Category: T-terminal
- ③ Shape: M-Male
- ④ Material: P-Phosphor bronze
- ⑤ Plating style: SN-Bright tin plating
- ⑥ Plating method: Blank-Stamping before plating
- ⑦ Mold No./Mark/Special No.



X2016TM-PSN	Phosphor Bronze	AWG#26-28	1.30mm(Max)	Stamping Before plating:30u" MIN. Ni; 70u"Sn	X2016HF
PART NO	Material	Wire Range	Insulation O.D.	Finish	Suitable XKB Terminal

For and on behalf of
XKB INDUSTRIAL PRECISION CO., LIMITED
 香港星坤工業精密有限公司

△ X					ANGULAR	± 5°
△ X					L ≤ 4	± 0.2
△ X					4 < L ≤ 16	± 0.3
△ X					16 < L ≤ 63	± 0.4
MARK	DESCRIPTION	DATE	REVISED	APPROVED	L > 63	± 0.5
REVISIONS					UNSPECIFIED TOLERANCES	

DSND		DATE		SCALE: N/A	MODEL TYPE: X2016TM-PSN	
DWN		DATE		VIEW:	PART NO.: 2.00 mm Crimp Style Connectors	
CHKD		DATE		UNIT: mm	DWG NO.:	
APPD		DATE		SIZE: A4		
				WEIGHT	SHEET	REVISION
				1.0g	1/1	A0

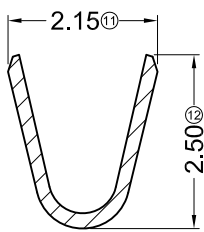
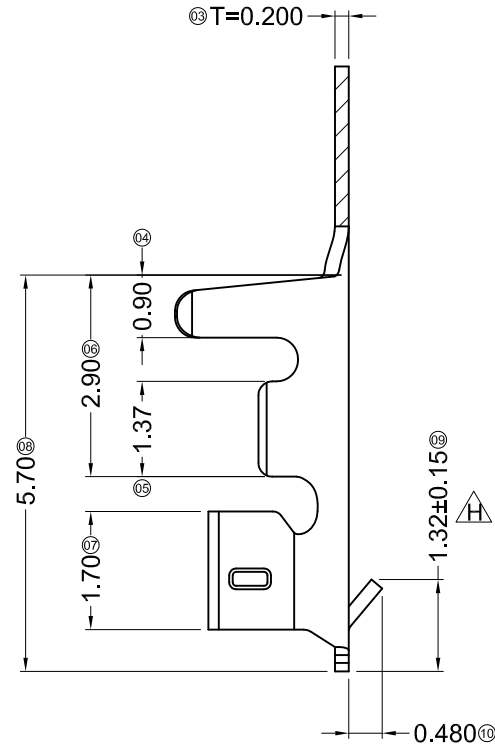
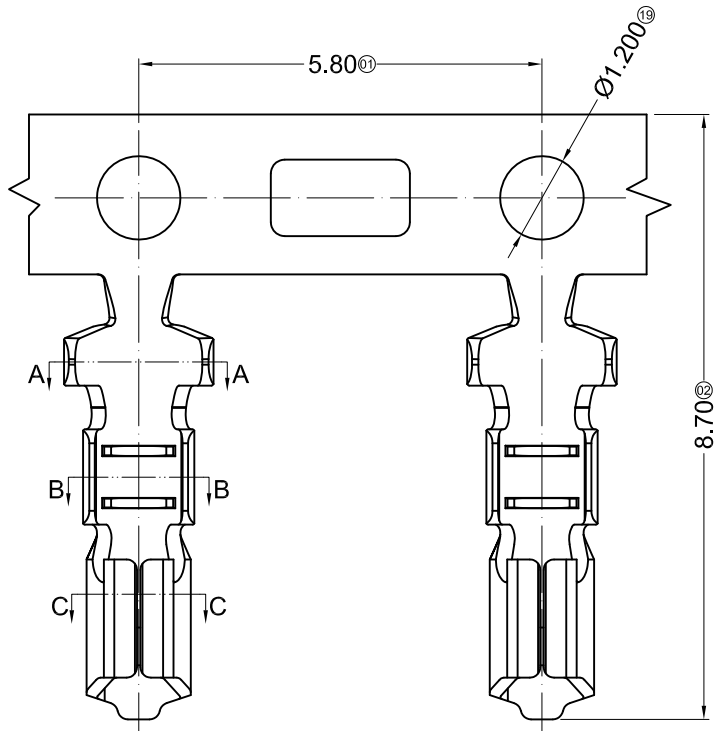
XKB INDUSTRIAL PRECISION CO., LIMITED

Authorized Signature(s)

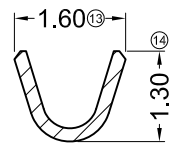
1 2 3 4 5 6 7 8

A
B
C
D
E
F

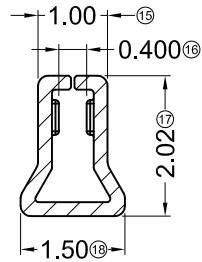
A
B
C
D
E
F



SECTION: A-A
SCALE: 1:1



SECTION: B-B
SCALE: 1:1



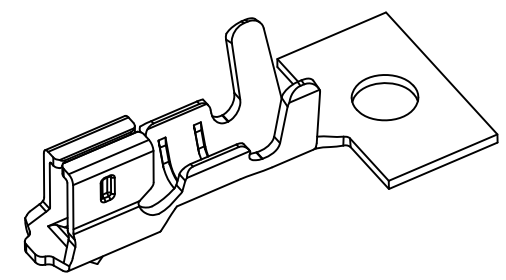
SECTION: C-C
SCALE: 1:1

■ Specifications :

- Voltage rating: 100V AC / DC
- Current rating: 2A AC / DC
- Withstanding voltage: 800V AC/minute
- Temperature range: -25°C~+85°C
- Insulation resistance: ≥1000MΩ
- Contact resistance: ≤10mΩ
- After environmental testing: ≤20mΩ

X2016 T X-P XXX X - X
① ② ③ ④ ⑤ ⑥ ⑦

- ① Series Number
- ② Category: T-terminal
- ③ Shape: Blank-ordinary
- ④ Material: P-Phosphor bronze
- ⑤ Plating style: V01-Gold Flash ; SN-Bright tin plating
- ⑥ Plating method: Blank-Stamping before plating
B-Plating before stamping
- ⑦ Mold No./Mark/Special No.



X2016T-PV01				Stamping Before plating;30u" MIN. Ni; Whole Gold ;Gold Flash	
X2016T-PSNB	Phosphor Bronze	AWG#24-30	1.50mm(Max)	Plating Before Stamping;10u" MIN. Ni ; 30u"Sn	X2016H
X2016T-PSN				Stamping Before plating;30u" MIN. Ni; 70u"Sn	
XPART NO	Material	W/re Range	Insulation O.D.	Finish	Suitable XKB Terminal

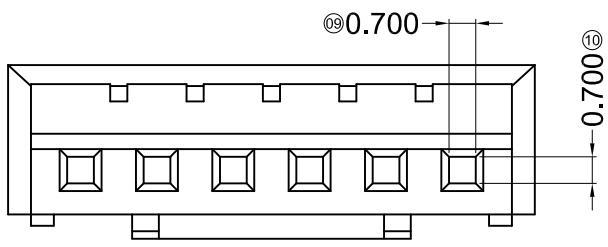
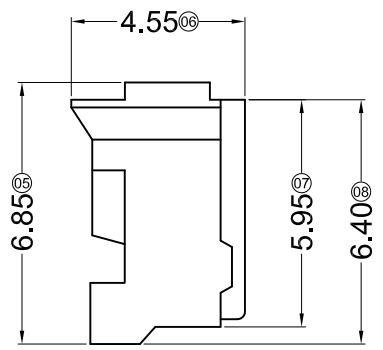
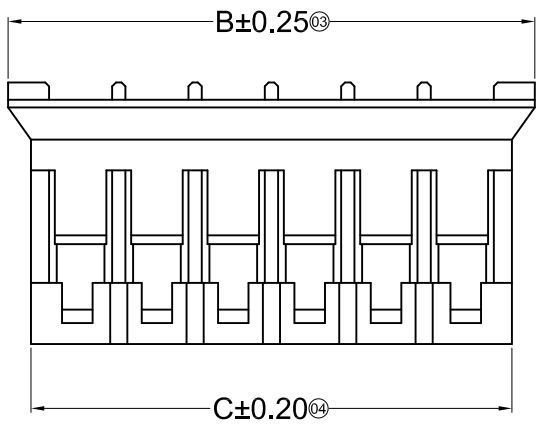
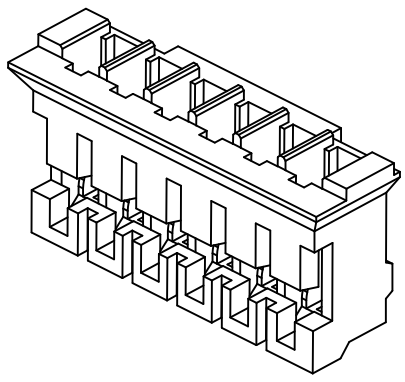
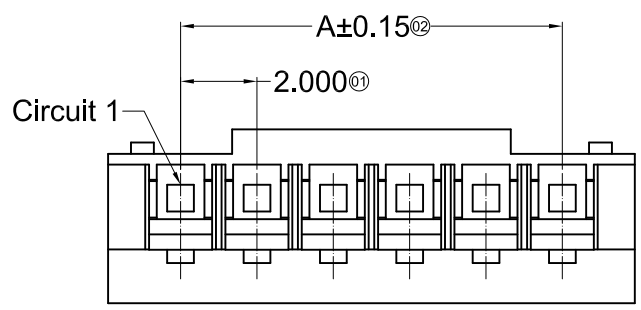
For and on behalf of
XKB INDUSTRIAL PRECISION CO., LIMITED
香港星坤工業精密有限公司

△ X					ANGULAR	± 5°
△ X					L ≤ 4	± 0.2
△ X					4 < L ≤ 16	± 0.3
△ X					16 < L ≤ 63	± 0.4
MARK					L > 63	± 0.5
REVISIONS					UNSPECIFIED TOLERANCES	

DSND		DATE		SCALE: N/A	MODEL TYPE: X2016T-PXXXX	
DWN		DATE		VIEW:	PART NO.:	
CHKD		DATE		UNIT: mm	2.00 mm Crimp Style Connectors	
APPD		DATE		SIZE: A4	DWG NO.:	
				WEIGHT	SHEET	REVISION
				1.0g	1/1	A0

XKB INDUSTRIAL PRECISION CO., LIMITED

1 2 3 4 5 6 7 8



Specifications :

- Voltage rating: 100V AC / DC
- Current rating: 2A AC / DC
- Withstanding voltage: 800V AC/minute
- Temperature range: -25°C~+85°C
- Insulation resistance: ≥1000MΩ
- Contact resistance: ≤10mΩ
- After environmental testing: ≤20mΩ

X2016 H X-XX X-N0 HF-C

- ① Series No.
 ② Category: H-HSG
 ③ Appearance type: Blank-Ordinary
 ④ Row No.-Pin No.: XX-02P~20P
 ⑤ Plug the Pin & special No.: Blank-Ordinary
 ⑥ Material: N0-PA66 94V-0
 ⑦ HF-Halogen Free
 ⑧ C-Glowing Filament ;

Poles	Dimensions (mm)			Poles	Dimensions (mm)		
	A	B	C		A	B	C
02	2.00	5.80	4.60	12	22.00	25.80	24.60
03	4.00	7.80	6.60	13	24.00	27.80	26.60
04	6.00	9.80	8.60	14	26.00	29.80	28.60
05	8.00	11.80	10.60	15	28.00	31.80	30.60
06	10.00	13.80	12.60	16	30.00	33.80	32.60
07	12.00	15.80	14.60	17	32.00	35.80	34.60
08	14.00	17.80	16.60	18	34.00	37.80	36.60
09	16.00	19.80	18.60	19	36.00	39.80	38.60
10	18.00	21.80	20.60	20	38.00	41.80	40.60
11	20.00	23.80	22.60				

X2016H-XX-N0-C	Nylon 66 UL 94V-0	X2016T	X2016W
X2016H-XX-N0HF	PA66 UL 94V-0 Halogen Free		
X2016H-XX-N0	Nylon 66 UL 94V-0		
PART NO	Material	Suitable XKB Terminal	Suitable XKB Terminal

For and on behalf of
XKB INDUSTRIAL PRECISION CO., LIMITED
 香港星坤工業精密有限公司

△ X					ANGULAR	±5°	DSND		DATE	SCALE: N/A	MODEL TYPE: X2016H-XX-N0XX		
△ X					L ≤ 4	±0.2	DWN		DATE	VIEW:	PART NO.:		
△ X					4 < L ≤ 16	±0.3	CHKD		DATE	UNIT: mm	2.00mm Crimp Style Connectors		
MARK	DESCRIPTION	DATE	REVISED	APPROVED	16 < L ≤ 63	±0.4	APPD		DATE	SIZE: A4	DWG NO.:		
					L > 63	±0.5							
	REVISIONS				UNSPECIFIED TOLERANCES			XKB INDUSTRIAL PRECISION CO., LIMITED			WEIGHT	SHEET	REVISION
											1.0g	1/1	A0

Authorized Signature(s)

■ Specifications :

- Voltage rating: 125V AC / DC
- Current rating: 1A AC / DC
- Withstanding voltage: 250V AC/minute
- Temperature range: -25°C~+85°C
- Insulation resistance: ≥100MΩ
- Contact resistance: ≤20mΩ
- After environmental testing: ≤40mΩ

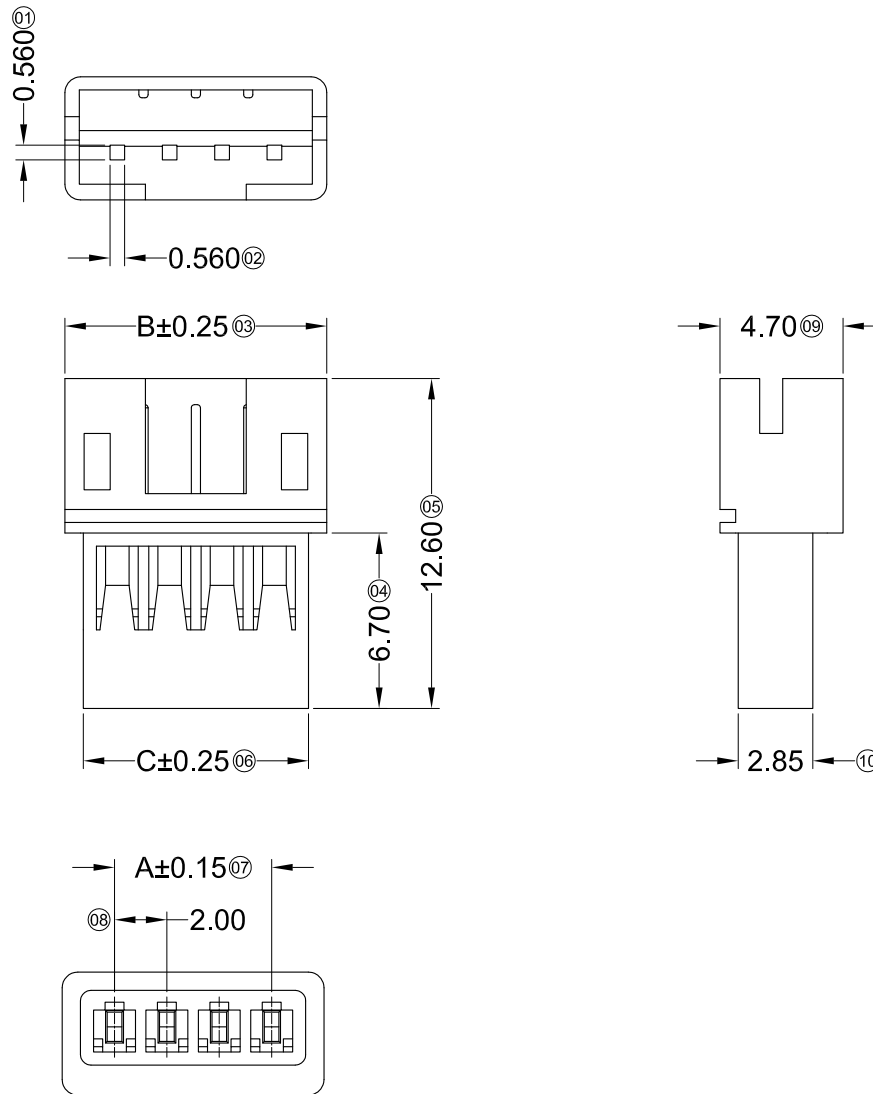
X2016 H F-XX X-N0 XX

① ② ③ ④ ⑤ ⑥ ⑦

- ① Series No.
- ② Category: H-HSG
- ③ Welding Board Angle: F-Female HSG
- ④ Row No.-Pin No.: XX-02P~20P
- ⑤ Plug the Pin & special No.:
- ⑥ Material: N0-PA66 94V-0;
- ⑦ Color: Blank-natural color; BK-Black

Poles	Dimensions (mm)			Poles	Dimensions (mm)		
	A	B	C		A	B	C
02	2.00	6.00	4.60	12	22.00	26.00	24.60
03	4.00	8.00	6.60	13	24.00	28.00	26.60
04	6.00	10.00	8.60	14	26.00	30.00	28.60
05	8.00	12.00	10.60	15	28.00	32.00	30.60
06	10.00	14.00	12.60	16	30.00	34.00	32.60
07	12.00	16.00	14.60	17	32.00	36.00	34.60
08	14.00	18.00	16.60	18	34.00	38.00	36.60
09	16.00	20.00	18.60	19	36.00	40.00	38.60
10	18.00	22.00	20.60	20	38.00	42.00	40.60
11	20.00	24.00	22.60				

X2016HF-XX-N0BK	Nylon 66 UL 94V-0 Black	X2016TM	X2016W
X2016HF-XX-N0	Nylon 66 UL 94V-0		
PART NO	Material	Suitable XKB Terminal	Suitable XKB Terminal



For and on behalf of
XKB INDUSTRIAL PRECISION CO., LIMITED
 香港星坤工業精密有限公司

△ X					ANGULAR	± 5°
△ X					L ≤ 4	± 0.2
△ X					4 < L ≤ 16	± 0.3
△ X					16 < L ≤ 63	± 0.4
MARK	DESCRIPTION	DATE	REVISED	APPROVED	L > 63	± 0.5
REVISIONS					UNSPECIFIED TOLERANCES	

DSND		DATE		SCALE: N/A	MODEL TYPE: X2016HF-XX-N0XX	
DWN		DATE		VIEW:	PART NO.: 2.00mm Crimp Style Connectors	
CHKD		DATE		UNIT: mm	DWG NO.:	
APPD		DATE		SIZE: A4		
XKB INDUSTRIAL PRECISION CO., LIMITED				WEIGHT	SHEET	REVISION
				1.0g	1/1	A0