

XNG75PI24TC4S5

IGBT Modules Preliminary data

General Description

Xiner IGBT Power Module XNG75PI24TC4S5 provides low switching loss as well as high short circuit capability, which introduce the advanced IGBT and improved connection, it is able to take on a perfect performance in various applications up to 20KHz.

Features

- Standard housing
- High short circuit capability
- V_{cesat} with positive temperature coefficient



Applications

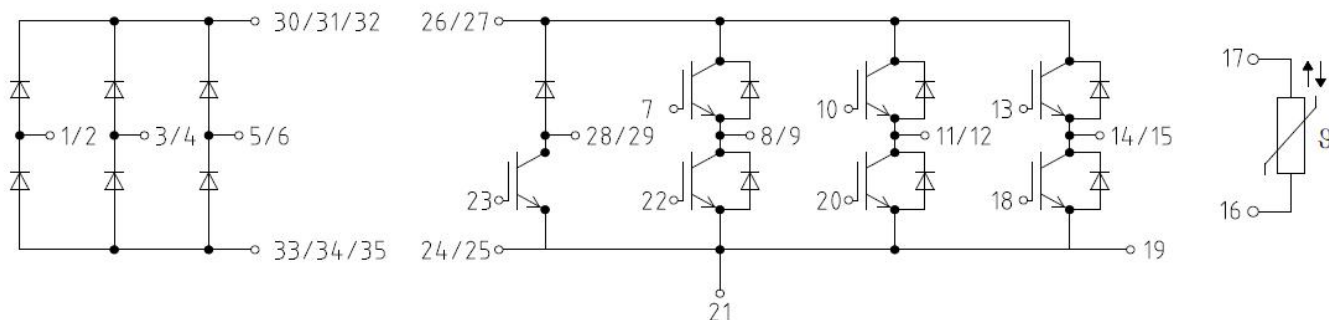
- Motor drives
- UPS
- Electronic welding
- High power converters

Characteristic values

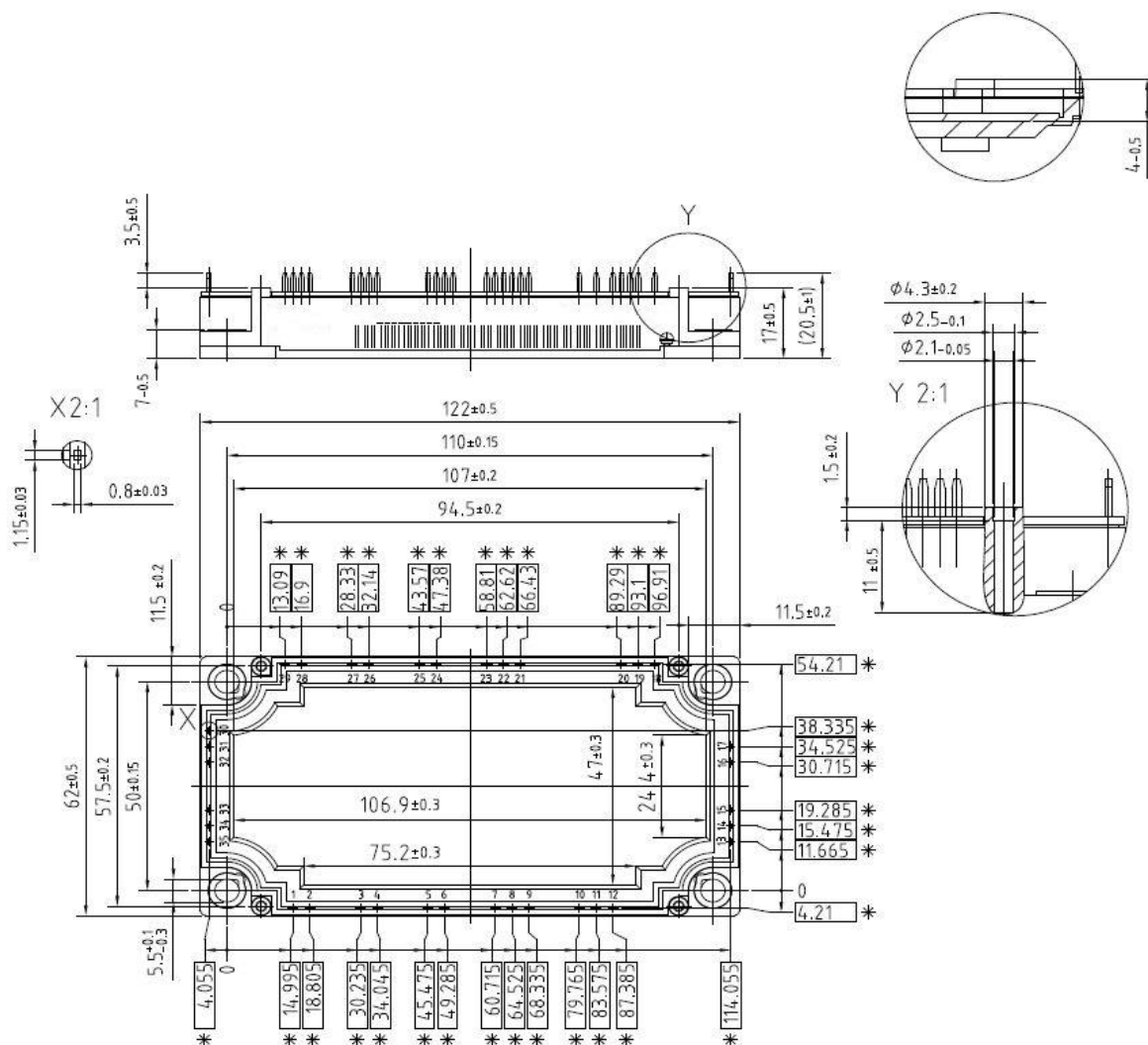
Absolute Maximum Ratings

Parameter	Symbol	Conditions	Value	Unit
Collector-emitter voltage	V_{CES}	$T_{vj} = 25^{\circ}C$	1200	V
Gate-emitter peak voltage	V_{GES}		± 20	V
Continuous DC collector current	$I_{C\ nom}$		75	A
Repetitive peak collector current	I_{CRM}	$t_p = 1\ ms$	150	A
Total power dissipation	P_{tot}	$T_C = 25^{\circ}C, T_{vj} = 150^{\circ}C$	480	W
IGBT short circuit SOA	t_{psc}	$V_{CC} = 900\ V$ $V_{GE} = 15\ V, T_{vj} = 150^{\circ}C$	10	us

Circuit diagram



Package outlines dimensions in mm



* = alle Maße mit einer Toleranz von ± 0.5
 * = all dimensions with tolerance of ± 0.5