



APPROVAL SHEET

Customer Name : _____
Customer P/N : _____
Frequency : 38.400000 MHz
Aker Approved P/N: CXA-038400-AF8D41
Aker MPN : CXA-038400-AF8D41
Rev. : 1
ISSUE DATE : Jan.25.2019

APPROVED	CHECKED	PREPARED
		
APPROVED BY CUSTOMER		

AKER TECHNOLOGY CO., LTD.

ADDRESS : NO 11-3, Jianguo Rd., T.E.P.Z ,Tanzi Dist., Taichung City 427, Taiwan.

TEL : 886-4-25335978 FAX : 886-4-25336011

Web: www.aker.com.tw

RoHS compliant



CUST. P/N	:	
Aker Approved P/N	:	CXA-038400-AF8D41
APPROVED	:	Xtal
PREPARED	:	Kiku
		SHEET : 2 of 9
		REV . : 1

SMD CRYSTAL SPECIFICATION

1 . ELECTRICAL CHARACTERISTICS

■ Standard atmospheric conditions

Unless otherwise specified , the standard range of atmospheric conditions for making measurement and tests are as follow :

Ambient temperature : 25±5 °C

Relative humidity : 40%~70%

If there is any doubt about the results , measurement shall be made within the following limits :

Ambient temperature : 25±3 °C

Relative humidity : 40%~70%

- AKER Model : CXA-211
- Oscillation Model : Fundamental
- Cutting Model : AT CUT
- Measurement Equipment : 350A(Measured FL)
- Insulation Resistance : More than 500M ohms at DC 100V

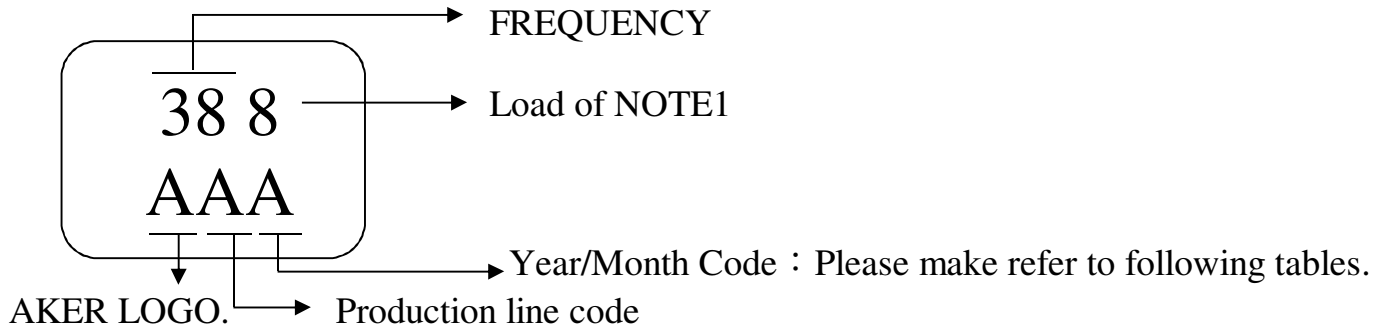
Parameters	Symbol	Electrical Spec				Notes
		Min.	Typ.	Max.	Units.	
Nominal Frequency	FL	38.400000			MHz	
Frequency Tolerance		±10			ppm	at 25°C ± 3°C
Frequency Stability		±20			ppm	Operating Temp (Refer 25°C)
Load Capacitance	CL	10			pF	
Aging		±3			ppm	First Year
Operating Temperature		-40	~	85	°C	
Storage Temperature Range		-55	~	125	°C	
Drive Level	DL			100	uW	
Effective Resistance Rr	Rr			100	Ω	
Shunt Capacitance	C0			3	pF	

Please kindly be noted that AKER DO NOT guarantee parts quality which involves human security application.



CUST. P/N	:		
Aker Approved P/N	:	CXA-038400-AF8D41	
APPROVED	:	Xtal	SHEET : 3 of 9
PREPARED	:	Kiku	REV. : 1

2. MARKING :



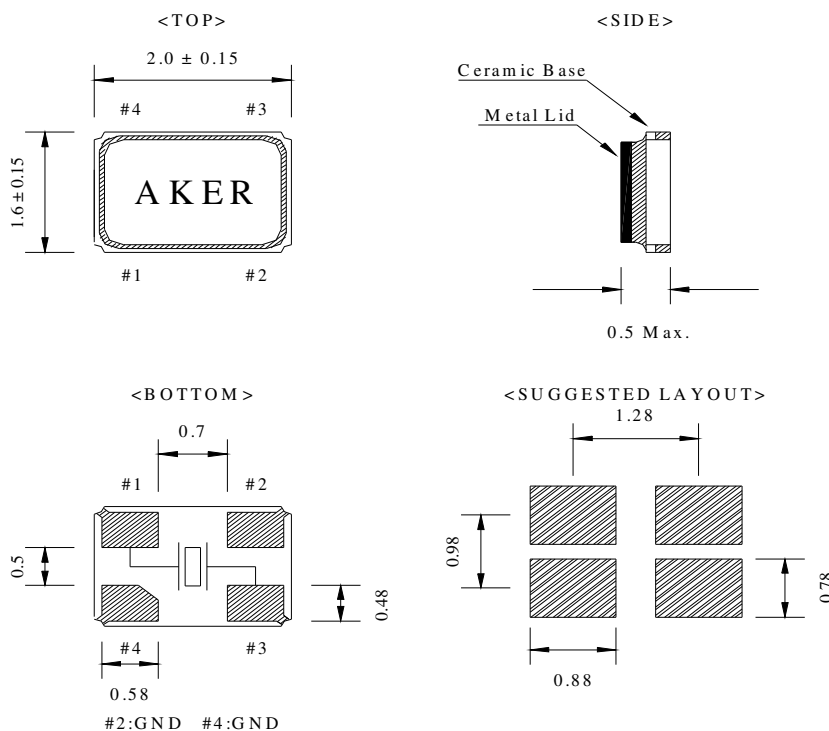
NOTE 1 :

CODE	CL	CODE	CL	CODE	CL	CODE	CL
0	0pF	9	14pF	K	9.5pF	U	8.5pF
1	16pF	A	32pF	L	19.5pF	V	24pF
2	22pF	B	27pF	M	21.5pF	W	4pF
3	15pF	C	8pF	N	33pF	X	39pF
4	20pF	D	37pF	P	7pF	Y	26pF
5	30pF	E	25pF	Q	15.5pF	Z	7.2pF
6	18pF	F	35pF	R	12.5pF	a	17pF
7	12pF	G	13pF	S	11pF	b	9.85pF
8	10pF	H	9pF	T	6pF	d	5pF

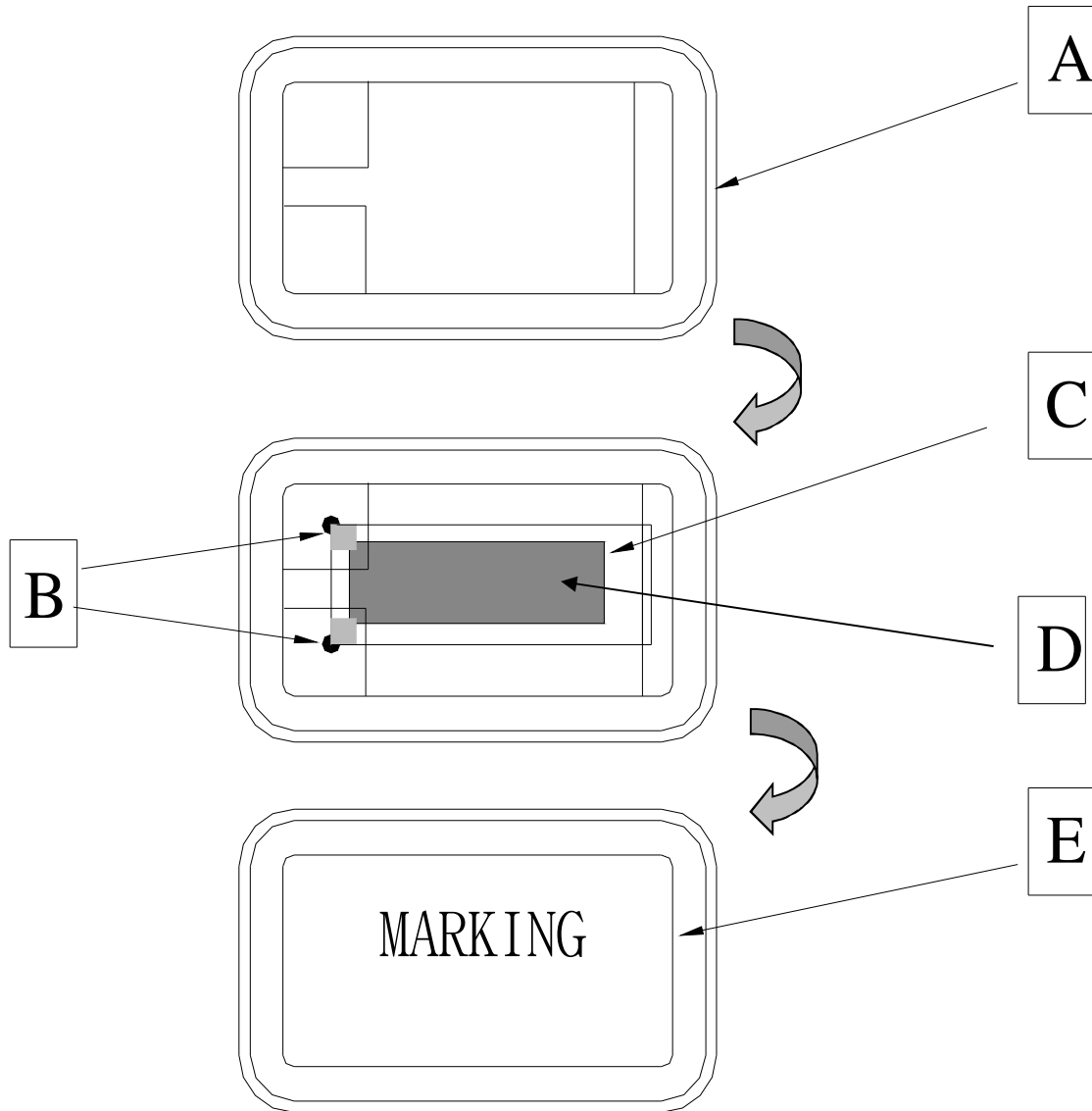
Year	2007	2008	2009	2010
	2011	2012	2013	2014
2015	2016	2017	2018	
2019	2020	2021	2022	
2023	2024	2025	2026	
Month	A	N	a	n
JAN	B	P	b	p
FEB	C	Q	c	q
MAR	D	R	d	r
APR	E	S	e	s
MAY	F	T	f	t
JUN	G	U	g	u
JUL	H	V	h	v
AUG	J	W	j	w
SEP	K	X	k	x
OCT	L	Y	l	y
NOV	M	Z	m	z
DEC				

3. DIMENSION :

(Unit : mm)



4. STRUCTURE ILLUSTRATION



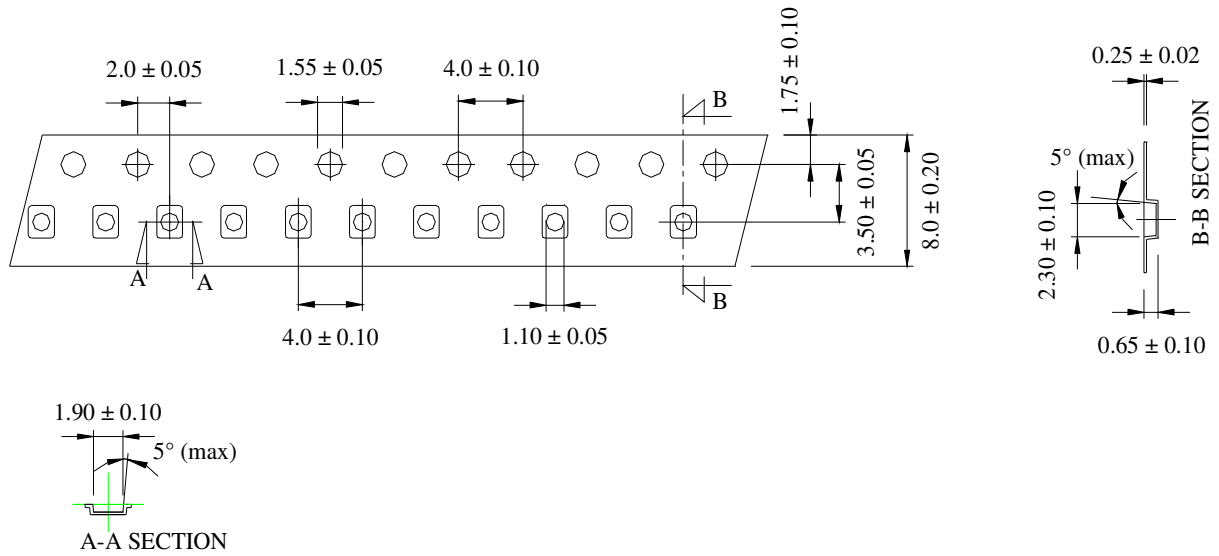
COMPONENTS		MATERIALS	COMPONENTS		MATERIALS
A	Base (Package)	Ceramic(Al_2O_3)+Kovar(Fe/Co/Ni)	D	Electrode	Cr / Ag
B	Conductive adhesive	Ag / Silicon resin	E	Lid	Fe/Co/Ni
C	Crystal blank	SiO_2			

CUST. P/N	:	
Aker Approved P/N	:	CXA-038400-AF8D41
APPROVED	:	Xtal
PREPARED	:	Kiku
		SHEET : 5 of 9
		REV . : 1

5 . PACKING :

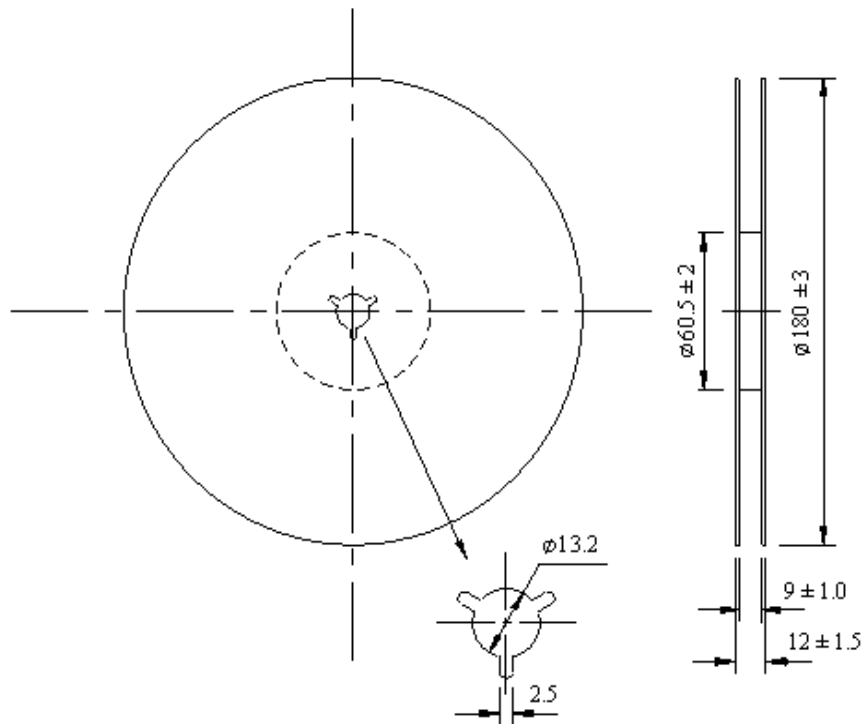
TAPE SPECIFICATION

(Unit : mm)



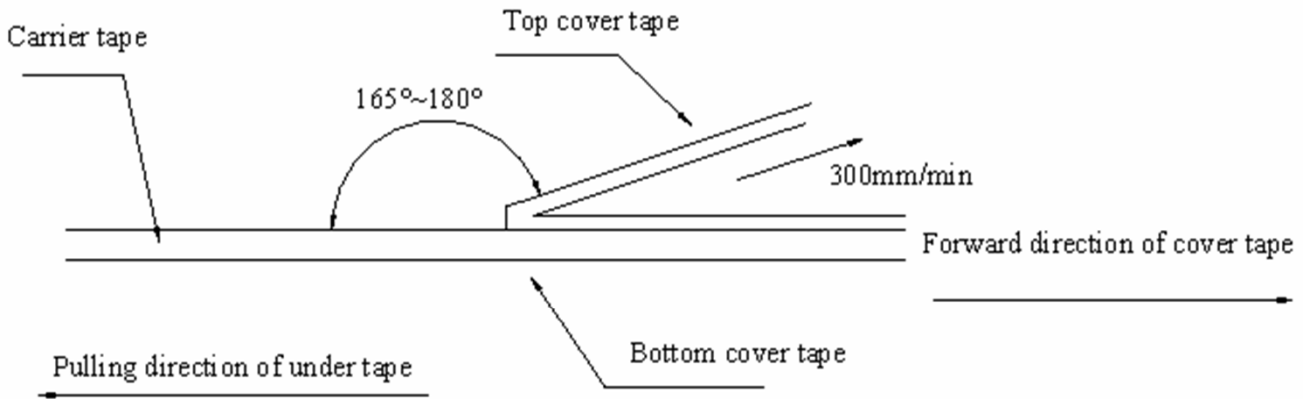
OUTLINE DIMENSION

(Unit : mm)



CUST. P/N	:	
Aker Approved P/N	:	CXA-038400-AF8D41
APPROVED	:	Xtal
PREPARED	:	Kiku
		SHEET : 6 of 9
		REV . : 1

6. COVER TAPE ADHESION STRENGTH :

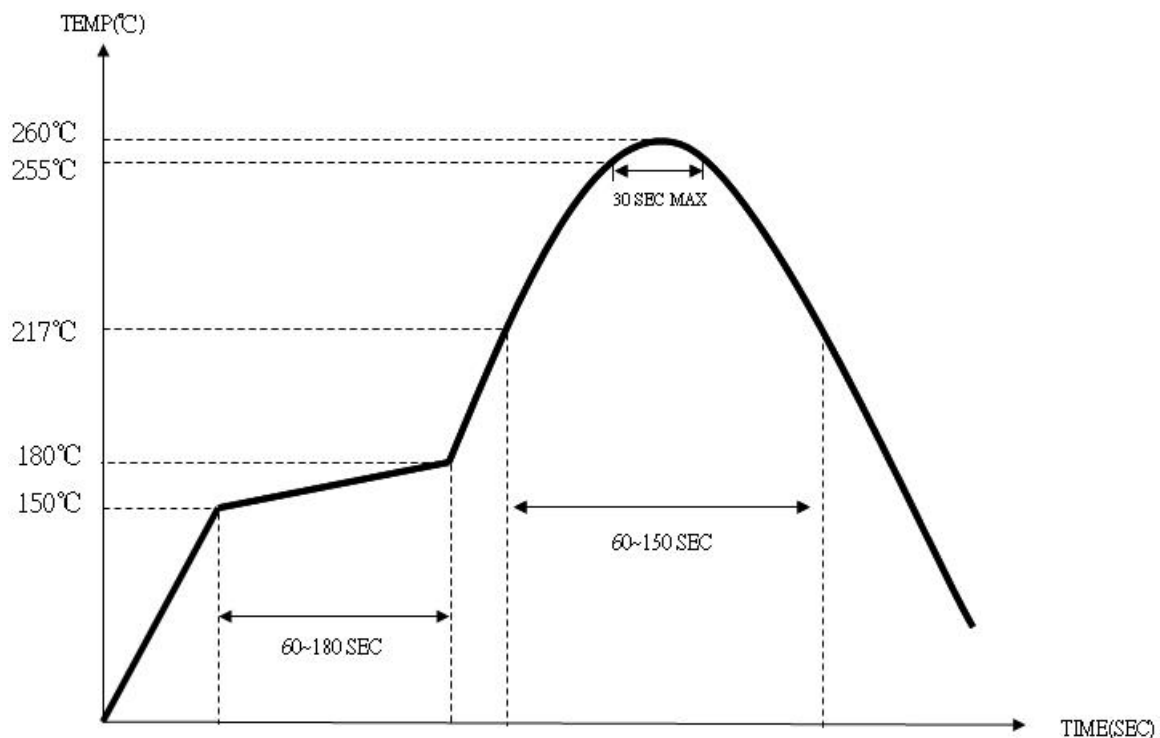


*** In the case, the cover tape is pulled off under the above conditions, the cover tape adhesion strength should be 10.2g~71.4g

Plastic tape: 10.2g~71.4g

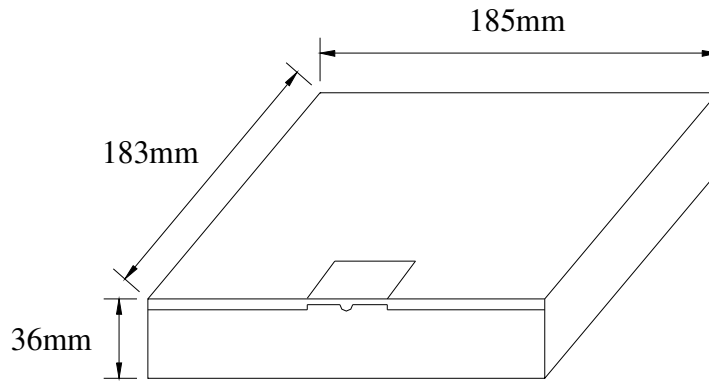
(Cover tape adhesion strength)

7. SOLDERING REFLOW PROFILE

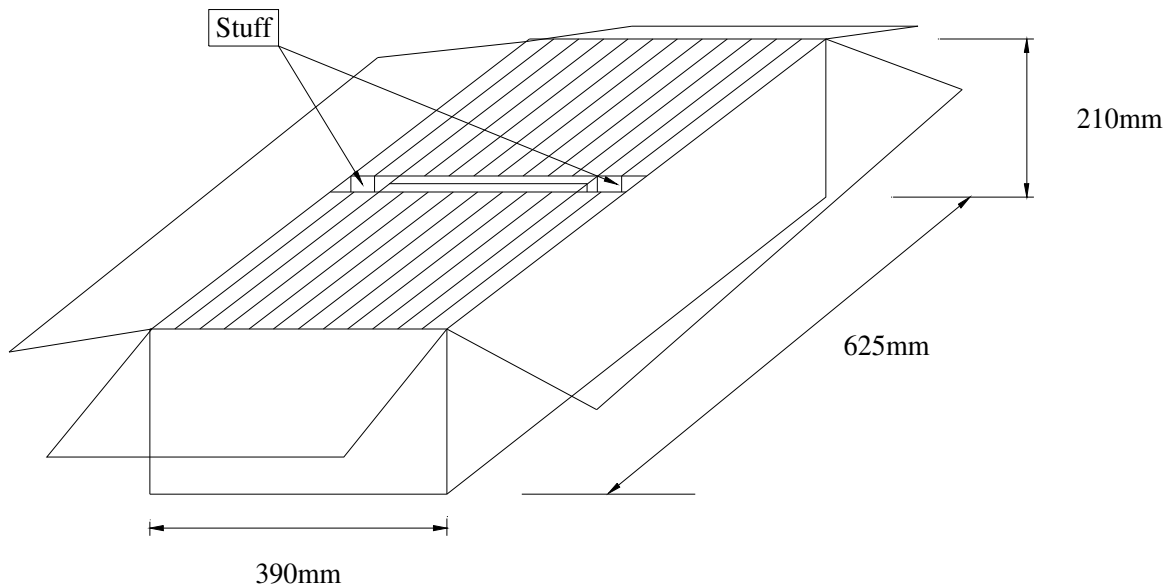


CUST. P/N	:	
Aker Approved P/N	:	CXA-038400-AF8D41
APPROVED	:	Xtal
PREPARED	:	Kiku
		SHEET : 7 of 9
		REV . : 1

8. PACKING :



BOX = 3000 PCS / REEL(MAX)



SMD product packs 32 BOX=The outside box packs (3000 PCS *32 BOX = 96000 PCS)(MAX)



CUST. P/N	:	
Aker Approved P/N	:	CXA-038400-AF8D41
APPROVED	:	Xtal
PREPARED	:	Kiku
		SHEET : 8 of 9
		REV . : 1

9 . MECHANICAL PERFORMANCE

TEST ITEMS	TEST METHODS AND TEST CONDITION	PERFORMANCE
9.1 Drop Test	The specimen is measured for its frequency and resistance before the test. It is then dropped from a height of 100 cm or more as a free fall object onto a hard wooden plate of 30mm or more in thickness. (in accordance with JIS-C0044)	To satisfy the electrical performance .
9.2 Vibration Test	The specimen is measured for its frequency and resistance before the test. Most them into X,Y and Z axes, respectively, for the vibration test. Vibration condition: Frequency range ; 20 ~ 2000HZ Peak to peak amplitude : 1.52 mm Peak acceleration : 20G Sweep time : 20 minute / axis Pendicular total test time : 4 hours (in accordance with MIL-STD-883F : 2007.3)	
9.3 Resistance to Soldering Test	The specimen is measured for its frequency and resistance before the test. Place the specimen on the belt of the conveyance and let it pass through the reflow with the presettted temperature condition. After passing twice the reflow place,the specimen under the referee condition for ~2 hours and then measure its electrical performance. Temperature Condition of IR Simulation: The temperature range of the preheated section is setted at 150 ~ 180°C for 60~120 sec. For the next section the temperature range is setted at 217~260°C for 45~90 sec. and within this time range the specimen should be able to sustain at the peak temperature, 260+/-3°C , for 10 sec long. (in accordance with JESD22-B106-B)	
9.4 Fine Leak Test	Place the specimen in a pressurized container and pressurize it with the detection gas (mixed gas consisting of 95% or more helium) for at least 2 hours. Complete the measurement of the concentration of helium within 30 min after taking it out from the pressurized container. (in accordance with MIL-STD-883F : 1014.11)	
The referee condition . Temperature 25 ± 2 °C Humidity 44 ~ 55 % Pressure 86 ~ 106 kPa (in accordance with MIL-STD-883E : 1014.9)		



CUST. P/N :	
Aker Approved P/N : CXA-038400-AF8D41	
APPROVED :	Xtal SHEET : 9 of 9
PREPARED :	Kiku REV . : 1

10 . CLIMATIC RESISTANCE

TEST ITEMS	TEST METHODS AND TEST CONDITION	PERFORMANCE
10.1 Low Temp Exposure Test	<p>The specimen is measured for its frequency and resistance before the test .</p> <p>Place the specimen in the chamber and kept it at the temperature of $- 40 \pm 3^{\circ}\text{C}$ for 168 ± 6 hours .</p> <p>Take the specimen out of the chamber and measure its electrical performance after leaving 1 ~ 2 hours under the referee condition. (in accordance with JIS-C0020)</p>	To satisfy the electrical performance .
10.2 Aging Test	<p>The specimen is measured for its frequency and resistance before the test .</p> <p>Place the specimen in the testing chamber and keep it at the temperature of $+ 125 \pm 3^{\circ}\text{C}$ for 720 ± 48 hours. And then take the specimen out of the chamber and measure its electrical performance after leaving for 1 ~ 2 hours under the referee condition . (in accordance with JIS-C0021)</p>	
10.3 High Temperature & High Humidity	<p>The specimen is measured for its frequency and resistance before the test .</p> <p>Place the specimen in the testing chamber and kept it at the temperature of $+ 85 \pm 5^{\circ}\text{C}$ and humidity of $85 \pm 5\%$ for 168 ± 6 hours.and then take the specimen out and measure its electrical performance after leaving for 1 ~ 2 hours under the referee condition. (in accordance with MIL-STD-883F : 1004.7)</p>	
10.4 Temperature Cycle Test	<p>The specimen is measured for its frequency and resistance before the test .</p> <p>Subject the specimen to the 100 cycles of temperature ranges stated below .</p> <p style="text-align: center;">High temp . $+ 125 \pm 3^{\circ}\text{C}$ (15 ± 3 min).</p> <div style="text-align: center;"> <p style="text-align: center;">2~3 min. 2~3 min.</p> <p style="text-align: center;">Low temp . $-55 \pm 3^{\circ}\text{C}$ (15 ± 3 min).</p> </div> <p>Measure its electrical performance after leaving it for 1 ~ 2 hours under the referee condition . (in accordance with MIL-STD-883F : 1010.8)</p>	