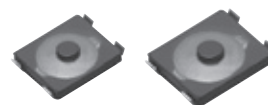


### 3.0 mm×2.6 mm SMD Light Touch Switches

Type: **EVPAF/EVP0A**



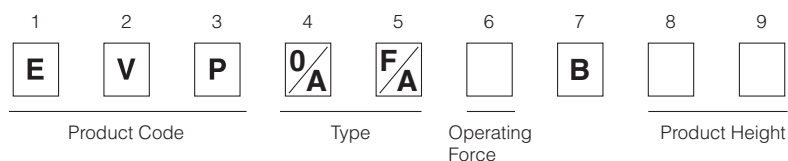
#### ■ Features

- External dimensions: 3.0 mm×2.6 mm, Height 0.65 mm, 0.70 mm
- High operability  
Equipped with an actuator (push plate)

#### ■ Recommended Applications

- Operation switches for portable electronic equipment  
(Mobile phone, Portable audio)

#### ■ Explanation of Part Numbers



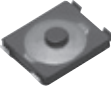
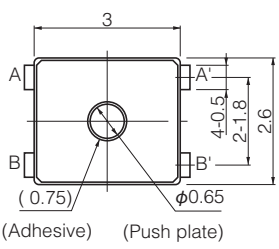
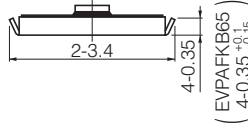
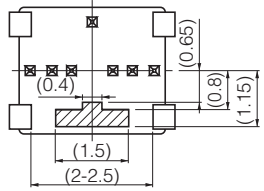
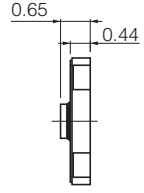
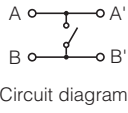
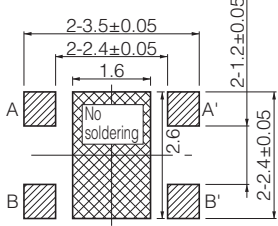


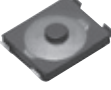
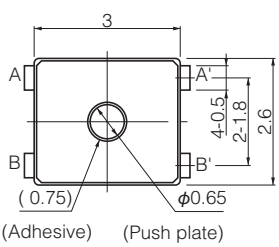
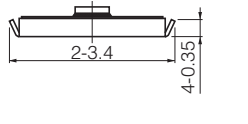
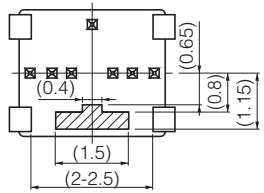
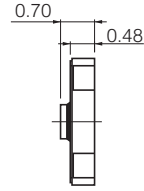
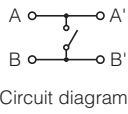
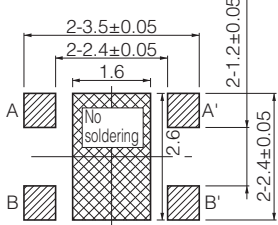


#### ■ Specifications

|                               |                                 |   |
|-------------------------------|---------------------------------|---|
| Type                          | Snap action/Push-on type SPST   |   |
| Electrical                    | Rating                          | 10 μA 2 V DC to 20 mA 15 V DC (Resistive load)  |
|                               | Contact Resistance              | 500 mΩ max.   |
|                               | Insulation Resistance           | 50 MΩ min. (at 100 V DC)  |
|                               | Dielectric Withstanding Voltage | 250 V AC for 1 minute   |
|                               | Bouncing                        | 10 ms max. (ON, OFF)  |
| Mechanical                    | Operating Force                 | 1.3 N, 1.6 N, 2.4 N, 3.4 N  |
|                               | Travel                          | 0.15 mm   |
| Endurance                     | Operating Life                  | 1.3 N, 1.6 N, 3.4 N : 100,000 cycles min., 1.6 N(Low profile) 2.4 N : 500,000 cycles min. |
| Operating Temperature         |                                 | -40 °C to +85 °C  |
| Storage Temperature           |                                 | -40 °C to +85 °C (Bulk)<br>-20 °C to +60 °C (Taping)                                      |
| Minimum Quantity/Packing Unit |                                 | 8,000 pcs. Embossed Taping (Reel Pack)  |
| Quantity/Carton               |                                 | 40,000 pcs.   |

Note: Non washable

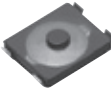
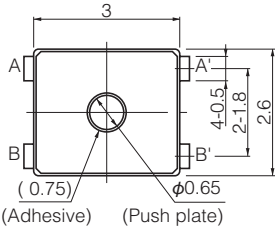
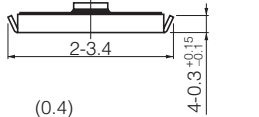
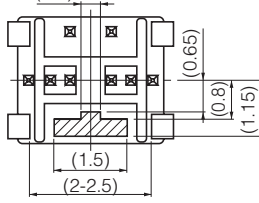
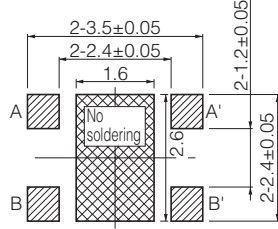


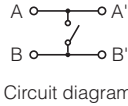
Design and specifications are each subject to change without notice. Ask factory for the current technical specifications before purchase and/or use.  
Should a safety concern arise regarding this product, please be sure to contact us immediately.

■ Dimensions in mm (not to scale)

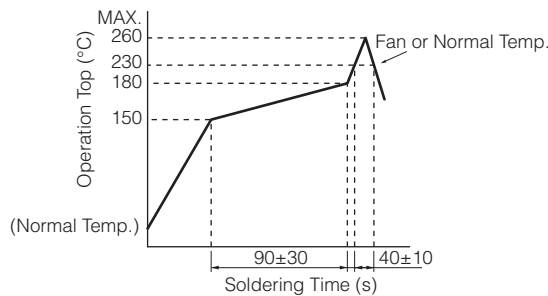
|  |   |   |   |
|--|---|---|---|
| <p>No. 1</p> <p><b>EVPAF</b></p> <p>(Embossed Taping)</p> <p>With J-bent terminals</p>    |          |       | <p>General dimension tolerance : ± 0.1<br/>( ) dimensions are reference dimensions.</p>  <p>PWB land pattern for reference</p> <p>Part of A-A' terminal is exposed at  area.<br/>Any land pattern or vias shall not be provided at  area.</p>      |
| <p>Part Numbers</p> <p>EVPAFKB65</p> <p>EVPAFFB65</p>  | <p>Operating Force</p> <p>1.3 N</p> <p>1.6 N</p>  | <p>Height</p> <p>0.65 mm</p> <p>0.65 mm</p>   | <p>Operating Life</p> <p>100,000 cycles</p> <p>100,000 cycles</p>   |
| <p>No. 2</p> <p><b>EVPAF</b></p> <p>(Embossed Taping)</p> <p>With J-bent terminals</p>  |    |   | <p>General dimension tolerance : ± 0.1<br/>( ) dimensions are reference dimensions.</p>  <p>PWB land pattern for reference</p> <p>Part of A-A' terminal is exposed at  area.<br/>Any land pattern or vias shall not be provided at  area.</p> |
| <p>Part Numbers</p> <p>EVPAF5B70</p> <p>EVPAF7B70</p>  | <p>Operating Force</p> <p>3.4 N</p> <p>2.4 N</p>  | <p>Height</p> <p>0.70 mm</p> <p>0.70 mm</p>   | <p>Operating Life</p> <p>100,000 cycles</p> <p>500,000 cycles</p>   |

Design and specifications are each subject to change without notice. Ask factory for the current technical specifications before purchase and/or use.  
Should a safety concern arise regarding this product, please be sure to contact us immediately.

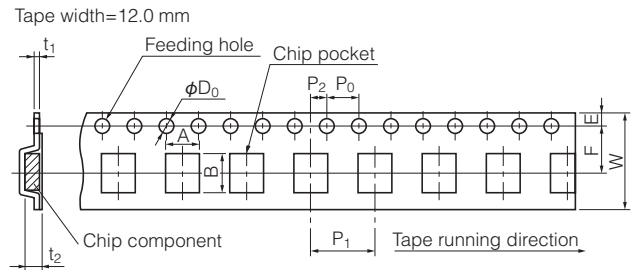
### ■ Dimensions in mm (not to scale)

|   |   |         |                |
|---|---|---------|----------------|
| <p>No. 3</p> <p>EVPAF</p> <p>Low profile<br/>(Embossed Taping)</p> <p>With J-bent terminals</p>  | <p>General dimension tolerance : <math>\pm 0.1</math><br/>( ) dimensions are reference dimensions.</p>     <p>PWB land pattern for reference</p> <p>Part of A-A' terminal is exposed at  area.<br/>Any land pattern or vias shall not be provided at  area.</p>  <p>Circuit diagram</p> |         |                |
| Part Numbers  | Operating Force   | Height  | Operating Life |
| EVPAFB65  | 1.6 N   | 0.65 mm | 500,000 cycles |
| EVPAF7B65   | 2.4 N   | 0.65 mm | 500,000 cycles |
| EVPAF5B65   | 3.4 N   | 0.65 mm | 100,000 cycles |

### ■ Recommended Reflow Soldering Conditions



### ● Embossed Carrier Taping



Taping condition : Lack of products in the middle of taping should be one MAX, but total quantity specified in the specifications should be secured.

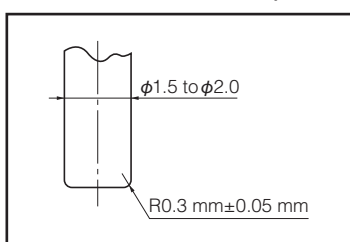
Peeling off strength of top tape : It should be within 0.2N to 1.0N at 165 degree in peeling off angle.

Joint of carrier tape : One joint per one reel may exist.

Unit: mm

| Part No. | Height    | A        | B        | W        | F       | E        | P <sub>1</sub> | P <sub>2</sub> | P <sub>0</sub> | D <sub>0</sub> Dia | t <sub>1</sub> | t <sub>2</sub> |
|----------|-----------|----------|----------|----------|---------|----------|----------------|----------------|----------------|--------------------|----------------|----------------|
| EVPAF    | 0.65/0.70 | 3.75±0.2 | 2.95±0.2 | 12.0±0.3 | 5.5±0.1 | 1.75±0.1 | 8.0±0.1        | 2.0±0.1        | 4.0±0.1        | 1.5±0.3            | 0.3±0.1        | 0.8±0.2        |
| EVPAF    |           |          |          |          |         |          |                |                |                |                    |                |                |

### ■ Recommended Shape of Test Pole



Design and specifications are each subject to change without notice. Ask factory for the current technical specifications before purchase and/or use.  
Should a safety concern arise regarding this product, please be sure to contact us immediately.