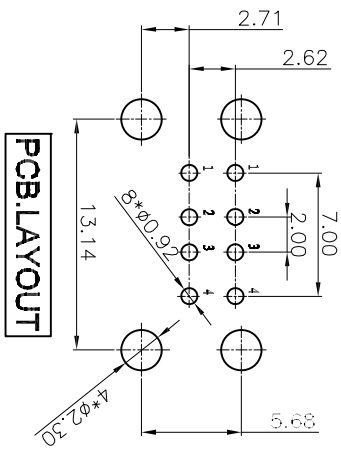
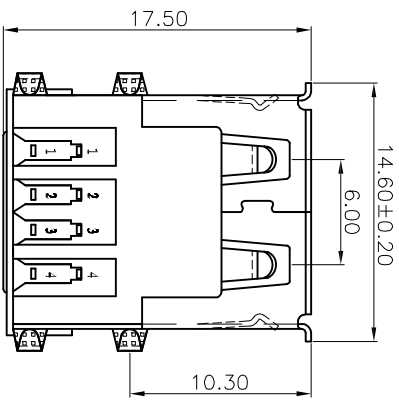


- NOTES:
1. MATERIAL:
- 1.1 Housing:thermoplastic plastics
 - 1.2 thrminals:Copper Alloy
 - Gold plated in acontact area:
 - Tin plated in termination
 - Nickel Plated overall
 - 3 Shell:Steel&Copper Alloy
 - Nickel Plated overall
2. ELECTRICAL CHARACTERISTICS:
- 2.1 Rating Current:1.5 Ampere
 - 2.2 Rating Voltage:30 V Max
 - 2.3 Contact Resistance:30 Milli ohms Min
 - 2.4 Insulation Resistance:1000 Mega ohms Min.
3. MECHANICAL CHARACTERISTICS:
- 3.1 Connector Mating force:35N MAX(3.57Kgf)
 - 3.2 Connector Unmating force:10N min(1.02Kgf)
 - 3.3 Durability:1500Cycles:
4. ENVIRONMENT CHARACTERISTICS:
- 4.1 Operating temperature:-0° C to +50° C
 - 4.2 Storage temprature:-20° C to +60° C



打字陵区
XXXX
月(08)
年(11)
例:
1108
2011年8月

usb引脚定义:

引脚	功能
1	V BUS
2	DATA-
3	DATA+
4	GND

TOLERANCE TABLE

.0	±0.30
.00	±0.20
.000	±0.05

APPROVED:

DATE:

CHECKED:

DATE:

DRAWN:

DATE:

SXA

2019-04-27

TITLE:

USB-A/F-1*4P 90度弯插 白胶 铜壳 双层半包无弹

PROD. P/N U-USBAR04P-F201

UNIT mm SCALE Free

FILE NO. / REV. A HLW0

深圳市灿科盟实业有限公司
Ckmtw CHANKLEMENT INDUSTRYCO., LTD