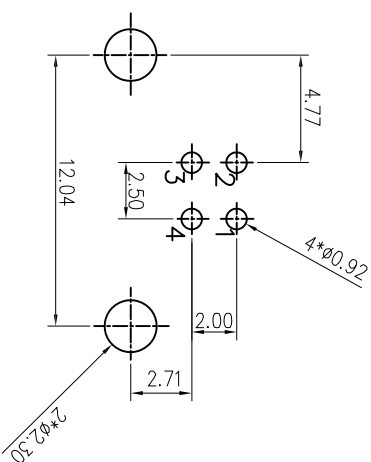
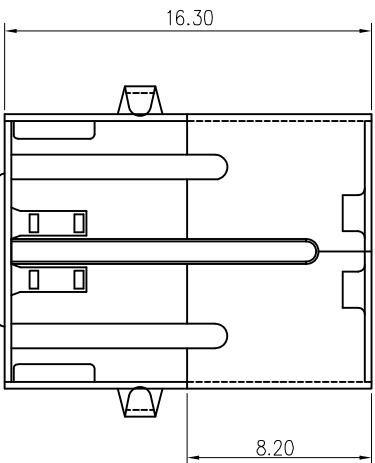
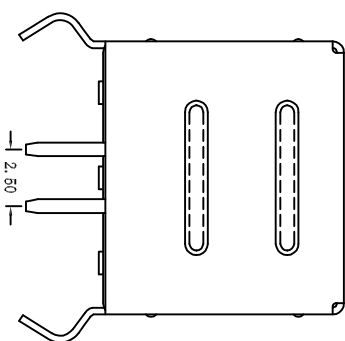
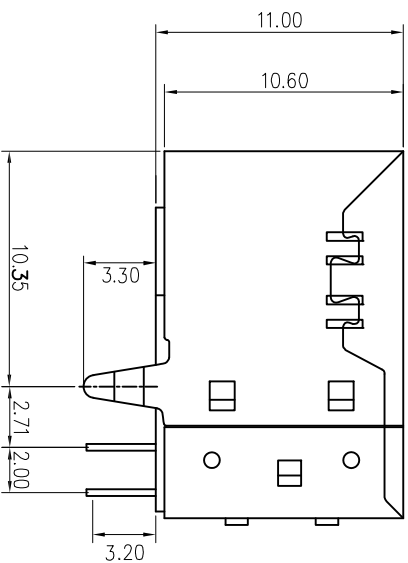
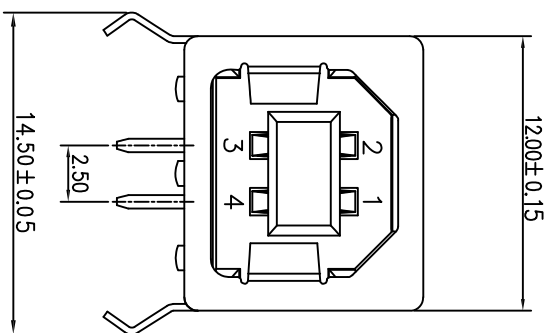


客户确认

日期



规格说明: Specifications:

电气特性: Electrical:

- 1. 额定电流: Current Rating
1.5A/contact terminal
- 2. 额定电压: Voltage Rating
30V DC
- 3. 接触电阻: Contact Resistance
30 milliohms MAX
- 4. 耐电压: Dielectric Withstanding Voltage:
500 V AC AT Sea Level
- 5. 绝缘电阻: Insulation Resistance:
1000MΩ±5% ohms MIN

物理性能: Mechanical:

- 1. 插拔力: Connector Mate and Unmate Force
Mate force: 3.75lbf (MAX)
Unmate force: 1.02lbf (MIN)
- 2. 端子保持力: Terminal Retention
1.2lbf (MIN)

原材料: Material:

- 1. 塑胶: Housing:
Hing Temperature Thermoplastics,
UL 94V-0 PBT White
 - 2. 端子: Contact: Copper Alloy C2680
 - 3. 外壳: Shell: Copper Alloy C2680/SPCC
- 电镀: Finish:
1. 端子: Contact: Plated Gold in Mating Area:
Tin On Solder Tails
2. 外壳: Shell:
Nickel Plating

TOLERANCE TABLE	
.0	±0.20
.00	±0.10
.000	±0.05

APPROVED:	DATE:	Ckmtw 深圳市灿科盟实业有限公司 CHANKEMENG INDUSTRYCO., LTD	
CHECKED:	DATE:	TITLE: USB-B/F-2*2P 90度弯插 DIP 白胶芯 铜壳	
DRAWN:	DATE:	CLIENT P/N	U-USBRR04P-F001
SXA	2019-4-27	UNIT	SCALE
		mm	Free
		FILE NO.	Ckmtw-USB-00071
		REV.	A