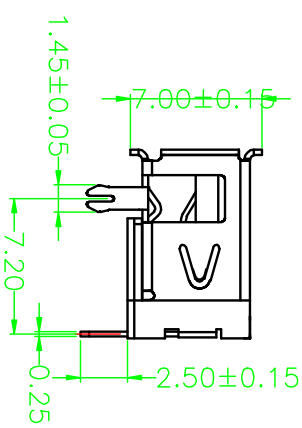
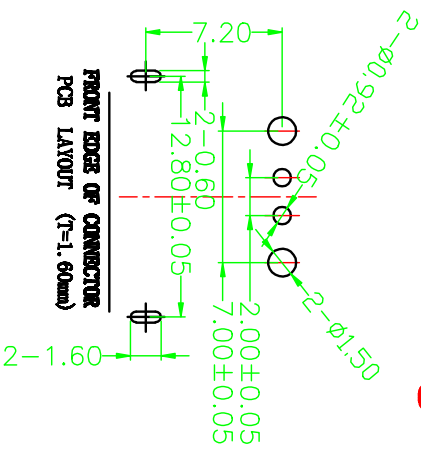
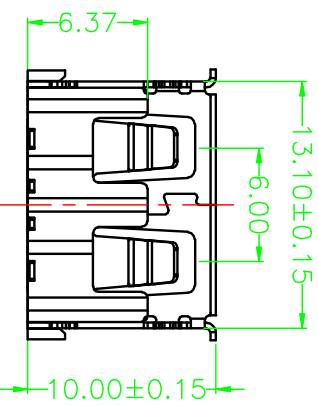
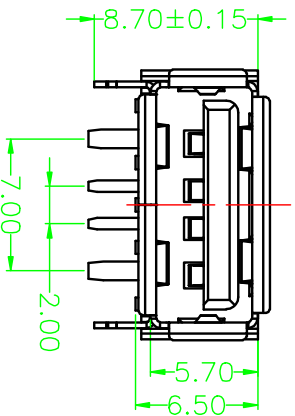
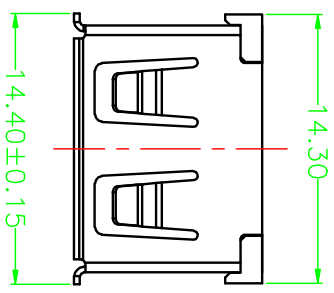


USB AF 90° DIP 前两脚有边 H6.5mm

RoHS

Parts Drawing

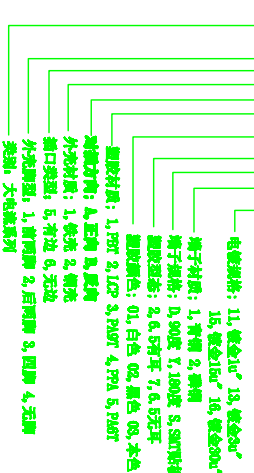


1	918-151A1012D211	1
2		2
3		3
4		4

Note:

- Material:
 - Housing: High temperature thermoplastic with/black 9-f, UL94v-0
 - Contact: copper alloy, t=0.25mm
 - Shell: copper/Ferroalloy alloy, t=0.30mm
- Specification:
 - Current rating: 1.5A Max.
 - Dielectric withstanding voltage: 100 V(ac) for 1 min.
 - Contact resistance: 30 mΩ Max.
 - Insulation resistance: 100 MΩ Min.
 - Total mating force: 3.57 Kgf Max.
 - Total unmating force: 1.0 Kgf Min.
- Finish:
 - Contact: Plated Gold in Mating Area; Tin On Solder Tails
 - Shell: Nickel Plating
- Environmental:
 - Temperature range: -55°C~85°C

PART ON: 918-15XXXXXXDXXX



DRAWN		丹 深圳市精拓金电子有限公司	
CHECKED		TITLE	USB AF DIP大电流前两脚
APPROVED		有边H6.5mm	
UNIT	mm	TOLERANCE	XXX±10, XX±25, X±38, ANG±5°
3rd ANGLE PROJECTION		DRAWING NO.	R918151A1012D211
		PART NO.	SEE PART ON
SCALE	1:1	SHEET	1 OF 1
SIZE	A4	REV.	X1