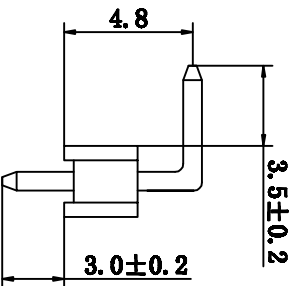
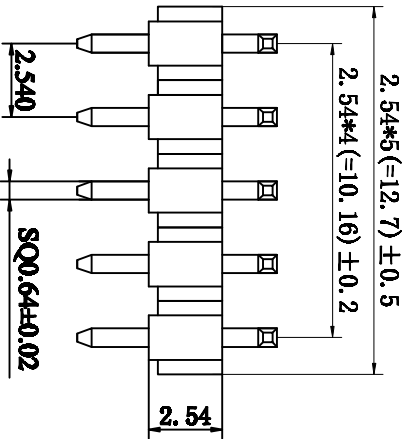
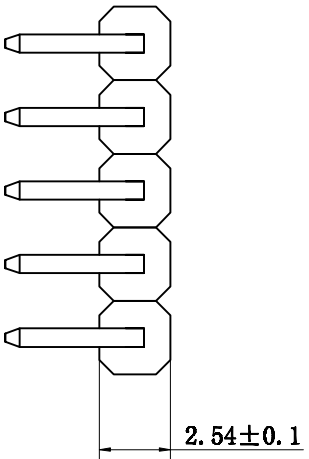


客户确认  
日期



**MATERIAL**

Insulator: PA6T UL94V-0  
Contact pin: Brass  
Contact plated: Gold Flash All Over Nickel

**Specification**

Current Rating : 3Amp  
Insulation Resistance : 1000MΩ Min  
Contact Resistance: 20 Milliohms Max  
Dielectric withstanding Voltage: AC 500V  
Operation Temperature : -40℃ -- +105℃

TOLERANCE TABLE

.0	±0.20
.00	±0.10
.000	±0.05

APPROVED:	DATE:	<b>C</b> 深圳市灿科盟实业有限公司 CHANKEMENG INDUSTRY CO., LTD
CHECKED:	DATE:	
DRAWN:	DATE:	TITLE:
YAN	2011-01-26	210R-1*5P 3.5/4.8/2.54/3.0
CLIENT P/N		UNIT
		mm
SCALE		Free
FILE NO.	S007200246	REV.
		A