

Dual Enhancement Mode MOSFET (N- and P-Channel)

Features

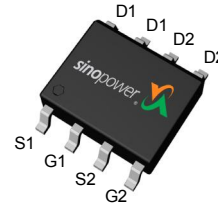
- N-Channel
60V/5.1A,
 $R_{DS(ON)} = 40m\Omega(max.) @ V_{GS} = 10V$
 $R_{DS(ON)} = 48m\Omega(max.) @ V_{GS} = 4.5V$
- P-Channel
-60V/-3.7A,
 $R_{DS(ON)} = 95m\Omega(max.) @ V_{GS} = -10V$
 $R_{DS(ON)} = 130m\Omega(max.) @ V_{GS} = -4.5V$
- Reliable and Rugged
- Lead Free and Green Devices Available (RoHS Compliant)
- ESD protection

Note : The diode connected between the gate and source serves only as protection against ESD. No gate overvoltage rating is implied.

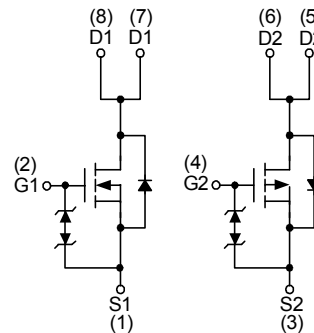
Applications

- Power Management in Notebook Computer, Portable Equipment and Battery Powered Systems.

Pin Description

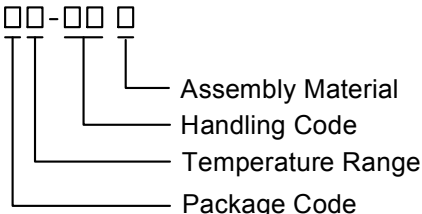
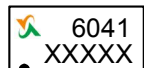


Top View of SOP-8



N-Channel MOSFET P-Channel MOSFET

Ordering and Marking Information

<p>SM6041CS □□-□□ □</p> 	<p>Package Code K : SOP-8 Operating Junction Temperature Range C : -55 to 150 °C Handling Code TR : Tape & Reel (2500ea/reel) Assembly Material G : Halogen and Lead Free Device</p>
<p>SM6041CS K : </p>	<p>XXXXX - Lot Code</p>

Note : SINOPOWER lead-free products contain molding compounds/die attach materials and 100% matte tin plate termination finish; which are fully compliant with RoHS. SINOPOWER lead-free products meet or exceed the lead-free requirements of IPC/JEDEC J-STD-020D for MSL classification at lead-free peak reflow temperature. SINOPOWER defines "Green" to mean lead-free (RoHS compliant) and halogen free (Br or Cl does not exceed 900ppm by weight in homogeneous material and total of Br and Cl does not exceed 1500ppm by weight).

SINOPOWER reserves the right to make changes to improve reliability or manufacturability without notice, and advise customers to obtain the latest version of relevant information to verify before placing orders.

Absolute Maximum Ratings ($T_A = 25^\circ\text{C}$ unless otherwise noted)

Symbol	Parameter	N Channel	P Channel	Unit	
Common Ratings					
V_{DSS}	Drain-Source Voltage	60	-60	V	
V_{GSS}	Gate-Source Voltage	± 20	± 20		
T_J	Maximum Junction Temperature	150		$^\circ\text{C}$	
T_{STG}	Storage Temperature Range	-55 to 150			
I_S	Diode Continuous Forward Current	$T_A=25^\circ\text{C}$	2.5	-1	A
I_D	Continuous Drain Current	$T_A=25^\circ\text{C}$	5.1	-3.7	
I_{DM}^a	Pulsed Drain Current	$T_A=25^\circ\text{C}$	20	-14	
P_D	Power Dissipation	$T_A=25^\circ\text{C}$	2	2	W
		$T_A=70^\circ\text{C}$	1.3	1.3	
$R_{\theta JA}$	Thermal Resistance-Junction to Ambient	$t \leq 10\text{s}$	62.5	62.5	$^\circ\text{C/W}$
		Steady State	90	90	
$R_{\theta JL}$	Thermal Resistance-Junction to Lead	Steady State	50	50	
I_{AS}^b	Avalanche Current, Single pulse (L=0.1mH)		16	-18	A
E_{AS}^b	Avalanche Energy, Single pulse (L=0.1mH)		12	16	mJ

Note a : Pulse width limited by max. junction temperature.

Note b : UIS tested and pulse width limited by maximum junction temperature 150°C (initial temperature $T_J=25^\circ\text{C}$).

Electrical Characteristics (T_A = 25°C unless otherwise noted)

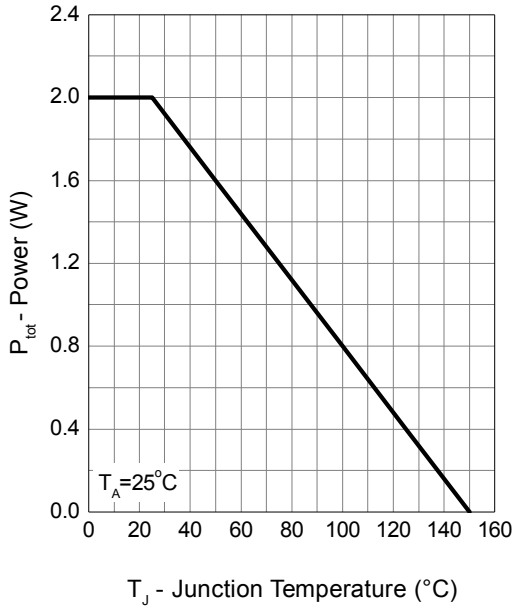
Symbol	Parameter	Test Conditions	N Channel			Unit
			Min.	Typ.	Max.	
Static Characteristics						
BV _{DSS}	Drain-Source Breakdown Voltage	V _{GS} =0V, I _{DS} =250μA	60	-	-	V
I _{DSS}	Zero Gate Voltage Drain Current	V _{DS} =48V, V _{GS} =0V T _J =85°C	-	-	1 30	μA
V _{GS(th)}	Gate Threshold Voltage	V _{DS} =V _{GS} , I _{DS} =250μA	1	2	3	V
I _{GSS}	Gate Leakage Current	V _{GS} =±20V, V _{DS} =0V	-	-	±10	μA
R _{DS(ON)}	Drain-Source On-state Resistance	V _{GS} =10V, I _{DS} =5A	-	33	40	mΩ
		V _{GS} =4.5V, I _{DS} =4A	-	37	48	
Diode Characteristics						
V _{SD}	Diode Forward Voltage	I _{SD} =2.5A, V _{GS} =0V	-	0.8	1.3	V
t _{rr}	Reverse Recovery Time	I _{DS} =5A, dI _{SD} /dt=100A/μs	-	20	-	ns
Q _{rr}	Reverse Recovery Charge		-	20	-	nC
Dynamic Characteristics						
R _G	Gate Resistance	V _{GS} =0V, V _{DS} =0V, F=1MHz	-	3	-	Ω
C _{iss}	Input Capacitance	V _{GS} =0V, V _{DS} =30V, Frequency=1.0MHz	-	670	940	pF
C _{oss}	Output Capacitance		-	70	-	
C _{rss}	Reverse Transfer Capacitance		-	35	-	
t _{d(ON)}	Turn-on Delay Time	V _{DD} =30V, R _L =30Ω, I _{DS} =1A, V _{GEN} =10V, R _G =6Ω	-	8	15	ns
t _r	Turn-on Rise Time		-	6	11	
t _{d(OFF)}	Turn-off Delay Time		-	23	42	
t _f	Turn-off Fall Time		-	6	11	
Gate Charge Characteristics						
Q _g	Total Gate Charge	V _{DS} =30V, V _{GS} =4.5V, I _{DS} =5A	-	7	-	nC
Q _g	Total Gate Charge	V _{DS} =30V, V _{GS} =10V, I _{DS} =5A	-	14	20	
Q _{gs}	Gate-Source Charge		-	2.6	-	
Q _{gd}	Gate-Drain Charge		-	2.6	-	
Q _{gth}	Threshold Gate Charge	-	2.2	-		

Electrical Characteristics (Cont.) ($T_A = 25^\circ\text{C}$ unless otherwise noted)

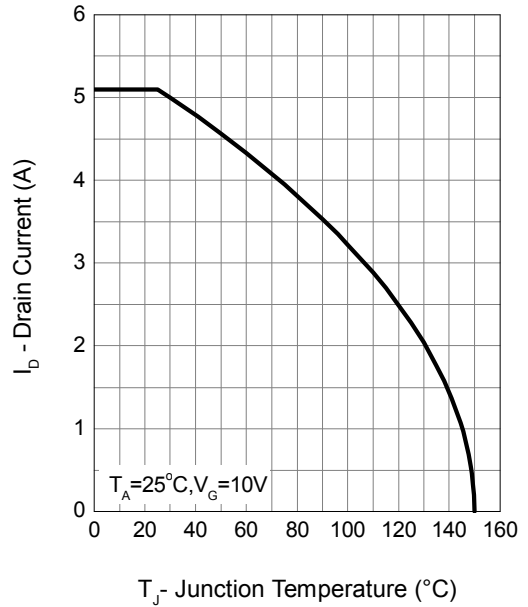
Symbol	Parameter	Test Conditions	P Channel			Unit
			Min.	Typ.	Max.	
Static Characteristics						
BV_{DSS}	Drain-Source Breakdown Voltage	$V_{GS}=0V, I_{DS}=-250\mu A$	-60	-	-	V
I_{DSS}	Zero Gate Voltage Drain Current	$V_{DS}=-48V, V_{GS}=0V$ $T_J=85^\circ\text{C}$	-	-	-1	μA
$V_{GS(th)}$	Gate Threshold Voltage	$V_{DS}=V_{GS}, I_{DS}=-250\mu A$	-1.5	-2	-2.5	V
I_{GSS}	Gate Leakage Current	$V_{GS}=\pm 20V, V_{DS}=0V$	-	-	± 10	μA
$R_{DS(ON)}$	Drain-Source On-state Resistance	$V_{GS}=-10V, I_{DS}=-3.7A$	-	75	95	$m\Omega$
		$V_{GS}=-4.5V, I_{DS}=-2A$	-	95	130	
Diode Characteristics						
V_{SD}	Diode Forward Voltage	$I_{SD}=-1A, V_{GS}=0V$	-	-0.7	-1	V
t_{rr}	Reverse Recovery Time	$I_{sd}=-3.7A, di_{SD}/dt=100A/\mu s$	-	20	-	ns
Q_{rr}	Reverse Recovery Charge		-	15	-	nC
Dynamic Characteristics						
R_G	Gate Resistance	$V_{GS}=0V, V_{DS}=0V, F=1\text{MHz}$	-	10	-	Ω
C_{iss}	Input Capacitance	$V_{GS}=0V,$ $V_{DS}=-30V,$ Frequency=1.0MHz	-	500	-	pF
C_{oss}	Output Capacitance		-	66	-	
C_{riss}	Reverse Transfer Capacitance		-	32	-	
$t_{d(ON)}$	Turn-on Delay Time	$V_{DD}=-30V, R_L=30\Omega,$ $I_{DS}=-1A, V_{GEN}=-10V,$ $R_G=6\Omega$	-	7.5	-	ns
t_r	Turn-on Rise Time		-	4.5	-	
$t_{d(OFF)}$	Turn-off Delay Time		-	38	-	
t_f	Turn-off Fall Time		-	28	-	
Gate Charge Characteristics						
Q_g	Total Gate Charge	$V_{DS}=-30V, V_{GS}=-4.5V,$ $I_{DS}=-3.7A$	-	6	-	nC
Q_g	Total Gate Charge	$V_{DS}=-30V, V_{GS}=-10V,$ $I_{DS}=-3.7A$	-	12	-	
Q_{gs}	Gate-Source Charge		-	1.3	-	
Q_{gd}	Gate-Drain Charge		-	1.5	-	
Q_{gth}	Threshold Gate Charge		-	3	-	

N Channel Typical Operating Characteristics

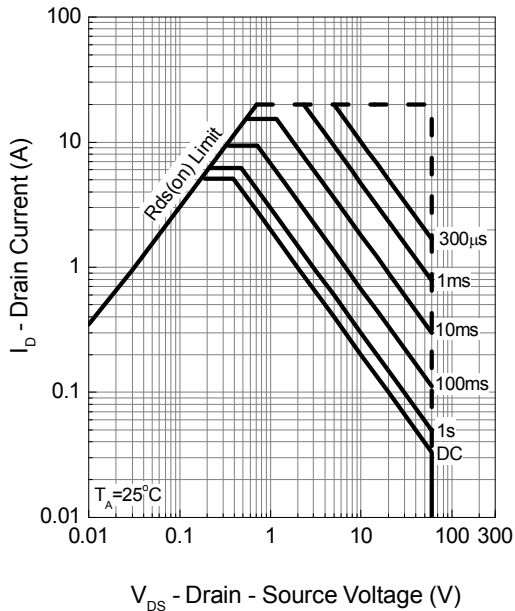
Power Dissipation



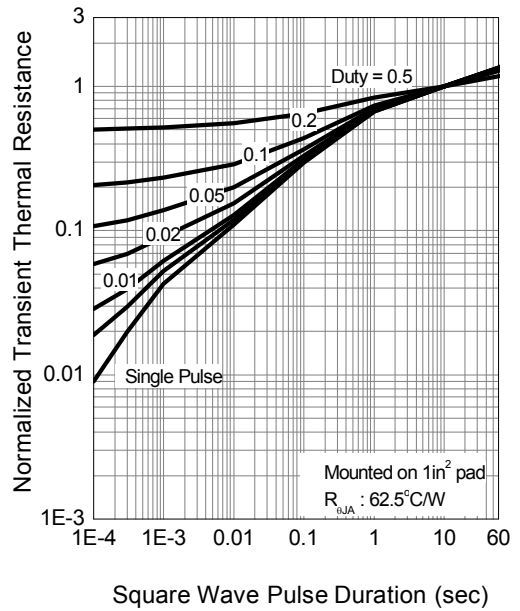
Drain Current



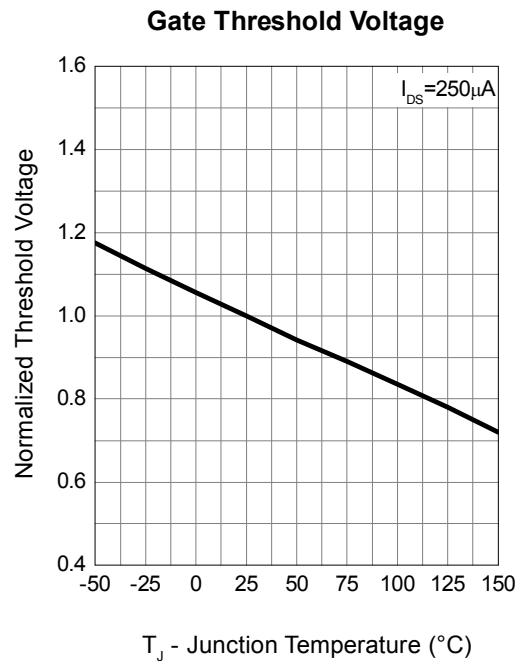
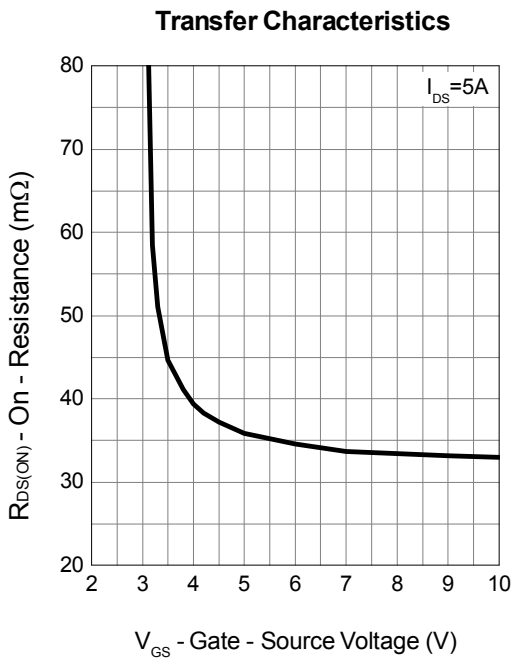
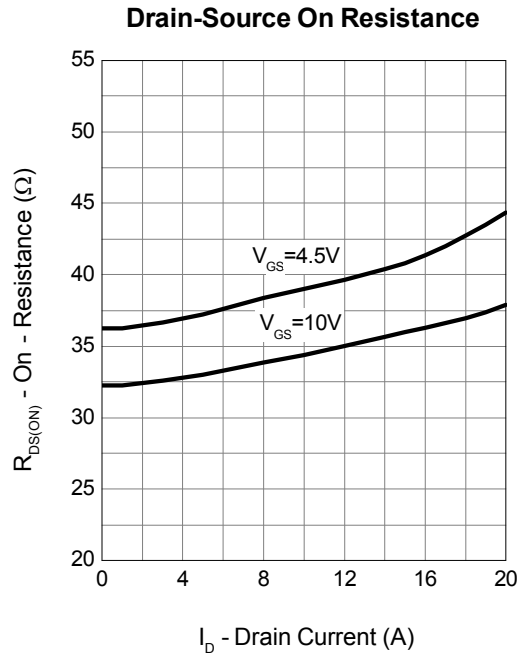
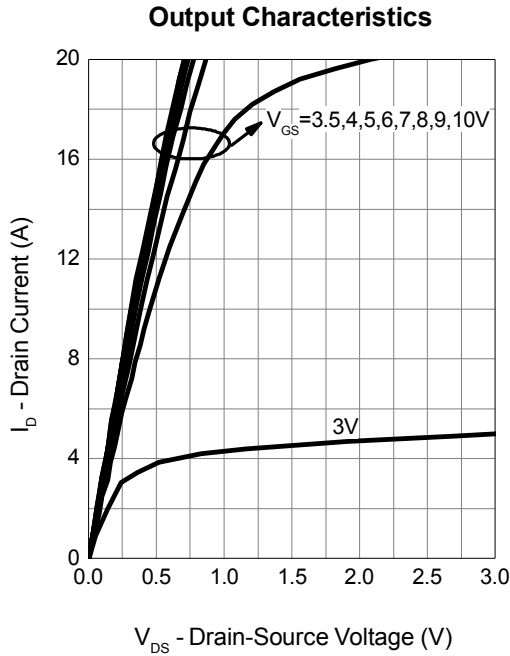
Safe Operation Area



Thermal Transient Impedance

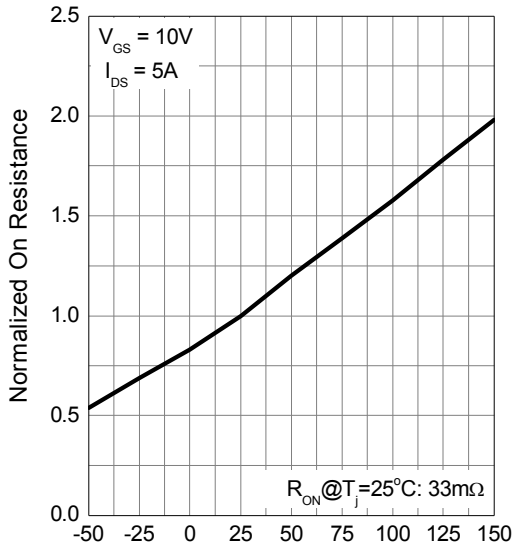


N Channel Typical Operating Characteristics (Cont.)



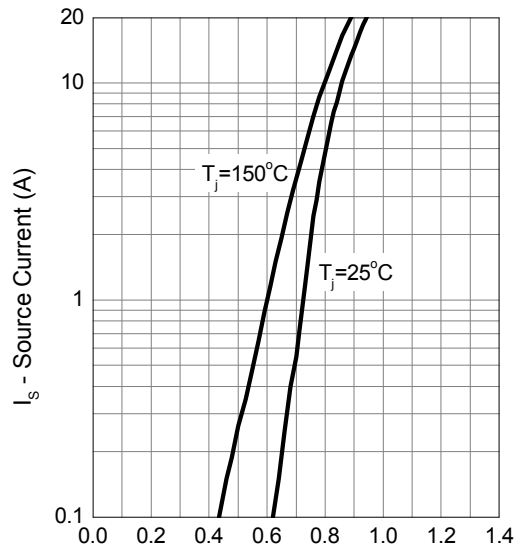
N Channel Typical Operating Characteristics (Cont.)

Drain-Source On Resistance



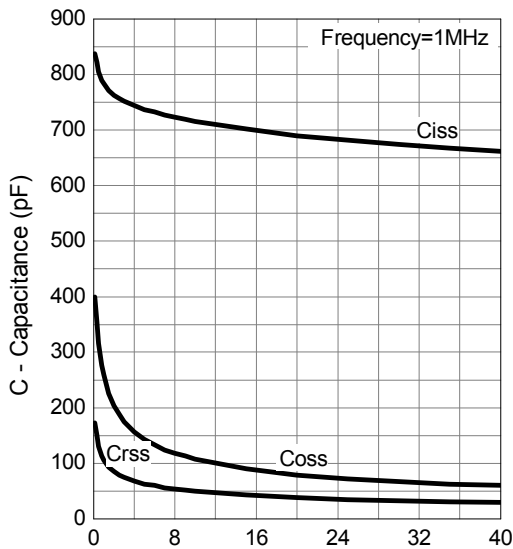
T_j - Junction Temperature (°C)

Source-Drain Diode Forward



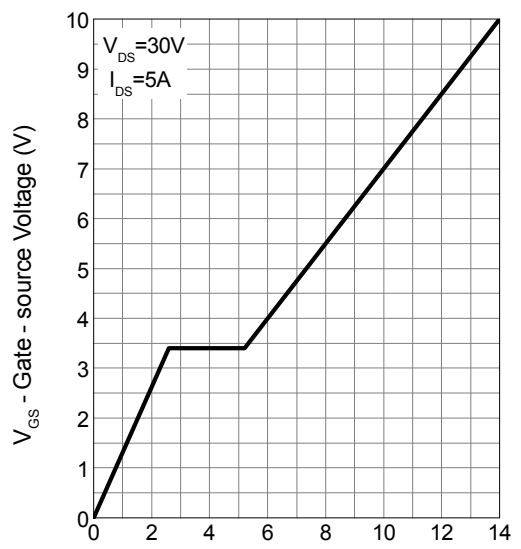
V_{SD} - Source - Drain Voltage (V)

Capacitance



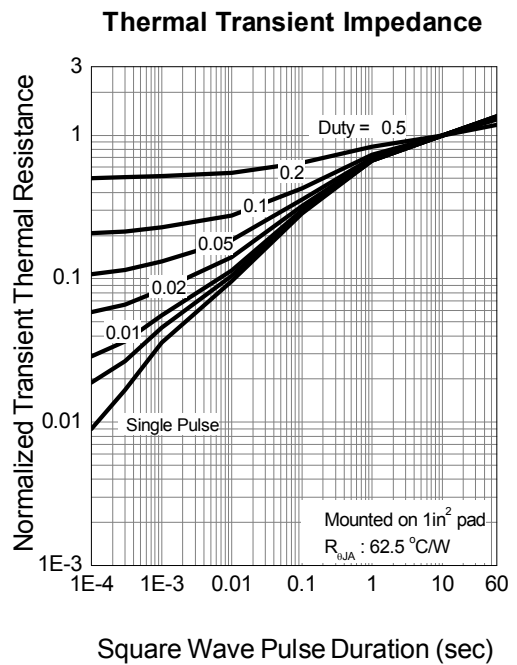
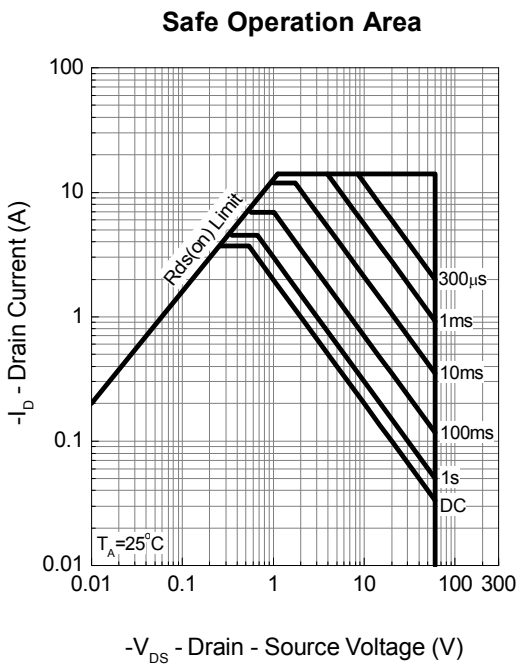
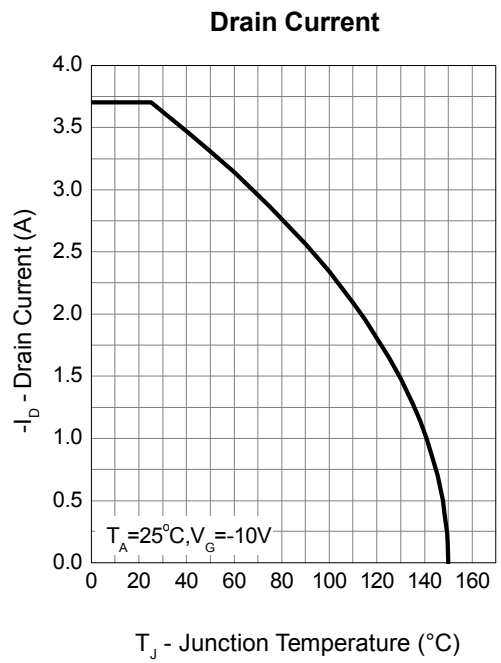
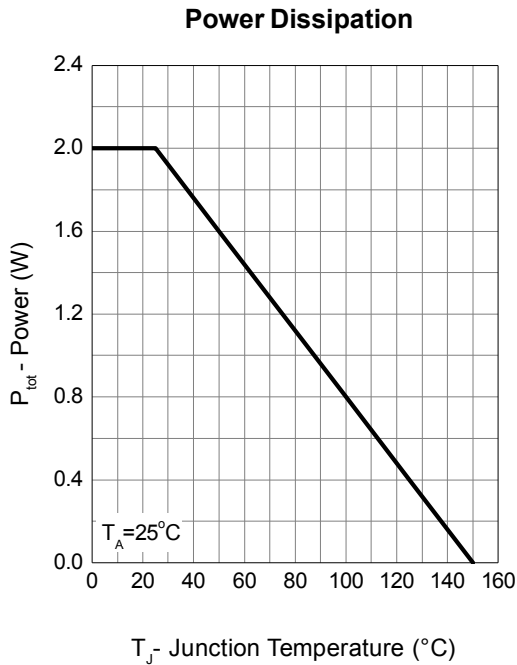
V_{DS} - Drain - Source Voltage (V)

Gate Charge

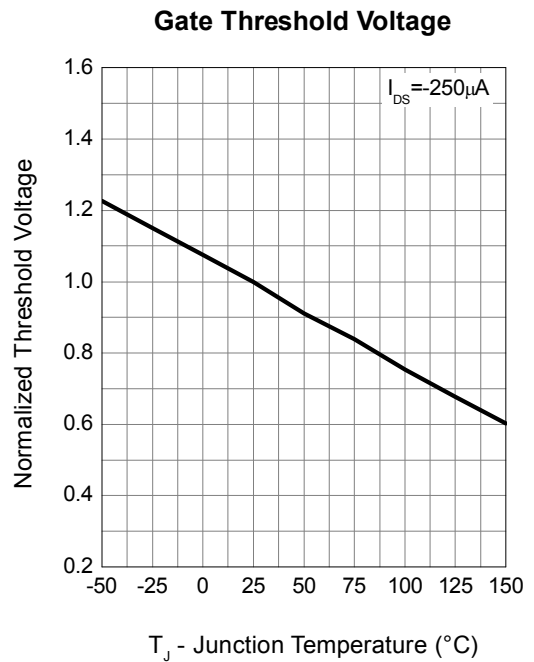
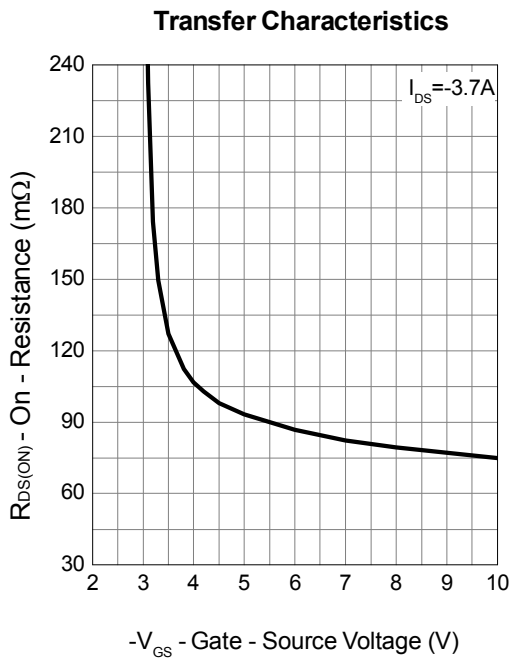
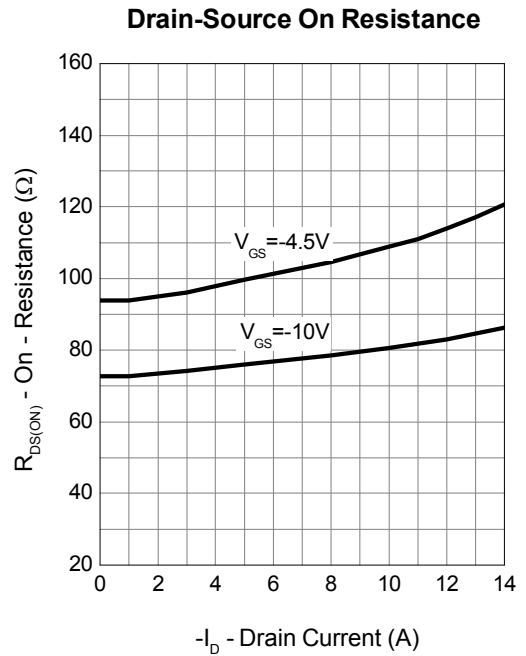
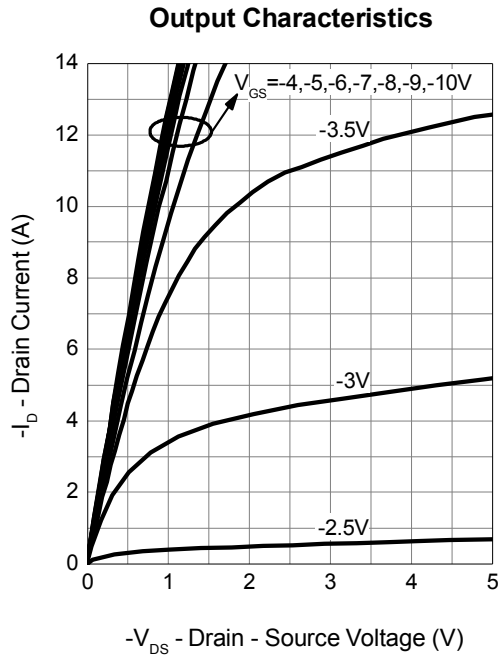


Q_g - Gate Charge (nC)

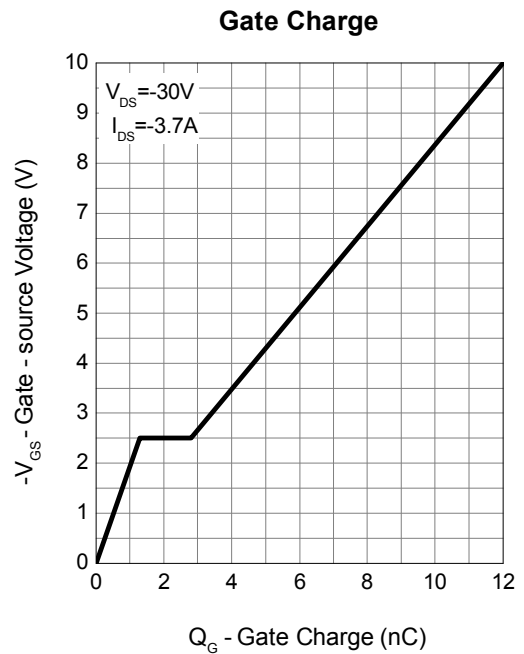
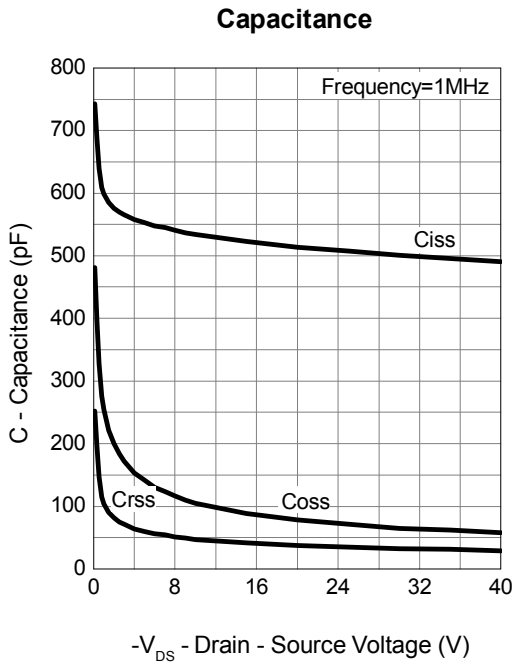
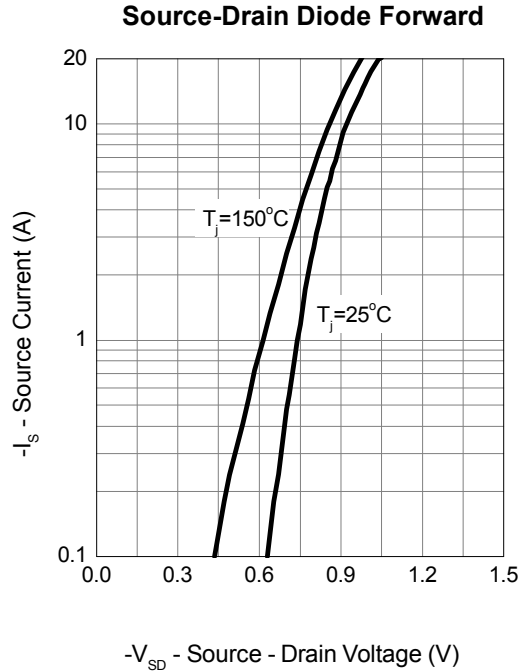
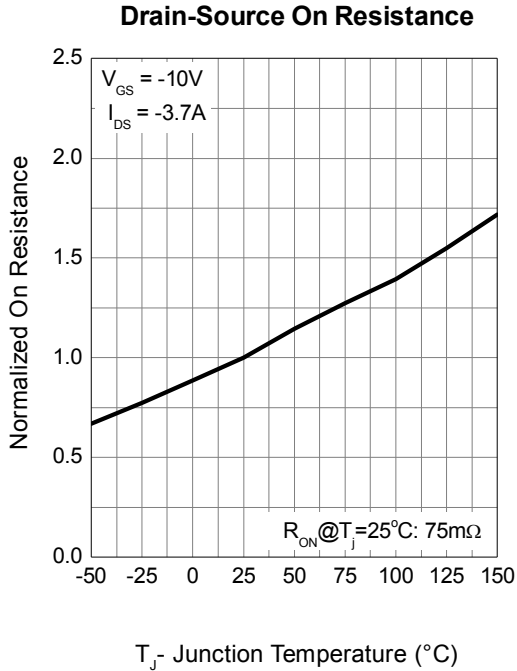
P Channel Typical Operating Characteristics



P Channel Typical Operating Characteristics (Cont.)

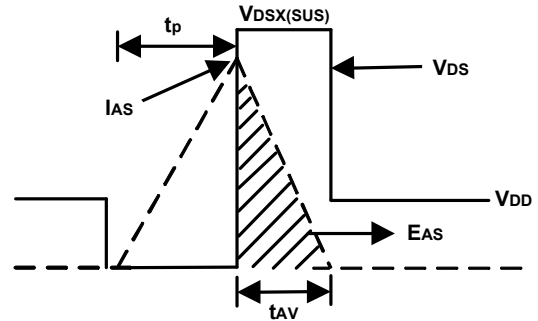
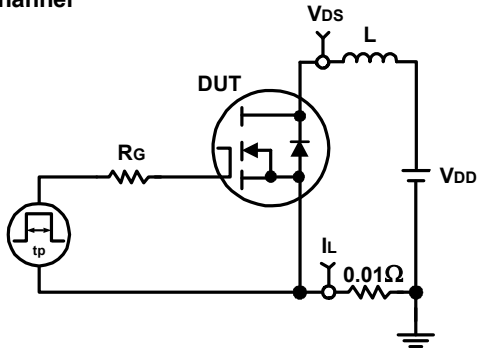


P Channel Typical Operating Characteristics (Cont.)

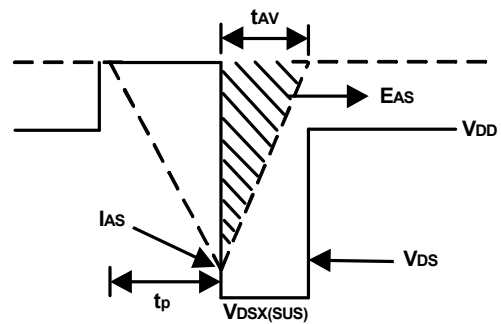
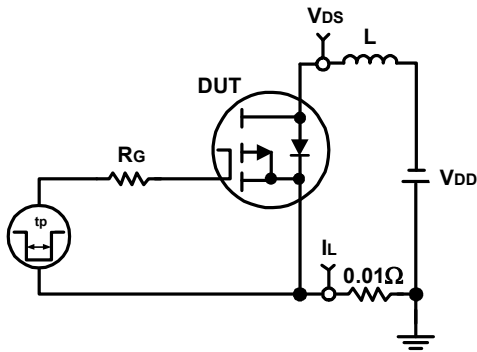


Avalanche Test Circuit and Waveforms

N Channel

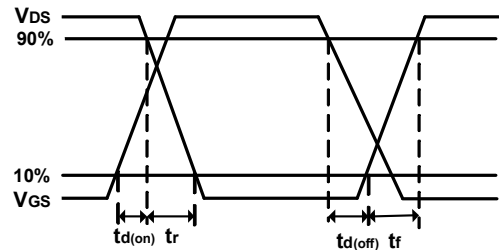
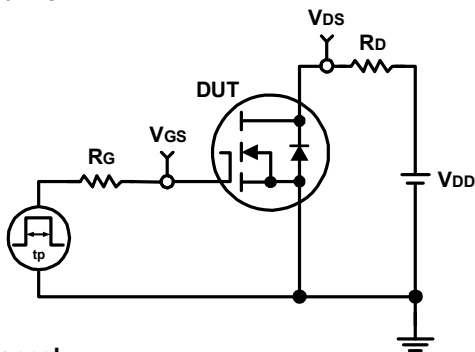


P Channel

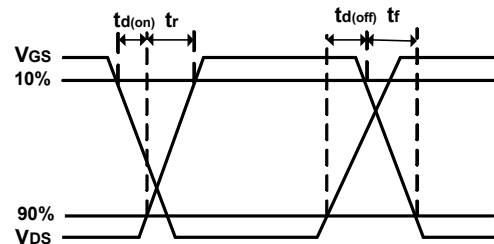
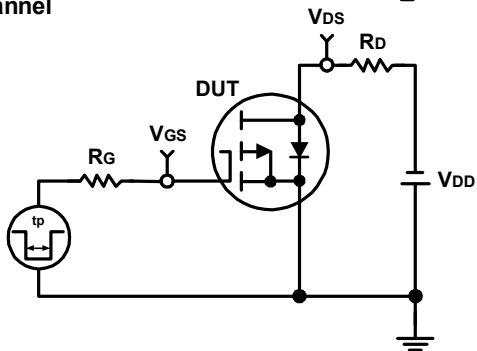


Switching Time Test Circuit and Waveforms

N Channel

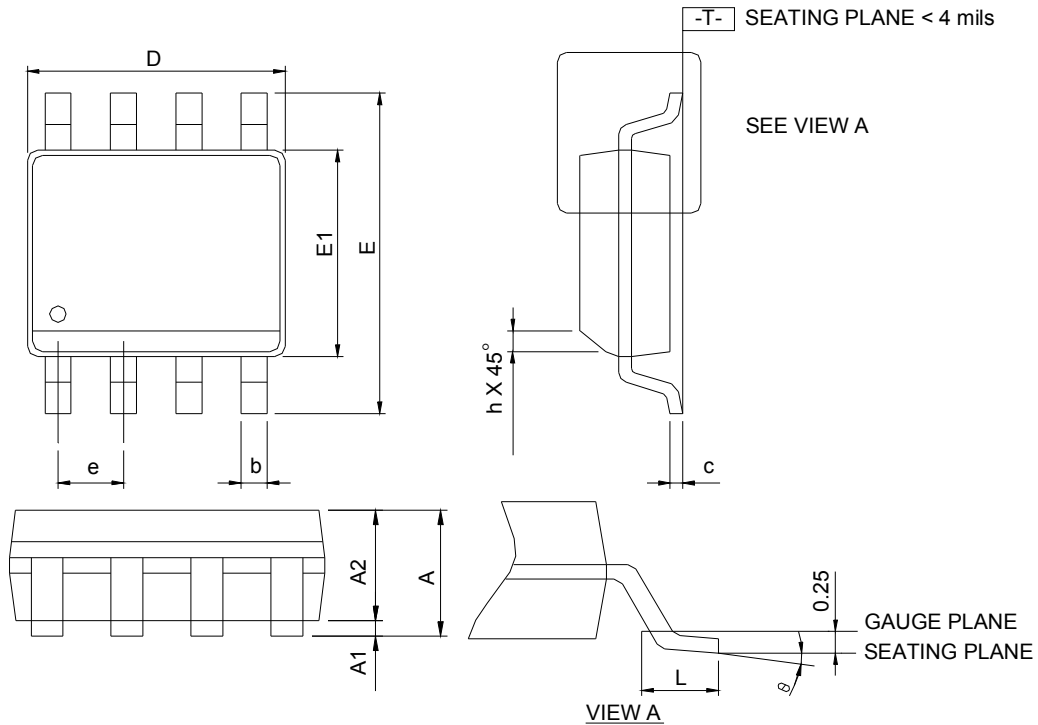


P Channel



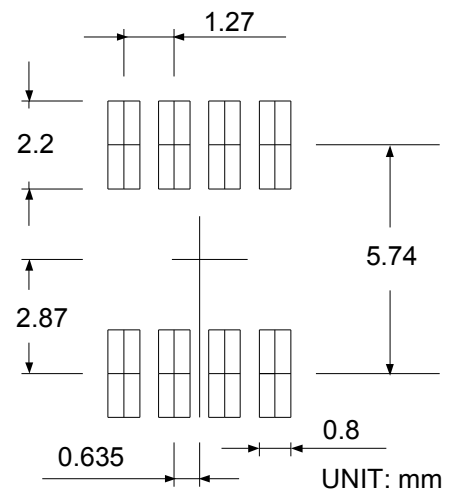
Package Information

SOP-8



SYMBOL	SOP-8			
	MILLIMETERS		INCHES	
	MIN.	MAX.	MIN.	MAX.
A	-	1.75	-	0.069
A1	0.10	0.25	0.004	0.010
A2	1.25	-	0.049	-
b	0.31	0.51	0.012	0.020
c	0.17	0.25	0.007	0.010
D	4.80	5.00	0.189	0.197
E	5.80	6.20	0.228	0.244
E1	3.80	4.00	0.150	0.157
e	1.27 BSC		0.050 BSC	
h	0.25	0.50	0.010	0.020
L	0.40	1.27	0.016	0.050
θ	0°	8°	0°	8°

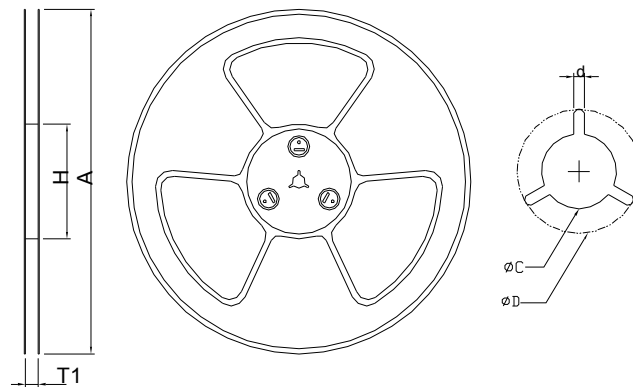
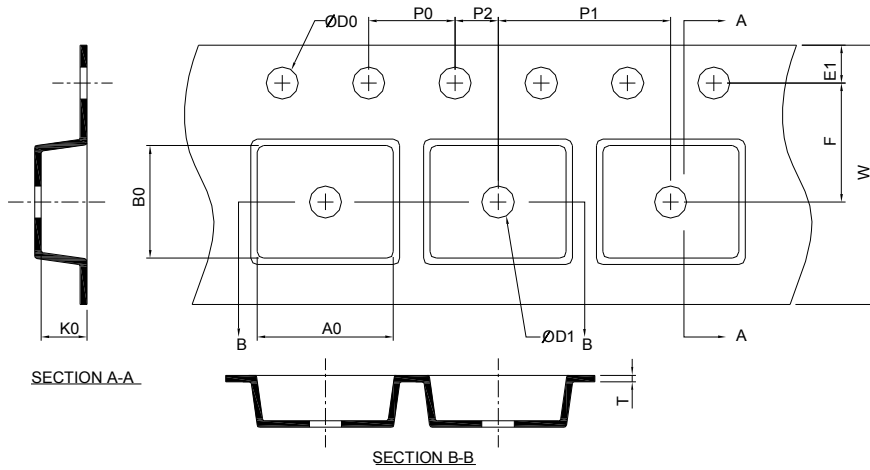
RECOMMENDED LAND PATTERN



Note: 1. Follow JEDEC MS-012 AA.

- Dimension "D" does not include mold flash, protrusions or gate burrs. Mold flash, protrusion or gate burrs shall not exceed 6 mil per side.
- Dimension "E" does not include inter-lead flash or protrusions. Inter-lead flash and protrusions shall not exceed 10 mil per side.

Carrier Tape & Reel Dimensions

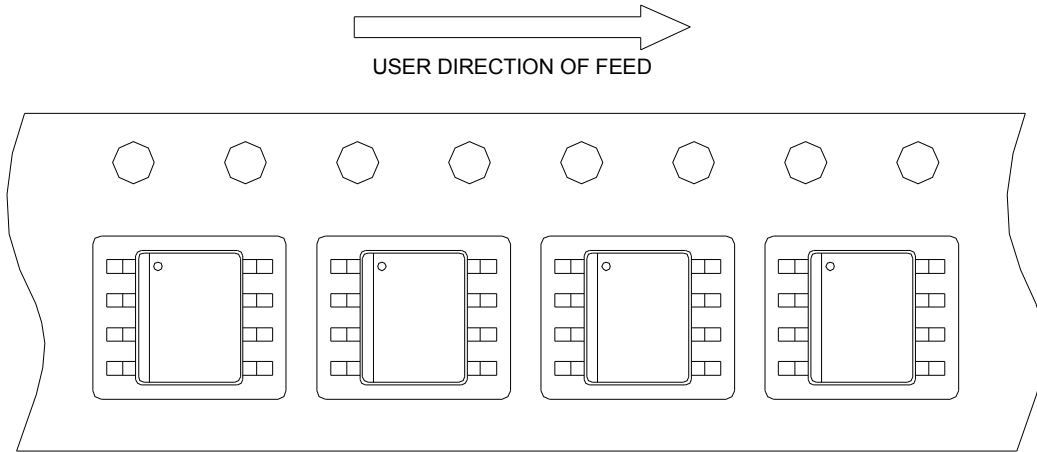


Application	A	H	T1	C	d	D	W	E1	F
SOP-8	330.0 ± 2.00	50 MIN.	$12.4 + 2.00$ -0.00	$13.0 + 0.50$ -0.20	1.5 MIN.	20.2 MIN.	12.0 ± 0.30	1.75 ± 0.10	5.5 ± 0.05
	P0	P1	P2	D0	D1	T	A0	B0	K0
	4.0 ± 0.10	8.0 ± 0.10	2.0 ± 0.05	$1.5 + 0.10$ -0.00	1.5 MIN.	$0.6 + 0.00$ -0.40	6.40 ± 0.20	5.20 ± 0.20	2.10 ± 0.20

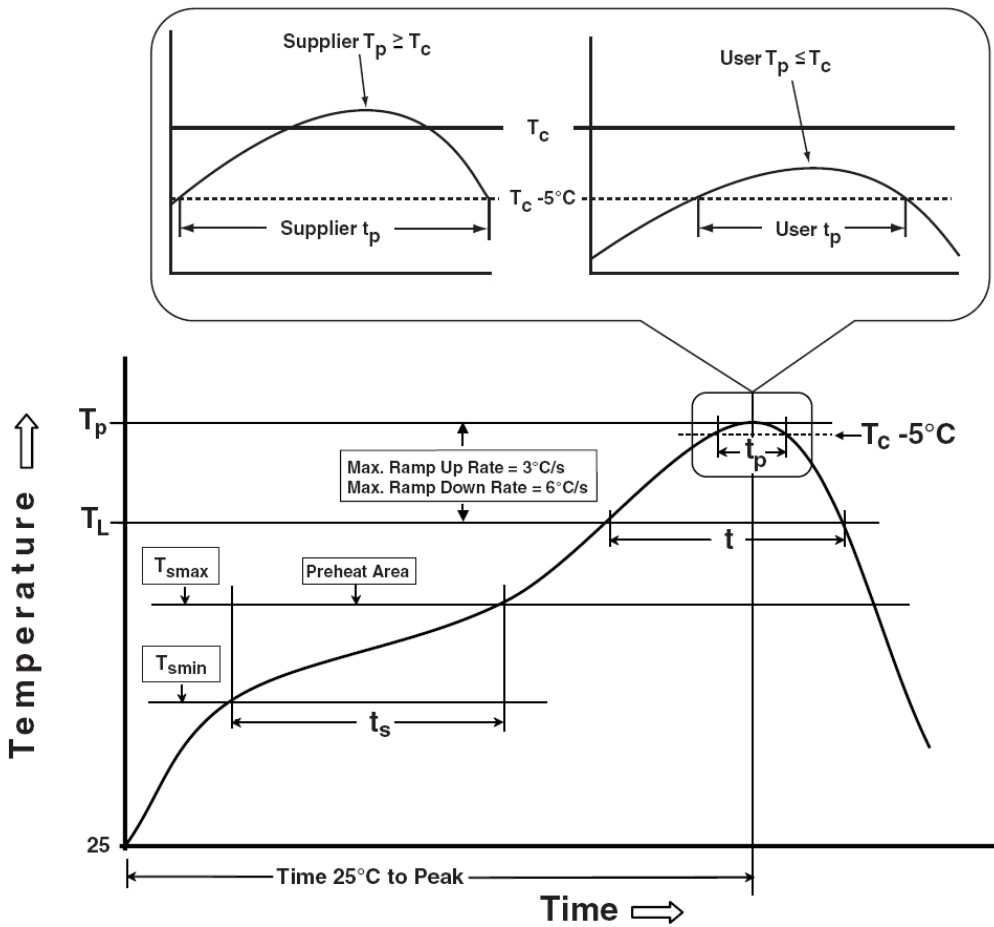
(mm)

Taping Direction Information

SOP-8



Classification Profile



Classification Reflow Profiles

Profile Feature	Sn-Pb Eutectic Assembly	Pb-Free Assembly
Preheat & Soak		
Temperature min (T_{smin})	100 °C	150 °C
Temperature max (T_{smax})	150 °C	200 °C
Time (T_{smin} to T_{smax}) (t_s)	60-120 seconds	60-120 seconds
Average ramp-up rate (T_{smax} to T_p)	3 °C/second max.	3°C/second max.
Liquidous temperature (T_L)	183 °C	217 °C
Time at liquidous (t_L)	60-150 seconds	60-150 seconds
Peak package body Temperature (T_p)*	See Classification Temp in table 1	See Classification Temp in table 2
Time (t_p)** within 5°C of the specified classification temperature (T_c)	20** seconds	30** seconds
Average ramp-down rate (T_p to T_{smax})	6 °C/second max.	6 °C/second max.
Time 25°C to peak temperature	6 minutes max.	8 minutes max.
* Tolerance for peak profile Temperature (T_p) is defined as a supplier minimum and a user maximum.		
** Tolerance for time at peak profile temperature (t_p) is defined as a supplier minimum and a user maximum.		

Table 1. SnPb Eutectic Process – Classification Temperatures (T_c)

Package Thickness	Volume mm ³ <350	Volume mm ³ ≥350
<2.5 mm	235 °C	220 °C
≥2.5 mm	220 °C	220 °C

Table 2. Pb-free Process – Classification Temperatures (T_c)

Package Thickness	Volume mm ³ <350	Volume mm ³ 350-2000	Volume mm ³ >2000
<1.6 mm	260 °C	260 °C	260 °C
1.6 mm – 2.5 mm	260 °C	250 °C	245 °C
≥2.5 mm	250 °C	245 °C	245 °C

Reliability Test Program

Test item	Method	Description
SOLDERABILITY	JESD-22, B102	5 Sec, 245°C
HTRB	JESD-22, A108	1000 Hrs, 80% of VDS max @ T_{jmax}
HTGB	JESD-22, A108	1000 Hrs, 100% of VGS max @ T_{jmax}
PCT	JESD-22, A102	168 Hrs, 100%RH, 2atm, 121°C
TCT	JESD-22, A104	500 Cycles, -65°C~150°C

Customer Service

Sinopower Semiconductor, Inc.

5F, No. 6, Dusing 1St Rd., Hsinchu Science Park,

Hsinchu, 30078, Taiwan

TEL: 886-3-5635818 Fax: 886-3-5642050