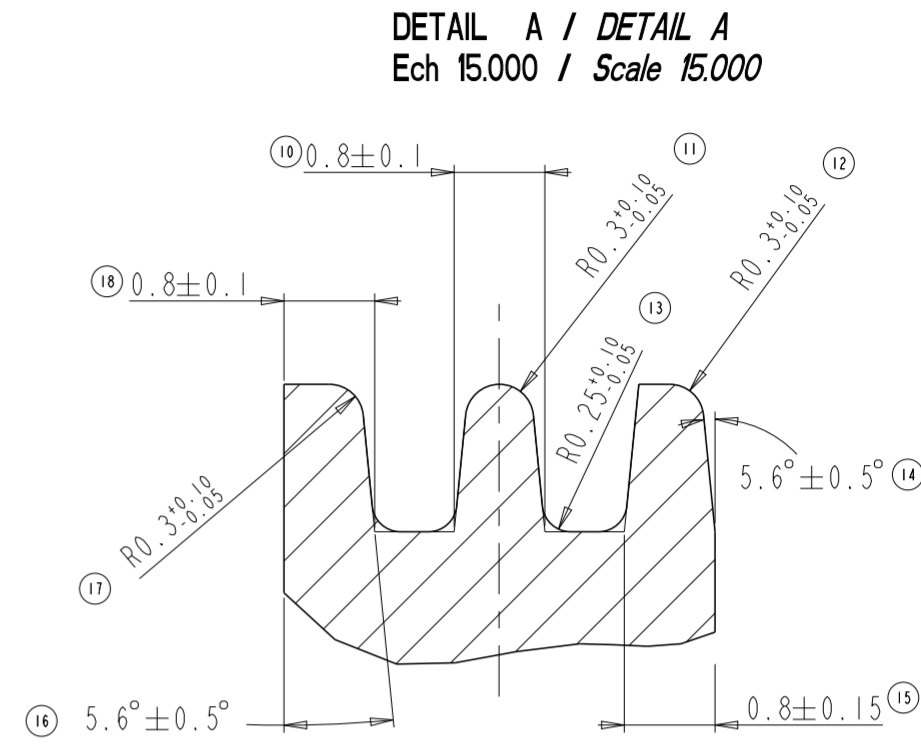
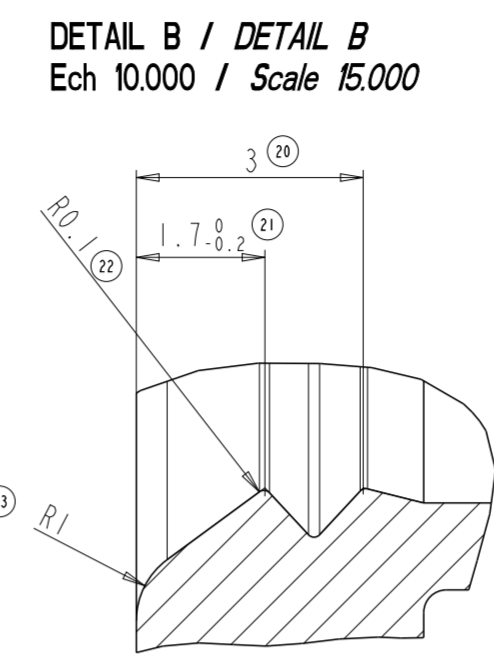
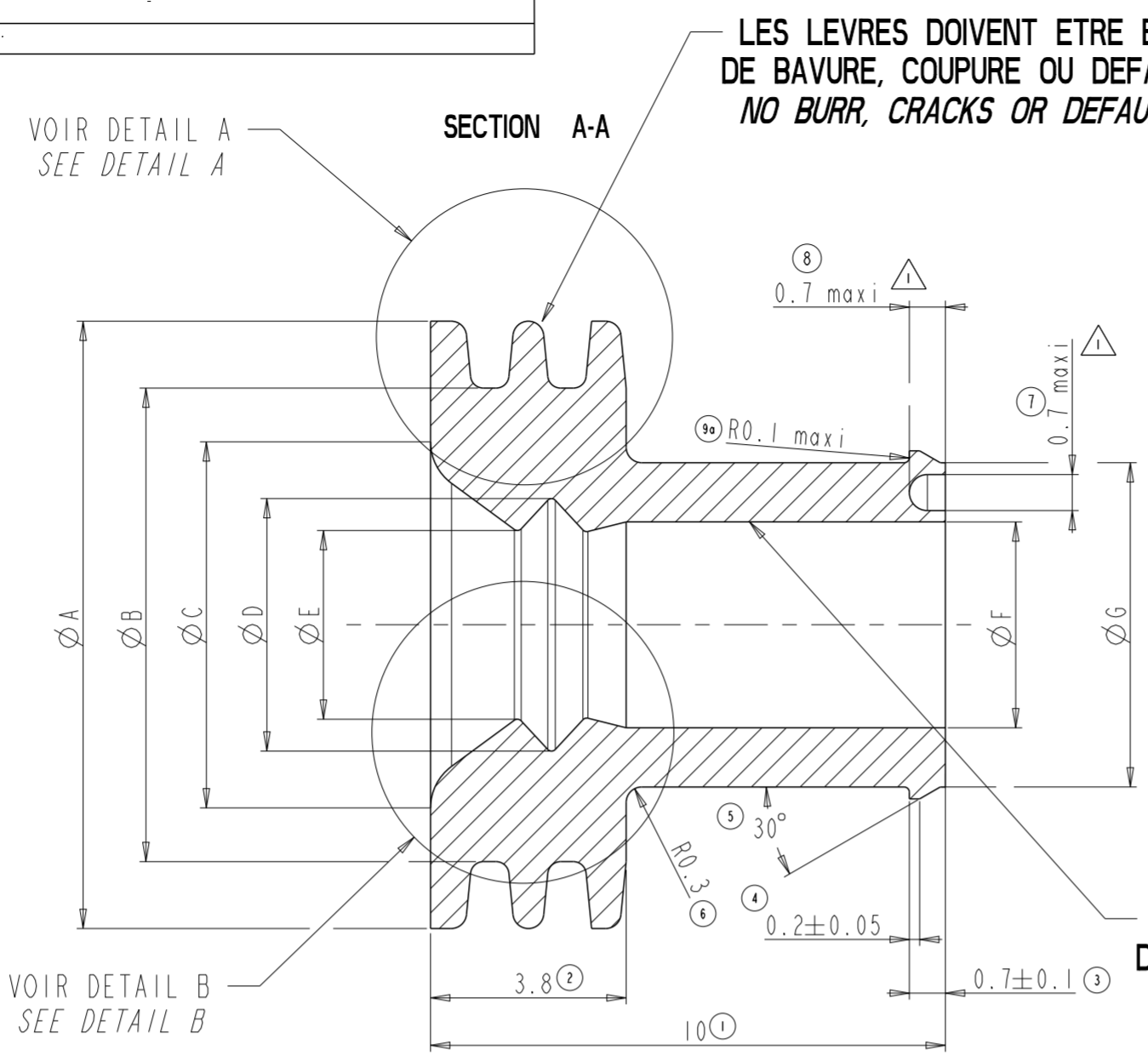
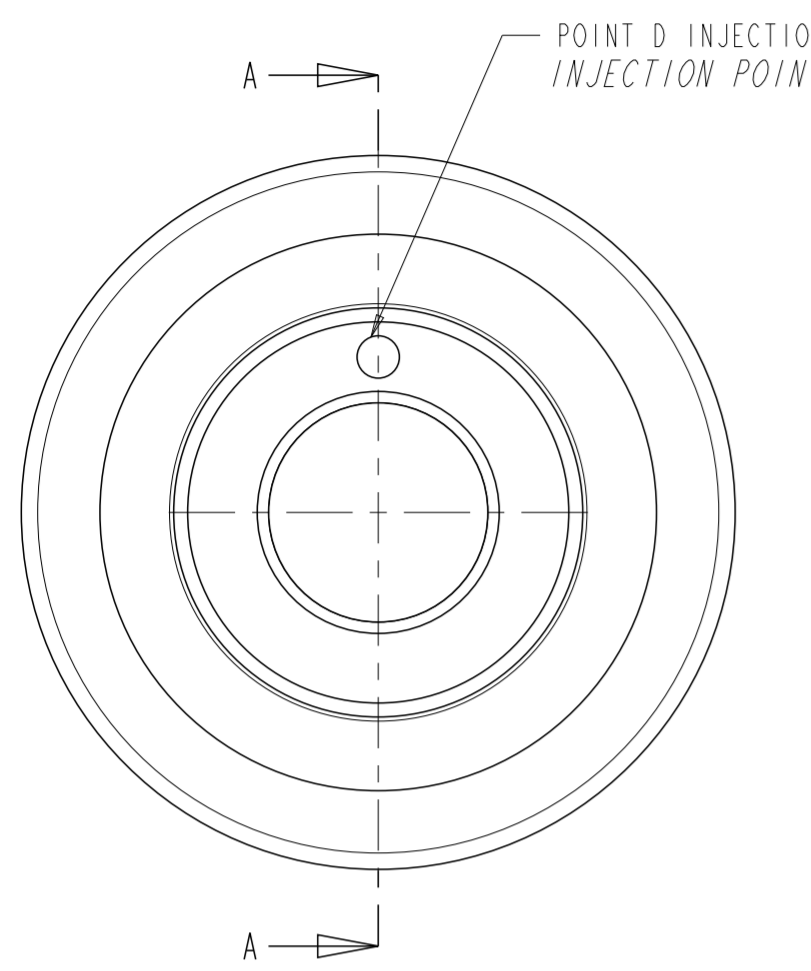


THIS DRAWING IS UNPUBLISHED. RELEASED FOR PUBLICATION  
 © COPYRIGHT copyright.dBTe- ALL RIGHTS RESERVED.

REVISIONS				
P	LTR	DESCRIPTION	DATE	APVD
D		rep 15 0.8±0.15 WAS 0.8-+0.1	25OCT2018	PB XR



LES LEVRES DOIVENT ETRE EXEMPTES DE BAVURE, COUPURE OU DEFAUT D ASPECT... NO BURR, CRACKS OR DEFAULT PERMITTED ON LIPS...

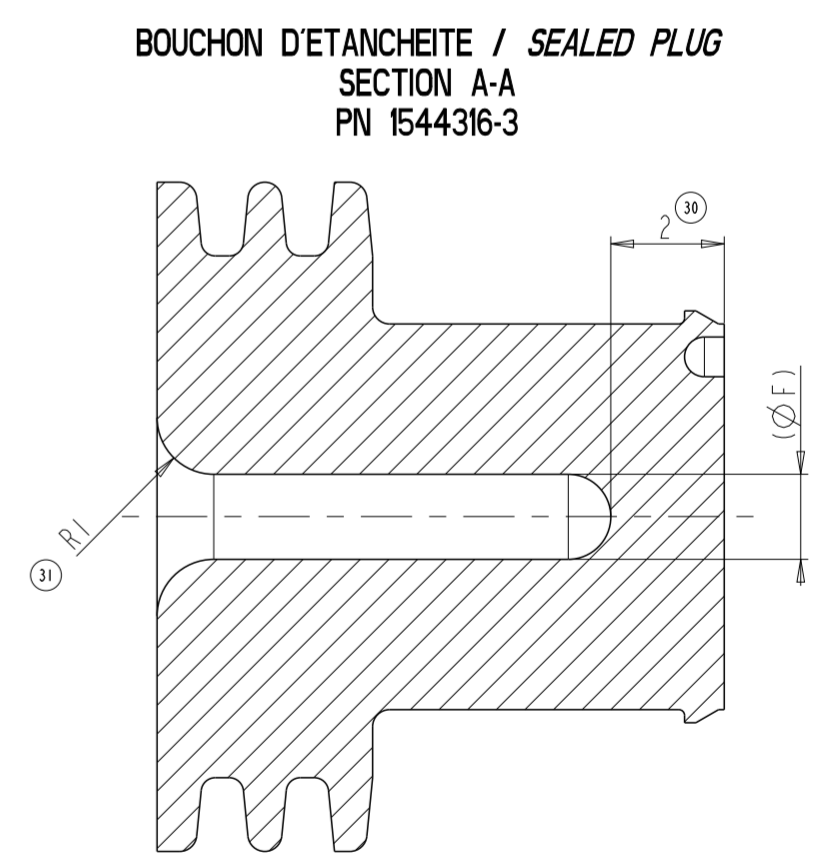
LES SURFACES INTERIEURES DOIVENT ETRE EXEMPTES DE DEFAUT, BAVURE, COUPURE OU DEFORMATION... INSIDE AREAS MUSN'T PRESENT BURR, CRACK, DEFORMATION...

DESIGNATION DESCRIPTION	COULEUR COLOR	REF PRONER PN PRONER	A	B	C	D	E	F	G	REF PSA PN PSA	REF RENAULT PN RENAULT	REF TE PN TE	MASSE WEIGHT
JOINT UNIFILAIRE A SERTIR SINGLE WIRE SEAL SECTION : 3 A (TO) 6 mm <sup>2</sup>	VERT A455±5 GREEN	P8010489526	11.8	9.2	7	4	2.6	3	5.3	9637215880	8200 072 611	1544316-1	0.443 g
JOINT UNIFILAIRE A SERTIR SINGLE WIRE SEAL SECTION : 7 A (TO) 10 mm <sup>2</sup>	ORANGE A110/A130 ORANGE	P8010589526	11.8	9.2	7	6	4	4.5	6.8	9637215980	8200 072 613	1544316-2	0.447 g
BOUCHON D'ETANCHEITE SEALING PLUG	BLANC WHITE	P8010689526	11.8	9.2	--	--	--	1.5	6.8	9637216080	8200 402 054	1544316-3	0.622 g

Notes: -Bavure du point d'injection située dans une zone non fonctionnelle doit être inférieure à 0.4mm de hauteur et 0.3mm d'épaisseur.  
 -An injection point burr located in a no functional area must be less than 0.4mm high and 0.3mm thick  
 -Cotes fonctionnelle A-B-C-D-E-F-G-10-18-15/Functional dimension A-B-C-D-E-F-G-10-18-15

SPECIFICATION  
 -Micro dureté 45±5 DIDC selon NFTA46003 (sur pieces transformées).  
 -Micro hardness 45±5 DIDC according to NF 4600 (on transformed parts).  
 -Allongement à la rupture selon DIN 53 504.  
 -Elongation at break according to DIN 53 504  
 -Déformation rémanente apres compression 22h/175°C selon DIN 53 517  
 -Residual deformation after compression 22h/175°C according to DIN 53 517  
 -Resistance au déchirement suivant norme ASTM D 624/B  
 -Tear strengt according to standard ASTM D 624/B  
 -Tenu aux fluides selon norme PSA :B25 1140 et CDC RENAULT:36 05 019/--E méthode d'essai D47 1924  
 -Fluide ability according to PSA standard :B25 1140 and RENAULT specification:36 05 019/--E, testing method D47 1924

CONDITIONEMENT / PACKAGING  
 -Sachets hermetiques dans carton suivant norme GALIA  
 -Sealed bags in box according to GALIA standard



THIS DRAWING IS A CONTROLLED DOCUMENT.		DWN 07NOV2007	TE Connectivity	
DIMENSIONS: mm		CHK CORONELLI		
TOLERANCES UNLESS OTHERWISE SPECIFIED:		APVD 07NOV2007	NAME	
0 PLC ±0.15 1 PLC ±0.15 2 PLC ±0.15 3 PLC ±0.15 4 PLC ±0.15 ANGLES ± FINISH finish_spec_2		PRODUCT SPEC	SINGLE WIRE SEAL AND PLUG	
MATERIAL SILICONE		APPLICATION SPEC	SIZE A2	CAGE CODE 00779
		WEIGHT	DRAWING NO C-1544316	RESTRICTED TO
		CUSTOMER DRAWING	SCALE 8.000	SHEET 1 OF 1
				REV D