

DORABO[®] Cixi Dibo Electronics Co., LTD

产品规格书
product specification

电气性能/Electrical

参考标准/Standard: UL IEC
 额定电压/Rated voltage: 300V 250V
 额定电流/Rated current: 8A 10A
 接触电阻/Contact resistance: 20m Ω

耐电压/Withstanding voltage: AC2000V/1Min

绝缘电阻/Insulation resistance: 500M Ω /DC500V

机械性能/Mechanical

温度范围/Temp.Range: -40 $^{\circ}$ C \sim +105 $^{\circ}$ C

瞬间温度/MAX Soldering: +250 $^{\circ}$ C, for 5 Sec

尺寸/Dimensions

间距/Pitch: 3.81mm/3.50mm

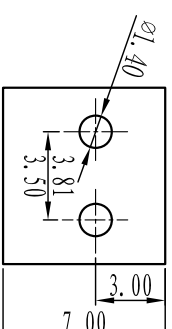
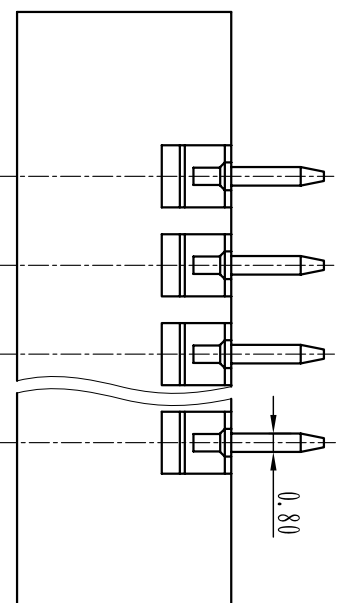
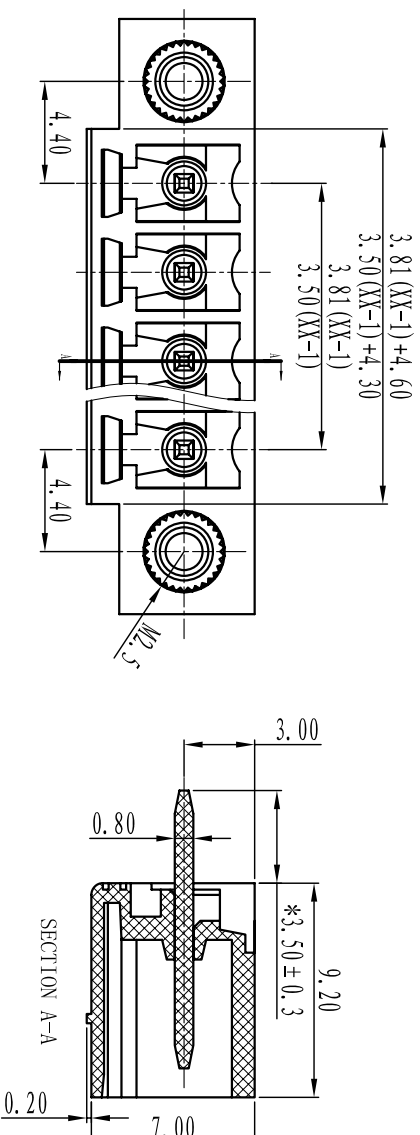
极数/Poles: 2P-24P

材质及电镀/Material

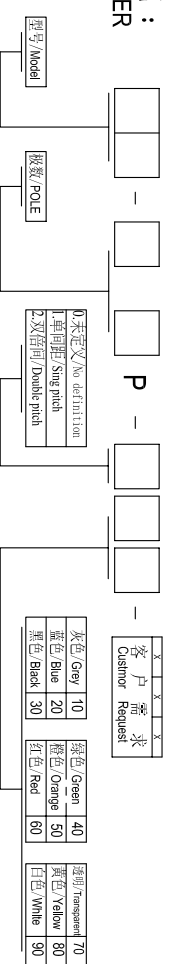
螺母/Nut: M2.5, Brass

焊针/Pin header: Brass, Tin plated

塑件/Housing: PA66, UL94V-0



订购方式: HOW TO ORDER



TOLERANCES EXCEPT AS NOTED

	linear dimension	fillet	chamfer	short angle sid								
variable range	over 6 to 6	over 30 to 30	over 120 to 120	over 480 to 480	all to 6	over 6 to 6	over 10 to 10	over 50 to 50	over 120 to 120	all to 5	over 5 to 5	over 30 to 30
tolerance	±0.1 to ±0.2	±0.3 to ±0.5	±0.9 to ±0.9	±0.2 to ±0.5	±1 to ±1	1 $^{\circ}$ to 30 $^{\circ}$	20 $^{\circ}$ to 10 $^{\circ}$	0.5 to 0.025	0.06 to 0.12	0.4 to 0.4		

Cixi Dibo Electronics Co., LTD

名称/NAME

DB2EVM-3.5 3.81

第一视角/FIRST ANGLE PROJECTION

