

承认书

SPECIFICATION FOR APPROVAL

客户名称 CUSTOMER NAME: _____

客户料号 CUSTOMER NO. : _____

产品名称 PRODUCT NAME: PLUG-IN TERMINAL BLOCK

产品型号 PRODUCT TYPE: DB2EVC-5.0/5.08

文件版本 DOCUMENT VERSION: A

日期 DATE: 2017-11-23

APPROVED 客户承认	APPROVED BY 客户审核	APPROVED 客户确认

MAKE BY 制作	APPROVED BY 审核	APPROVED 确认
施杰	阮迪侃	陆少波

地址：中国浙江省慈溪市沧大公路828号

TEL: +86 13185980275

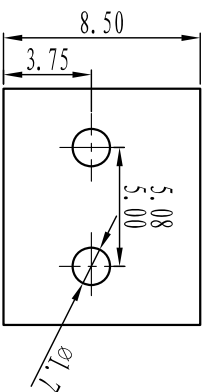
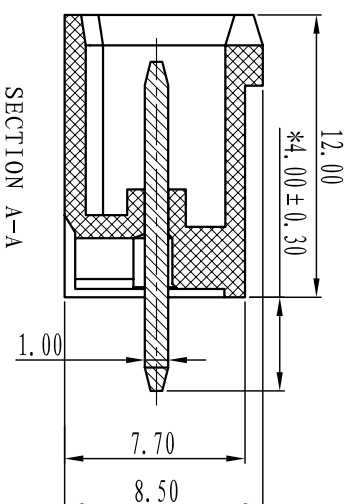
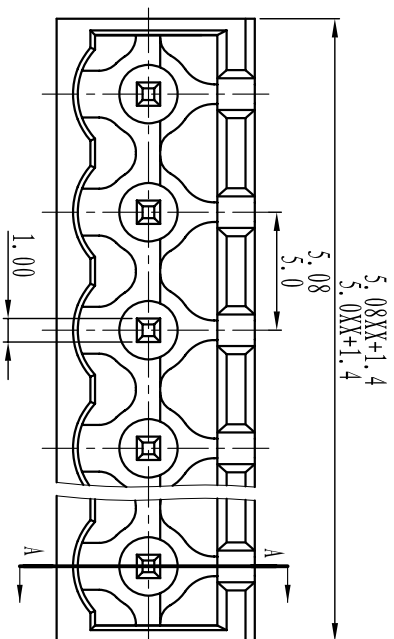
FAX: +86 574 63419581

<http://www.nbdibo.com>[E-mail:info@nbdibo.com](mailto:info@nbdibo.com)

DORABO®

Cixi Dibo Electronics Co.,LTD

产品规格书
product specification



电气性能/Electrical

参考标准/Standard: UL IEC
 额定电压/Rated voltage: 300V 320V
 额定电流/Rated current: 15A 20A
 接触电阻/Contact resistance: 20mΩ

耐电压/Withstanding voltage: AC2000V/1Min

绝缘电阻/Insulation resistance: 500MΩ/DC500V

机械性能/Mechanical

温度范围/Temp.Range: -40°C~+105°C

瞬间温度/MAX Soldering: +250°C, for 5 Sec

尺寸/Dimensions

间距/Pitch: 5.00mm, 5.08mm

极数/Poles: 2P-24P

材质及电镀/Material

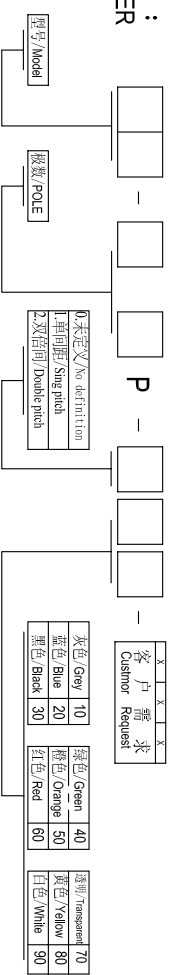
塑件/Housing: PA66, UL94V-0

焊针/Pin header: Brass, Tin plated

TOLERANCES EXCEPT AS NOTED

	linear dimension	fillet	chamfer	short angle sid	≡	□	//	⊥
variable range	6 over to 30	30 over to 120	120 over to 480	480 over to all	all to 6	6 over to 10	10 over to 50	50 over to 120
tolerance	±0.1	±0.2	±0.3	±0.5	±0.9	±0.2	±0.5	±1
	6 over to 30	30 over to 120	120 over to 480	480 over to all	all to 6	6 over to 10	10 over to 50	50 over to 120
	±0.1	±0.2	±0.3	±0.5	±0.9	±0.2	±0.5	±1
	6 over to 30	30 over to 120	120 over to 480	480 over to all	all to 6	6 over to 10	10 over to 50	50 over to 120
	±0.1	±0.2	±0.3	±0.5	±0.9	±0.2	±0.5	±1

订购方式 : HOW TO ORDER



单位/UNITS: mm 尺寸/SIZE: A4 比例/SCALE: 1:1

Cixi Dibo Electronics Co.,LTD

名称/NAME: DB2EVC-5.0/5.08

第一视角/FIRST ANGLE PROJECTION

PRODUCT SPECIFICATION

产品规格书

1、技术参数 (Technical Data)

中心距 (Center Space) : 5.0/5.08mm

额定电气参数 (Rated Electrical Parameters) : UL 300V/16A IEC 320V/20A

工频耐压 (Frequency Voltage) : AC2500V, 1分钟无异常 (No one minute abnormal)

脉冲耐压 (Rated Surge Voltage):4000V, 正负极各5次无异常 (All five are negative, No abnormal)

绝缘阻抗 (Insulation Resistance) : DC500V, 500M Ω 以上 (DC500V, 500M Ω above)

接触电阻 (Contact Resistance) : $\leq 8m\Omega$

2、工作环境 (Operation Environment)

工作温度 (Temperature) : $-40^{\circ}\text{C} \sim +105^{\circ}\text{C}$

海拔 (Altitude) : 2000m 以下 80Kpa \sim 106KPa

相对湿度 (Relative Humidity) : 5% \sim 95%

污染等级 (Contamination Class) : III

3、适用标准 (Applicable Standards)

IEC 60998-2-1

IEC 60947-7-1

UL 1059

UL 486E

4、工艺使用 (The use of Technology)

此种接线端子 (N 芯) 连接器采用焊接的方式与 PCB 板连接, 波峰焊接 $260 \pm 5^{\circ}\text{C}/5\text{s}$ 、2 次共 10s, 手工烙铁焊接 $350 \pm 5^{\circ}\text{C}/10\text{s}$, 使用连接方式有以下几种。

(The Terminal Blocks (N poles) connector used welding way connected with the PCB board, wave $260 \pm 5^{\circ}\text{C}/5\text{s}$, 2, a total of 10s, hand-welded iron $350 \pm 5^{\circ}\text{C}/10\text{s}$, connection with the use of the following.)

5、包装方式 (Packaging)

1、密封包装 (Seal Packaging)