

DORABO[®] Cixi Dibo Electronics Co., LTD

产品规格书
product specification

电气性能/Electrical

参考标准/Standard: UL IEC
 额定电压/Rated voltage: 300V 320V
 额定电流/Rated current: 15A 20A
 接触电阻/Contact resistance: 20m Ω

耐电压/Withstanding voltage: AC2000V/1Min

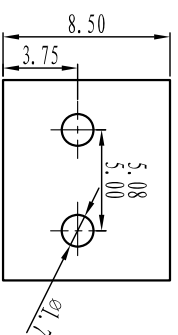
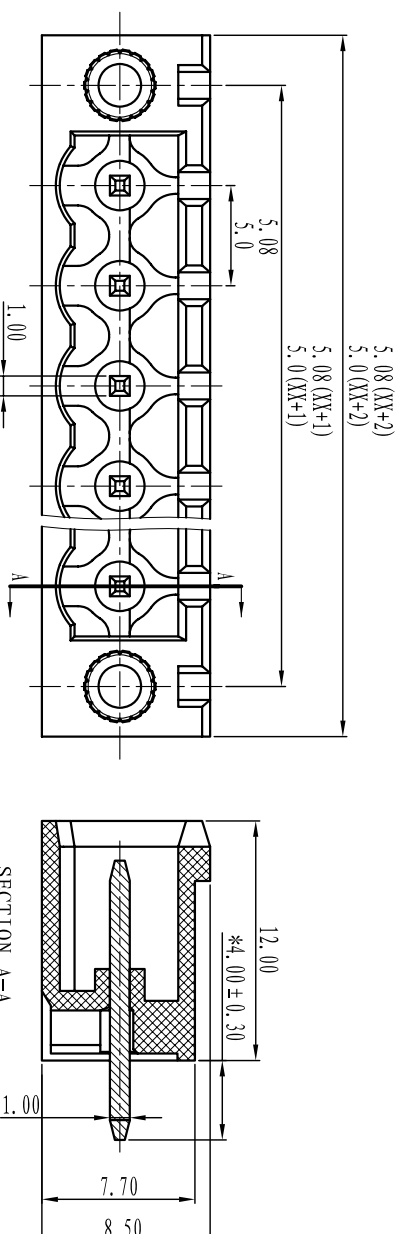
绝缘电阻/Insulation resistance: 500M Ω /DC5000V

机械性能/Mechanical

温度范围/Temp. Range: -40 $^{\circ}$ C~+105 $^{\circ}$ C
 瞬间温度/MAX Soldering: +250 $^{\circ}$ C, for 5 Sec

尺寸/Dimensions

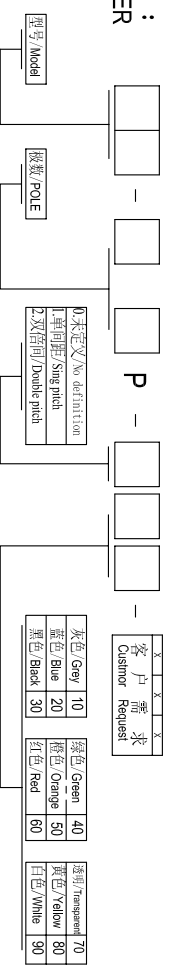
间距/Pitch: 5.00mm, 5.08mm
 极数/Poles: 2P-24P
 材料及电镀/Material
 塑件/Housing: PA66, UL94V-0
 焊针/Pin header: Brass, Tin plated
 螺母/Nut: M2.5 Brass



TOLERANCES EXCEPT AS NOTED

	linear dimension	fillet	chamfer	short angle sid					
variable range	over 6 to 6	over 30 to 120	over 480 to 480	over 480 to 480	all	over 6 to 6	over 6 to 6	over 10 to 10	over 50 to 50
tolerance	± 0.1 to ± 0.2	± 0.2 to ± 0.3	± 0.5 to ± 0.9	± 0.2 to ± 0.5	± 1 to 1°	30° to 20°	10° to 0.5	0.025 to 0.06	0.12 to 0.4

订购方式: HOW TO ORDER



单位/UNITS: mm 尺寸/SIZE: A4 比例/SCALE:

Cixi Dibo Electronics Co., LTD 名称/NAME: DB2EVM-5.0/5.08