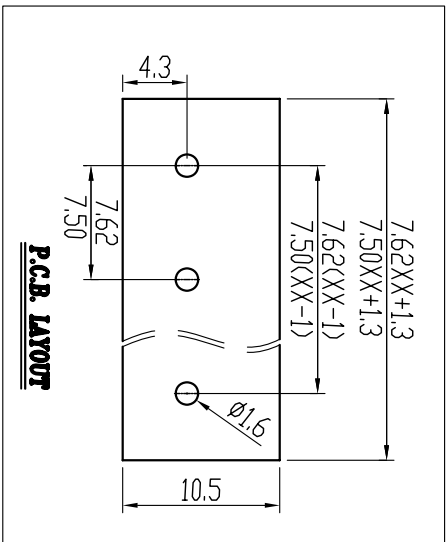


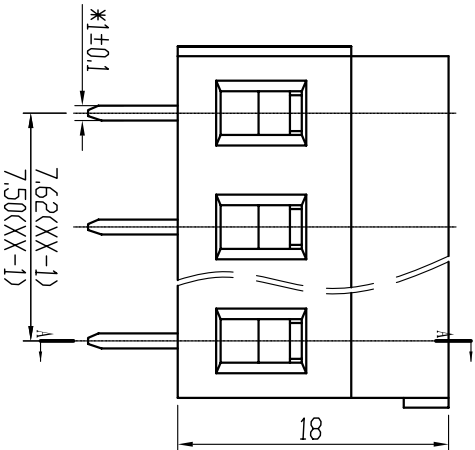
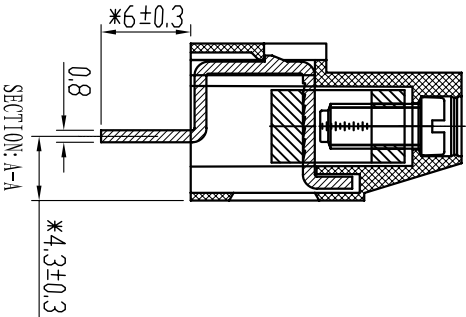
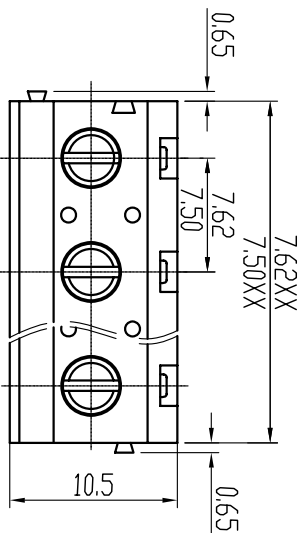


Cixi Dibo Electronics Co., LTD

产品规格书
THE SPEC SHEET



PCB LAYOUT



电气性能/Electrical

参考标准/Standard	UL	IEC
额定电压/Rated voltage	300V	250V
额定电流/Rated current	16A	24A
接触电阻/Contact resistance	20mΩ	
绝缘电阻/Insulation resistance	500MΩ, DC500V	
使用线径/Wire range	26-12AWG	2.5mm ²
耐压/Wrth standing voltage	AC 2000V/1 Min	

机械性能/Mechanical

扭矩/Torque	0.5Nm(4.5Lb.in)
温度范围/Temp.Range	-40°C~+105°C
瞬时温度/MAX Soldering	+250°C, for 5 Sec
剥线长度/Steip Length	6-7mm
尺寸/Dimensions	7.50mm, 7.62mm
间距/Pitch	2-24p

材料及电镀/Material

极数/Poles	PA66, UL94V-0
塑件/Housing	M3.0 Steel, Zn plated
螺丝/Screws	Brass, Sn plated
焊脚/Pin header	Brass, Ni plated
方块/Wire guard	

linear dimension(Tolerances Standard GB/T 14486-2008)	≡	—	□	∥	⊥											
tolerance	±0.1	±0.14	±0.19	±0.25	±0.32	±0.43	±0.57	±0.72	±0.88	±1.05	±1.25	0.5	0.025	0.06	0.12	0.4
variable range	6 to	6 to 10	10 to 18	18 to 30	30 to 50	50 to 80	80 to 120	120 to 160	160 to 200	200 to 250	250 to	all	5 to	5 to 30	30 to 120	120 to

单位/UNITS mm 尺寸/SIZE A4 比例/SCALE 2:1
Cixi Dibo Electronics Co., LTD

第三视图/THIRD ANGLE PROJECTION
名称/TITLE DB129V-7.5/7.62