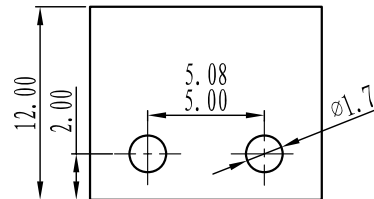
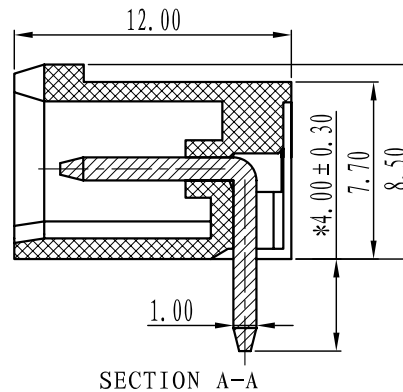
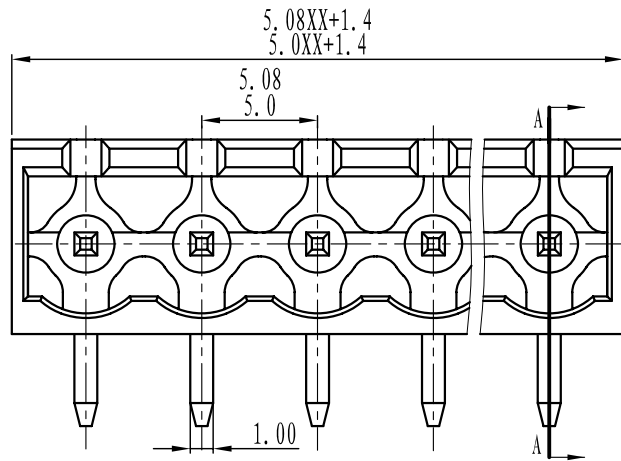




Cixi Dibo Electronics Co.,LTD

产品规格书
product specification



电气性能/Electrical

参考标准/Standard: UL IEC
 额定电压/Rated voltage: 300V 320V
 额定电流/Rated current: 15A 20A
 接触电阻/Contact resistance: 20mΩ
 耐电压/Withstanding voltage: AC2000V/1Min
 绝缘电阻/Insulation resistance: 500MΩ/DC500V

机械性能/Mechanical

温度范围/Temp.Range: -40° C~+105° C
 瞬间温度/MAX Soldering: +250° C, for 5 Sec

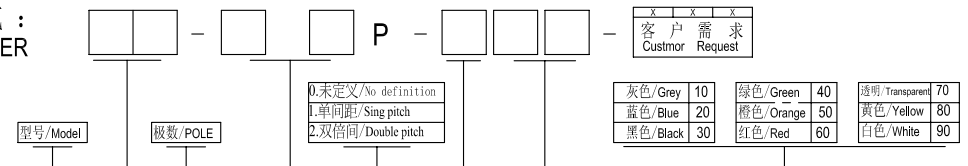
尺寸/Dimensions

间距/Pitch: 5.00mm, 5.08mm
 极数/Poles: 2P-24P

材质及电镀/Material

塑件/Housing: PA66, UL94V-0
 焊针/Pin header: Brass, Tin plated

订购方式:
HOW TO ORDER



TOLERANCES EXCEPT AS NOTED

| variable range | linear dimension | | | | fillet | chamfer | short angle sid | | | | ≡ | — | □ | // | ⊥ | | |
|----------------|------------------|---------|----------|----------|--------|---------|-----------------|--------|-------|---------|-----|-----|-----|-------|------|---------|----------|
| | to 6 | over 30 | over 120 | over 480 | | | to 6 | over 6 | to 10 | over 10 | | | | | | over 50 | over 120 |
| tolerance | ±0.1 | ±0.2 | ±0.3 | ±0.5 | ±0.9 | ±0.2 | ±0.5 | ±1 | 1° | 30' | 20' | 10' | 0.5 | 0.025 | 0.06 | 0.12 | 0.4 |

| | | | | | | |
|-------------------------------|----|---------|----|----------|-----------------------------|-------------|
| 单位/UNITS | mm | 尺寸/SIZE | A4 | 比例/SCALE | 第一视角/FIRST ANGLE PROJECTION | |
| Cixi Dibo Electronics Co.,LTD | | | | | 名称/NAME | DB2ERC-5.08 |