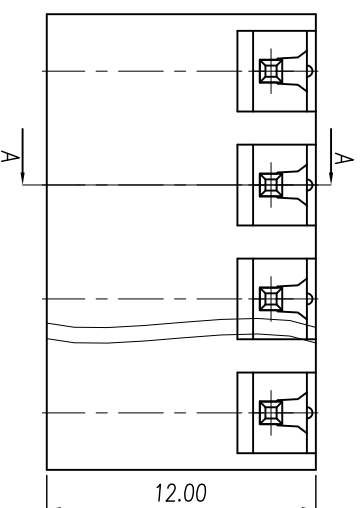
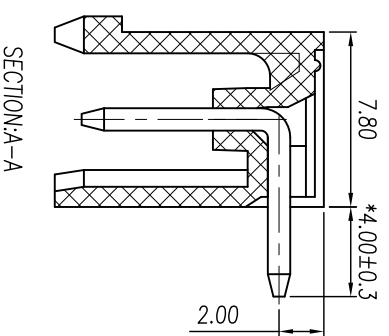
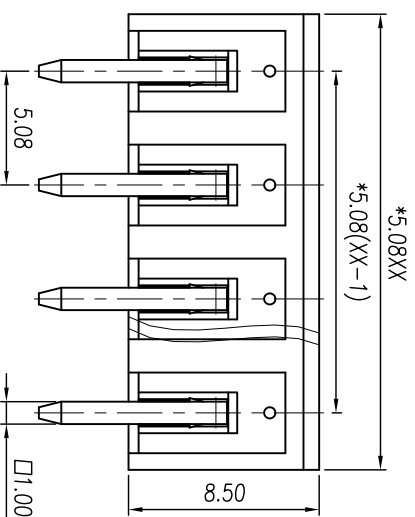
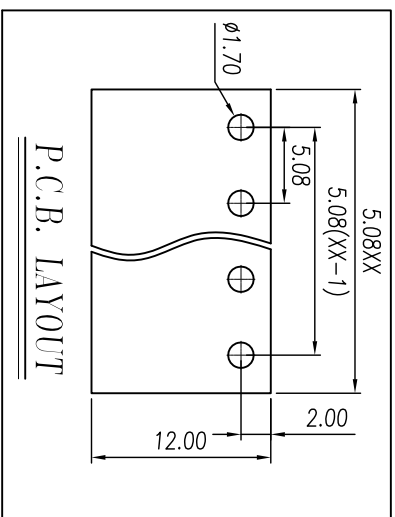




慈溪市地博电子有限公司

Cixi Dibo Electronics Co., LTD

产品规格书
THE SPEC SHEET



linear dimension	Tolerances Standard GB/T 14486-2008									
variable range	over 6 to 10	over 10 to 18	over 18 to 30	over 30 to 50	over 50 to 80	over 80 to 120	over 120 to 160	over 160 to 200	over 200 to 250	over 250 to 5.0
tolerance	±0.1	±0.14	±0.19	±0.25	±0.32	±0.43	±0.57	±0.72	±0.88	±1.05

电气性能/Electrical

参考标准/Standard

额定电压/Rated voltage

额定电流/Rated current

接触电阻/Contact resistance

绝缘电阻/Insulation resistance

耐电压/Wrth standing voltage

机械性能/Mechanical

温度范围/Temp.Range

瞬时温度/MAX Soldering

尺寸/Dimensions

间距/Pitch

极数/Poles

材质及电镀/Material

塑件/Housing

焊脚/Pin header

UL IEC

300V 450V

15A 17.5A

20mΩ

500MΩ/DC500V

AC 2000V/1 Min

-40°C~+105°C

+250°C, for 5 Sec

5.08mm

02-24p

PA66, UL94V-0

Brass, Tin plated

单位/UNITS mm 尺寸/SIZE A4 比例/SCALE 3:1

第三视图/THIRD ANGLE PROJECTION



Cixi Dibo Electronics Co., LTD

名称/TITLE DB2ER-5.08