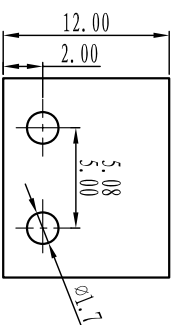
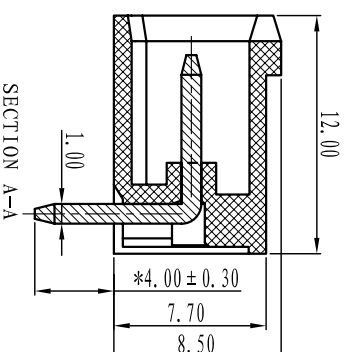
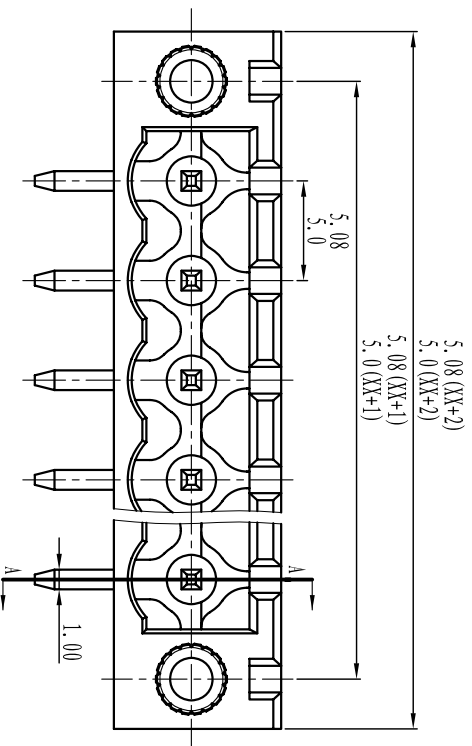




Cixi Dibo Electronics Co., LTD

产品规格书
product specification



电气性能/Electrical

参考标准/Standard: UL IEC
 额定电压/Rated voltage: 300V 320V
 额定电流/Rated current: 15A 20A
 接触电阻/Contact resistance: 20m Ω

耐电压/Withstanding voltage: AC2000V/1Min

绝缘电阻/Insulation resistance: 500M Ω /DC500V

机械性能/Mechanical

温度范围/Temp.Range: -40 $^{\circ}$ C~+105 $^{\circ}$ C

瞬间温度/MAX Soldering: +250 $^{\circ}$ C, for 5 Sec

尺寸/Dimensions

间距/Pitch: 5.00mm, 5.08mm

极数/Poles: 2P-24P

材质及电镀/Material

塑件/Housing: PA66, UL94V-0

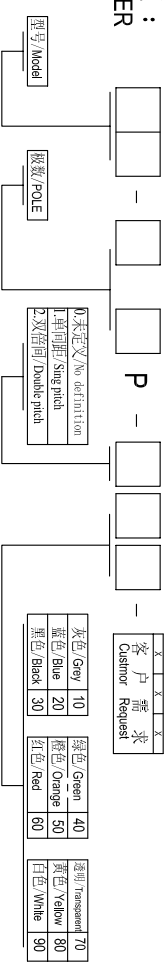
焊针/Pin header: Brass, Tin plated

螺母/Nut: M2.5 Brass

TOLERANCES EXCEPT AS NOTED

	linear dimension	fillet	chamfer	短角	short angle sid	倒角	倒角	倒角	倒角
variable range	over 6 to 30	over 30 to 120	over 120 to 480	all to 6	over 6 to 10	over 10 to 50	over 50 to 120	all to 5	over 5 to 30
tolerance	±0.1	±0.2	±0.3	±0.5	±0.9	±0.2	±0.5	±1	1 $^{\circ}$ 30'

订购方式 : HOW TO ORDER



单位/UNITS	尺寸/SIZE	比例/SCALE
mm	A4	

Cixi Dibo Electronics Co., LTD

名称/NAME: DB2ERM-5.08 5.0
 第一视角/FIRST ANGLE PROJECTION