



# Cixi Dibo Electronics Co.,LTD

产品规格书  
product specification

### 电气性能/Electrical

参考标准/Standard: UL TEC  
 额定电压/Rated voltage: 300V 250V  
 额定电流/Rated current: 8A 10A  
 接触电阻/Contact resistance: 20m $\Omega$

耐电压/Withstanding voltage: AC2000V/1Min

绝缘电阻/Insulation resistance: 500M $\Omega$ /DC500V

### 机械性能/Mechanical

温度范围/Temp.Range: -40° C<sup>+</sup>+105° C

瞬间温度/MAX Soldering: +250° C, for 5 Sec

### 尺寸/Dimensions

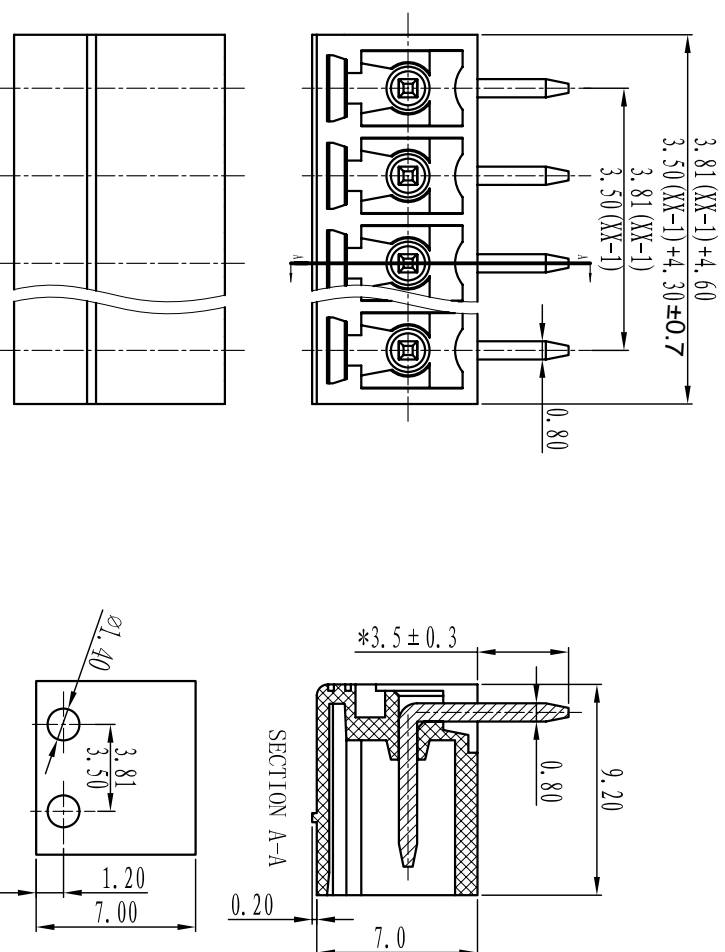
间距/Pitch: 3.81mm/3.50mm

极数/Poles: 2P-24P

### 材质及电镀/Material

塑件/Housing: PA66, UL94V-0

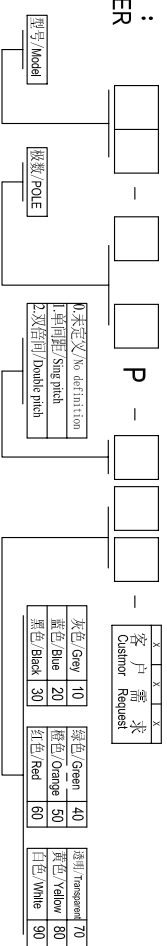
焊针/Pin header: Brass, Tin plated



### TOLERANCES EXCEPT AS NOTED

|                |   |              |              |                                 |              |                                |                 |         |
|----------------|---|--------------|--------------|---------------------------------|--------------|--------------------------------|-----------------|---------|
|                | linear dimension                                  | fillet       | chamfer      | $\nabla$ short angle sid        | $\equiv$     | $\square$                      | $\parallel$     | $\perp$ |
| variable range | over 6 to 30<br>over 30 to 120<br>over 120 to 480 | all to 6     | over 6 to 10 | over 10 to 50<br>over 50 to 120 | all to 5     | over 5 to 30<br>over 30 to 120 | over 120 to 480 |         |
| tolerance      | ±0.1<br>±0.2<br>±0.3<br>±0.5                      | ±0.2<br>±0.2 | ±1           | 1°<br>30°<br>10°                | 0.5<br>0.025 | 0.06<br>0.12                   | 0.4             |         |

### 订购方式: HOW TO ORDER



Cixi Dibo Electronics Co.,LTD

名称/NAME DB2ERC-3.81/3.5

单位/UNITS mm 尺寸/SIZE A4 比例/SCALE

第一视角/FIRST ANGLE PROJECTION

