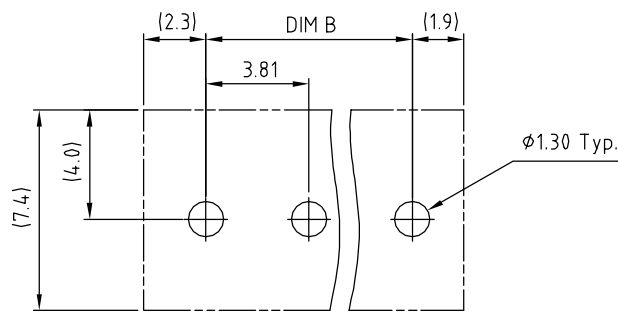
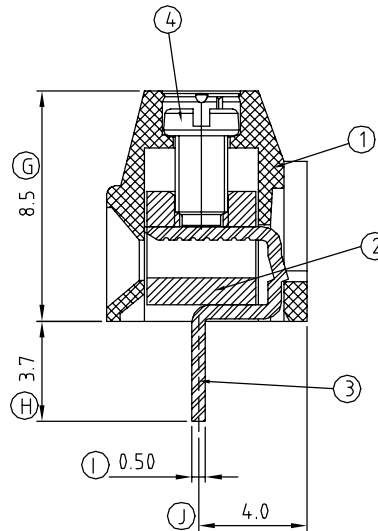
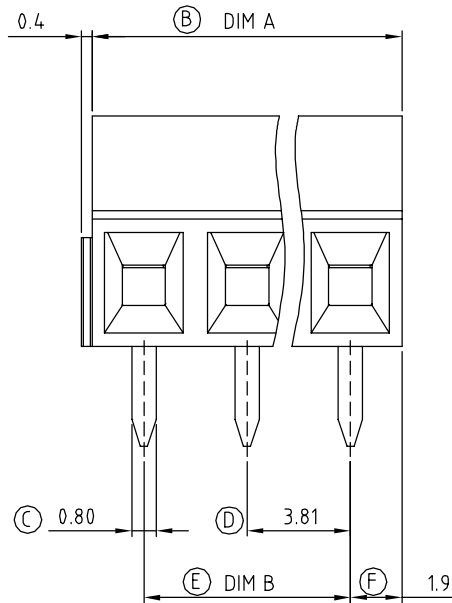


Dimension

Dim A =  $N \times 3.81$   
 Dim B =  $(N-1) \times 3.81$

N = Number of poles  $\Delta$

Poles	TOLERANCE
2P-5P	$\pm 0.15$
6P-12P	$\pm 0.30$
13P-24P	$\pm 0.40$



P.C.B. LAYOUT

SIGN	DATE	DESCRIPTION	APPROVER
$\Delta$	01/26'07	Soldering temperature changed from 245° to 250°	Tason
$\Delta$	01/26'07	Part NO is Changed	Tason
$\Delta$	9/01'08	增加公差标注	Seamus
$\Delta$	9/01'08	Operating temperature changed from -30°C/+105°C to -40°C/+115°C	Seamus
$\Delta$	12/08'10	Add is " TUV "	Aaron

*THIS IS CAD DRAWING, DO NOT REVISE MANUALLY !!!*

Material:

- Item 1 Terminal housing :Thermoplastic (UL 94V-0)
- Item 2 Clamp : Brass,Ni plated
- Item 3 Wire guard solder pin : Brass,Tin plated
- Item 4 Terminal screw: Steel Zinc plating"-slot type

$\Delta$  Electrical cULus / TUV

- Voltage rating: 300V / 300V
- Current rating: 10A / 12A
- Wire range: 0.2~1.5mm<sup>2</sup>
- Solid wire(AWG): 16-24
- Stranded wire(AWG): 16-24
- Torque: 1.7 Lb.in / 0.2Nm (stackable type: 1.5Kgf cm)
- Screw: M2
- Wire strip length: 5-6mm
- Withstanding Voltage: 1.6KV / 1.25KV
- $\Delta$  ● Operating temperature: -40°C to +115°C
- $\Delta$  ● Soldering temperature: 250°C $\pm$ 10°C/5 Sec
- Safety Approval:

$\Delta$			RoHS Pb<40,000ppm
No. of poles	0 Black (RAL9005)	0000 Standard @ Logo	
02 2 CONTACTS	5 Green(RAL6018/T)	000A Standard ANY Logo	
03 3 CONTACTS	6 Blue (RAL5015/A)	Any special item by	
... ..	8 Grey(RAL7035/D)	customer request,	
24 24 CONTACTS	C Green(RAL6018/U)	please contact sales	
		department.	

**DORABO® Cixi Dibo Electronics Co.,LTD**

Model DB125-3.81-(2-24P)					
APPROVED	CHECKED	DESIGNED	DRAWN	CUST NO.	
			Chen Bo 2011.04.02		Tolerance
				ALE: NONE	X. $\pm 0.50$
					X.X $\pm 0.30$
					X.XX $\pm 0.10$
					X° $\pm 1°$