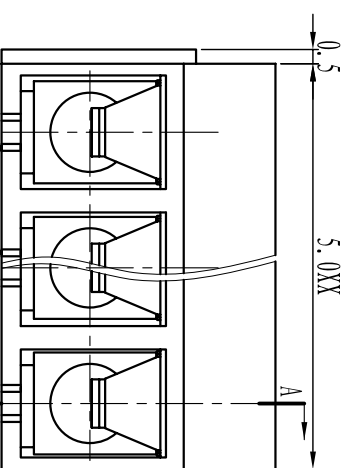
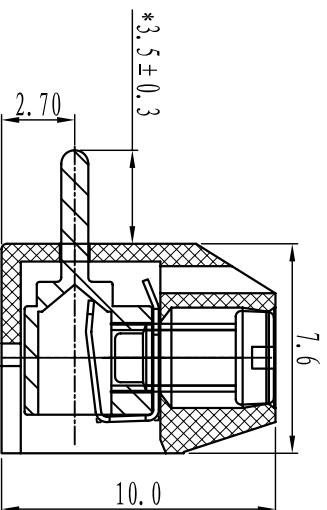
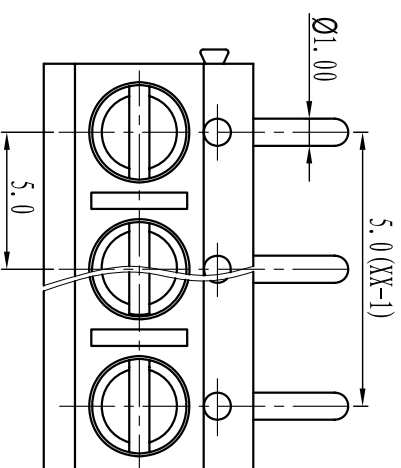
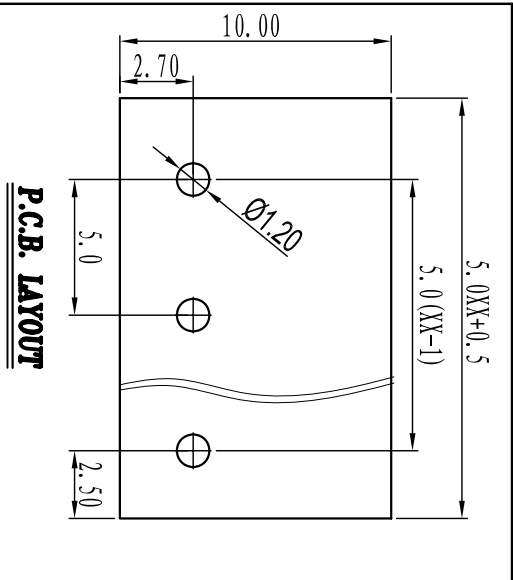




Cixi Dibo Electronics Co., LTD

产品规格书
product specification

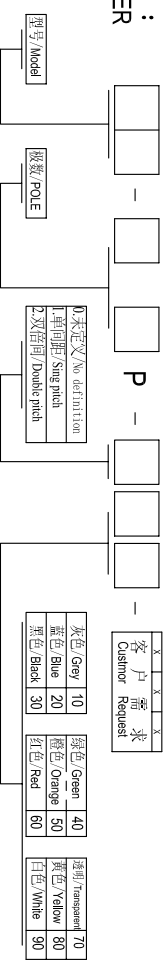


TOLERANCES EXCEPT AS NOTED

linear dimension/Tolerances Standard GB/T 14486-2008)

tolerance	±0.1	±0.14	±0.19	±0.25	±0.32	±0.43	±0.57	±0.72	±0.88	±1.05	±1.25	0.5	0.025	0.06	0.12	0.4
variable range	6 to	6 to	10 to	18 to	30 to	50 to	80 to	120 to	160 to	200 to	250 to	all	5 to	5 to	30 to	120 to
over	6	10	18	30	50	80	120	160	200	250			5	5	30	120

订购方式：
HOW TO ORDER



电气性能/Electrical
 参考标准/Standard: UL IEC
 额定电压/Rated voltage: 250V 250V
 额定电流/Rated current: 16A 17.5A
 接触电阻/Contact resistance: 20mΩ
 使用线径/Wire range: 22-14AWG 1.5mm²
 耐电压/Withstanding voltage: AC2000V/1Min
 绝缘电阻/Insulation resistance: 500MΩ/DC300V
 机械性能/Mechanical
 温度范围/Temp Range: -40°C~+120°C
 扭矩/Torque: 0.4Nm(3.5lb·in)
 剥线长度/Strip length: 4.5-5mm

尺寸/Dimensions

间距/Pitch: 5.0mm

极数/Poles: 2P-24P

材质及电镀/Material

塑件/Housing: PBT, UL94V-0

螺丝/Screws: M2.5, steel Zinc plated

方针/Pin header: Brass, Snee plated

弹片/Shrapnel: Phosphor bronze, Ni plated

第一视角/THIRD ANGLE PROJECTION



Cixi Dibo Electronics Co., LTD

名称/NAME

DB301R-5.0