

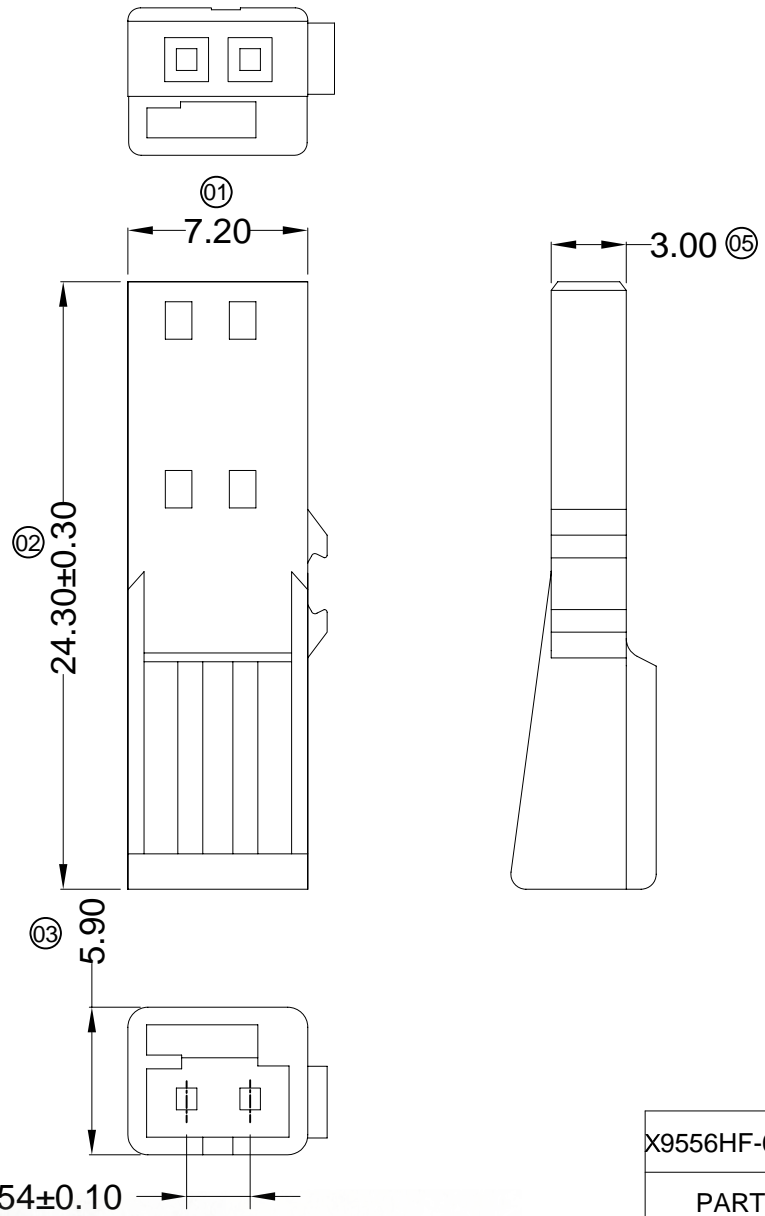
Specifications :

- Voltage rating: 250V AC / DC
- Current rating: 3A AC / DC
- Withstanding voltage: 1500V AC/minute
- Temperature range: -25°C~+85°C
- Insulation resistance: ≥1000MΩ
- Contact resistance: ≤20mΩ
- After environmental testing: ≤30mΩ

X9556 H F-02 L-N0 XX

- ① Series No.
- ② Category: H-HSG
- ③ Welding Board Angle: F-Fmale HGS
- ④ Row No.-Pin No.: XX-Single row
- ⑤ special No. L-Empty pick up the left button
- ⑥ Material: N0-PA66 94V-0
- ⑦ Color: Blank-Natural Color

Poles	Dimensions (mm)		
	A	B	C
2	2.54	5.08	--
3	5.08	7.62	2.54
4	7.62	10.16	5.08
5	10.16	12.70	7.62
6	12.70	15.24	10.16
7	15.24	17.78	12.70
8	17.78	20.32	15.24
9	20.32	22.86	17.78
10	22.86	25.40	20.32
11	25.40	27.94	22.86
12	27.94	30.48	25.40
13	30.48	33.02	27.94
14	33.02	35.56	30.48
15	35.56	38.10	33.02
16	38.10	40.64	35.56
17	40.64	43.18	38.10
18	43.18	45.72	40.64
19	45.72	48.26	43.18
20	48.26	50.80	45.72

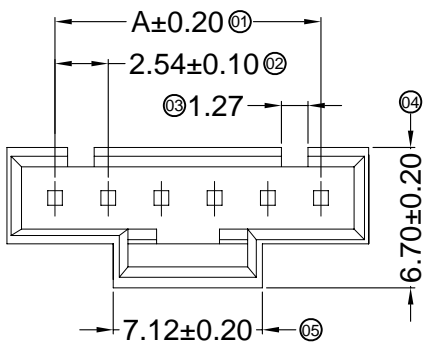


X9556HF-02L-N0	PA66 UL 94V-0	X9556TM	X9556HM-L
PART NO	Material	Suitable XKB Terminal	Suitable XKB Terminal

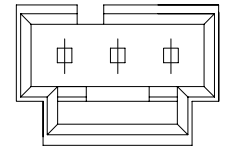
For and on behalf of
XKB INDUSTRIAL PRECISION CO., LIMITED
 香港星坤工業精密有限公司

△ X					ANGULAR	±5°	DSND		DATE	SCALE: N/A	MODEL TYPE: X9556HF-02L-N0		
△ X					L ≤ 4	±0.2	DWN		DATE	VIEW:	PART NO.:		
△ X					4 < L ≤ 16	±0.3	CHKD		DATE	UNIT: mm	2.54 mm Crimp Style Connectors		
MARK	DESCRIPTION	DATE	REVISED	APPROVED	16 < L ≤ 63	±0.4	APPD		DATE	SIZE: A4	DWG NO.:		
					L > 63	±0.5							
	REVISIONS				UNSPECIFIED TOLERANCES			XKB INDUSTRIAL PRECISION CO., LIMITED			WEIGHT	SHEET	REVISION
											1.0g	1/1	A0

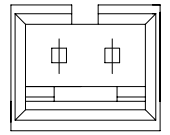
Authorized Signature(s)



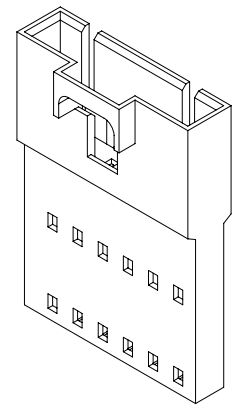
4P-25P



3P



2P



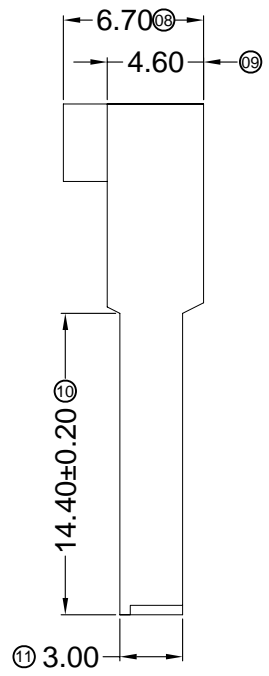
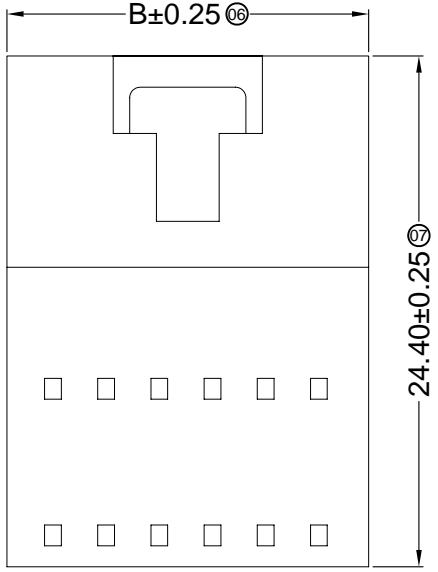
■ Specifications :

- Voltage rating: 250V AC / DC
- Current rating: 3A AC / DC
- Withstanding voltage: 1500V AC/minute
- Temperature range: -25°C~+85°C
- Insulation resistance: ≥1000MΩ
- Contact resistance: ≤20mΩ
- After environmental testing: ≤30mΩ

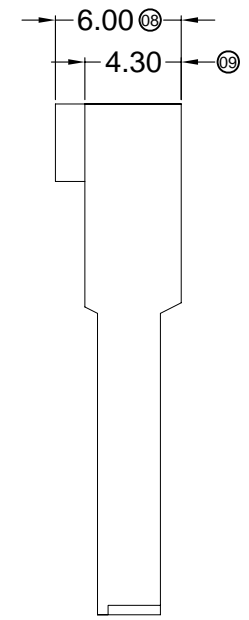
X9556 H F-XX X-PT XX

① ②③ ④⑤ ⑥ ⑦

- ① Series No.
- ② Category: H-HSG
- ③ Welding Board Angle: F-Fmale HGS
- ④ Row No.-Pin No.: XX-Single row
- ⑤ Special No.
- ⑥ Material: PT-PBT 94V-0
- ⑦ Color: Blank-Natural Color



3P~25P



02P

Poles	Dimensions (mm)		Poles	Dimensions (mm)		Poles	Dimensions (mm)	
	A	B		A	B		A	B
02	2.54	7.12	10	22.86	27.44	18	43.18	47.76
03	5.08	9.66	11	25.40	29.98	19	45.72	50.30
04	7.62	12.20	12	27.94	32.52	20	48.26	52.84
05	10.16	14.74	13	30.48	35.06	21	50.08	55.38
06	12.70	17.28	14	33.02	37.60	22	53.34	57.92
07	15.24	19.82	15	35.56	40.14	23	55.88	60.46
08	17.78	22.36	16	38.10	42.68	24	58.42	63.00
09	20.32	24.90	17	40.64	45.22	25	60.96	65.54

X9556HF-XX-PT	PBT UL 94V-0	X9556TM	X9556H
PART NO	Material	Suitable XKB Terminal	Suitable XKB Terminal

For and on behalf of
XKB INDUSTRIAL PRECISION CO., LIMITED
香港星坤工業精密有限公司

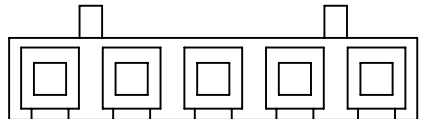
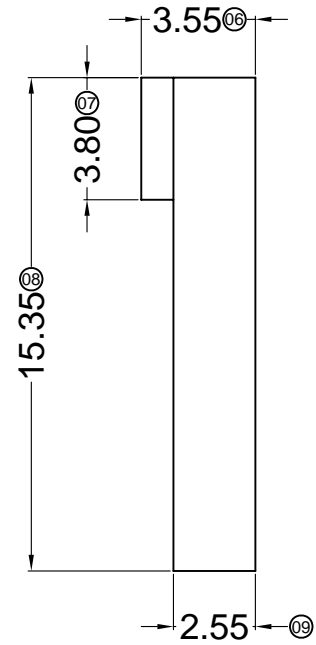
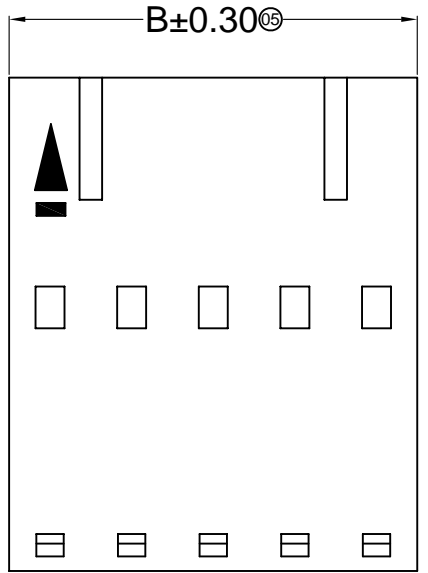
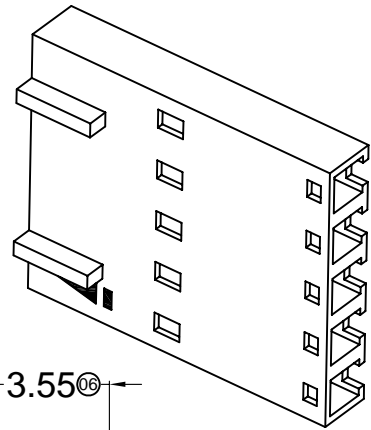
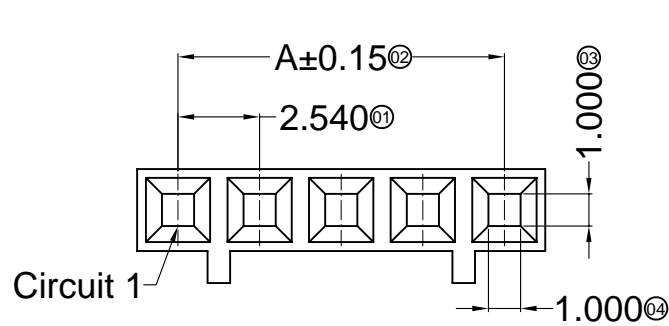
△ X					ANGULAR	±5°	DSND		DATE	SCALE: N/A	MODEL TYPE: X9556HF-XX-PT	
△ X					L ≤ 4	±0.2	DWN		DATE	VIEW:	PART NO.: 2.54mm Crimp Style Connectors	
△ X					4 < L ≤ 16	±0.3	CHKD		DATE	UNIT: mm	DWG NO.:	
△ X					16 < L ≤ 63	±0.4	APPD		DATE	SIZE: A4		
MARK	DESCRIPTION	DATE	REVISED	APPROVED	L > 63	±0.5						
REVISIONS						UNSPECIFIED TOLERANCES	XKB INDUSTRIAL PRECISION CO., LIMITED			WEIGHT	SHEET	REVISION
										1.0g	1/1	A0

Authorized Signature(s)

1 2 3 4 5 6 7 8

A
B
C
D
E
F

A
B
C
D
E
F



■ Specifications :

- Voltage rating: 250V AC / DC
- Current rating: 3A AC / DC
- Withstanding voltage: 1500V AC/minute
- Temperature range: -25°C~+85°C
- Insulation resistance: ≥1000MΩ
- Contact resistance: ≤20mΩ
- After environmental testing: ≤30mΩ

X9556 H X-XX A-N0 XX
① ② ③ ④ ⑤ ⑥ ⑦

- ① Series No.
- ② Category: H-HSG
- ③ Appearance type: Blank-Ordinary
- ④ Row No.-Pin No.: XX-02P~15P
- ⑤ Plug the Pin & special No.:
A-There are convex point
- ⑥ Material: N0-PA66 UL 94V-0
- ⑦ Color: Blank-Natural Color

Poles	Dimensions (mm)		Poles	Dimensions (mm)	
	A	B		A	B
02	2.54	5.08	09	20.32	22.86
03	5.08	7.62	10	22.86	25.40
04	7.62	10.16	11	25.40	27.94
05	10.16	12.70	12	27.94	30.48
06	12.70	15.24	13	30.48	33.02
07	15.24	17.78	14	33.02	35.56
08	17.78	20.32	15	35.56	38.10

X9556H-XXA-N0	PA66 UL 94V-0	X9556T	X9556W
PART NO	Material	Suitable XKB Terminal	Suitable XKB Terminal

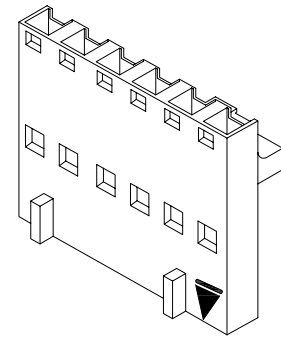
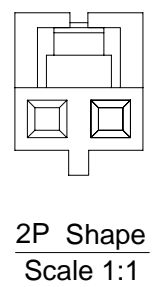
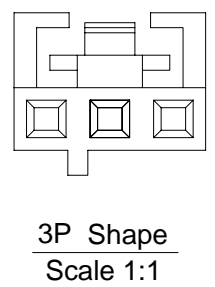
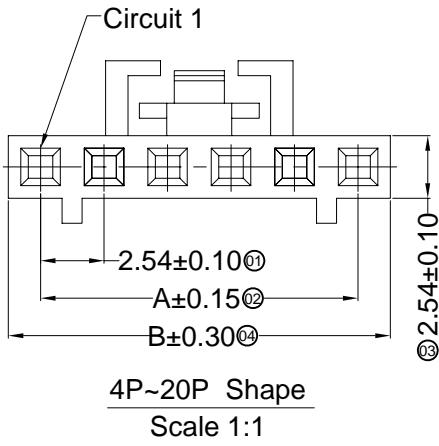
For and on behalf of
XKB INDUSTRIAL PRECISION CO., LIMITED
香港星坤工業精密有限公司

△ X					ANGULAR	±5°
△ X					L ≤ 4	±0.2
△ X					4 < L ≤ 16	±0.3
△ X					16 < L ≤ 63	±0.4
MARK	DESCRIPTION	DATE	REVISED	APPROVED	L > 63	±0.5

DSND		DATE		SCALE: N/A	MODEL TYPE: X9556H-XXA-N0
DWN		DATE		VIEW:	PART NO.: 2.54mm Crimp Style Connectors
CHKD		DATE		UNIT: mm	DWG NO.:
APPD		DATE		SIZE: A4	

REVISIONS		UNSPECIFIED TOLERANCES		XKB INDUSTRIAL PRECISION CO., LIMITED			WEIGHT	SHEET	REVISION
							1.0g	1/1	A0

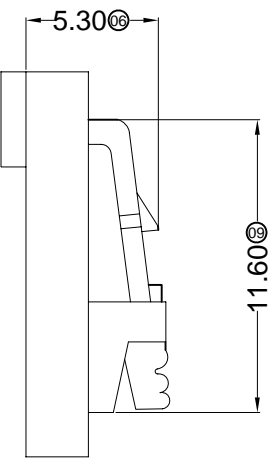
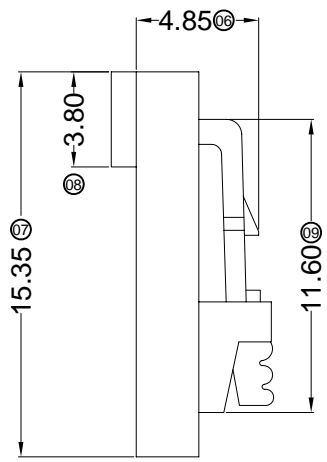
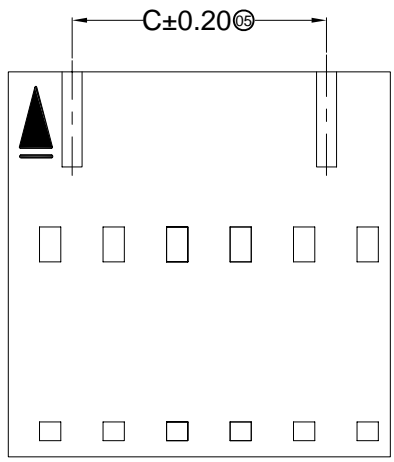
1 2 3 4 5 6 7 8



- Specifications :
- Voltage rating: 250V AC / DC
 - Current rating: 3A AC / DC
 - Withstanding voltage: 1500V AC/minute
 - Temperature range: -25°C~+85°C
 - Insulation resistance: ≥1000MΩ
 - Contact resistance: ≤20mΩ
 - After environmental testing: ≤30mΩ

X9556 H X-XX B-N0 XX
① ② ③ ④ ⑤ ⑥ ⑦

- ① Series No.
- ② Category: H-HSG
- ③ Welding Board Angle: Blank-ordinary
- ④ Row No.-Pin No.:XX-Single row
- ⑤ Special No.
B-There are convex point and the buckle
- ⑥ Material: N0-PA66 94V-0
- ⑦ Color:
Blank-Natural Color
HF-Halogen free



Poles	Dimensions(mm)			Poles	Dimensions(mm)		
	A	B	C		A	B	C
02	2.54	5.08	--	12	27.94	30.48	25.40
03	5.08	7.62	--	13	30.48	33.02	27.94
04	7.62	10.16	5.08	14	33.02	35.56	30.48
05	10.16	12.70	7.62	15	35.56	38.10	33.02
06	12.70	15.24	10.16	16	38.10	40.64	35.56
07	15.24	17.78	12.70	17	40.64	43.18	38.10
08	17.78	20.32	15.24	18	43.18	45.72	40.64
09	20.32	22.86	17.78	19	45.72	48.26	43.18
10	22.86	25.40	20.32	20	48.26	50.80	45.72
11	25.40	27.94	22.86				

X9556H-XXB-N0HF	Nylon 66 UL 94V-0 Halogen Free	X9556T	X9556W
X9556H-XXB-N0	Nylon 66 UL 94V-0		
PART NO	Material	Suitable XKB Terminal	Suitable XKB Terminal

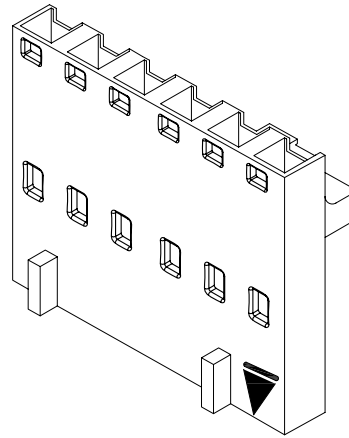
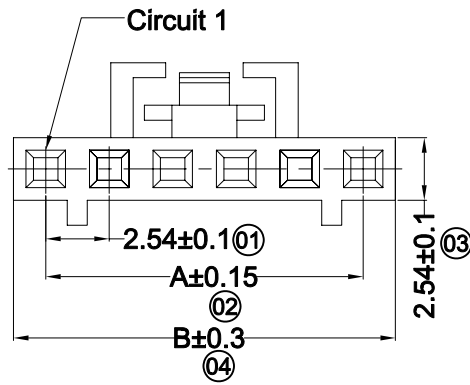
For and on behalf of
XKB INDUSTRIAL PRECISION CO., LIMITED
香港星坤工業精密有限公司

△ X					ANGULAR	±5°
△ X					L ≤ 4	±0.2
△ X					4 < L ≤ 16	±0.3
△ X					16 < L ≤ 63	±0.4
MARK	DESCRIPTION	DATE	REVISED	APPROVED	L > 63	±0.5
					UNSPECIFIED TOLERANCES	

DSND		DATE		SCALE: N/A	MODEL TYPE: X9556H-XXB-N0XX	
DWN		DATE		VIEW:	PART NO.:	
CHKD		DATE		UNIT: mm	2.54 mm Crimp Style Connectors	
APPD		DATE		SIZE: A4	DWG NO.:	
				WEIGHT	SHEET	REVISION
				1.0g	1/1	A0

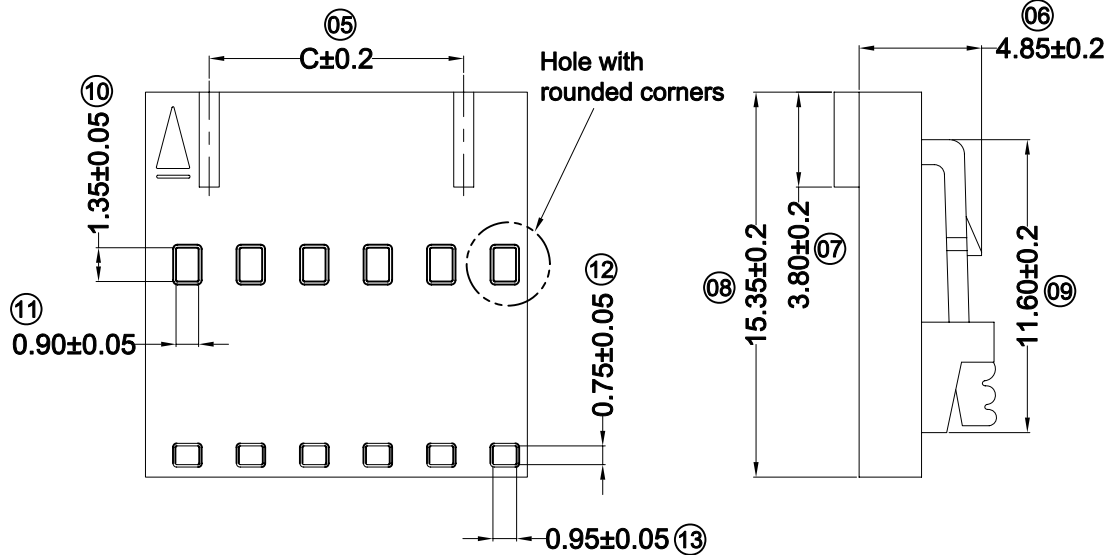
Authorized Signature(s)

XKB INDUSTRIAL PRECISION CO., LIMITED



Specifications :

- Voltage rating: 250V AC / DC
- Current rating: 3A AC / DC
- Withstanding voltage: 1500V AC/minute
- Temperature range: -25°C~+85°C
- Insulation resistance: ≥1000MΩ
- Contact resistance: ≤20mΩ
- After environmental testing: ≤30mΩ



X9556 H X-XX C-N0 XX

- ① Series No.
- ② Category: H-HSG
- ③ Welding Board Angle: Blank-ordinary
- ④ Row No.-Pin No.: XX-Single row
- ⑤ special No. C-Hole with rounded corners
- ⑥ Material: NO-PA66 94V-0
- ⑦ Color: Blank-Natural Color HF-Halogen free

Poles	Dimensions (mm)		
	A	B	C
2	2.54	5.08	—
3	5.08	7.62	2.54
4	7.62	10.16	5.08
5	10.16	12.70	7.62
6	12.70	15.24	10.16
7	15.24	17.78	12.70
8	17.78	20.32	15.24
9	20.32	22.86	17.78
10	22.86	25.40	20.32
11	25.40	27.94	22.86
12	27.94	30.48	25.40
13	30.48	33.02	27.94
14	33.02	35.56	30.48
15	35.56	38.10	33.02
16	38.10	40.64	35.56
17	40.64	43.18	38.10
18	43.18	45.72	40.64
19	45.72	48.26	43.18
20	48.26	50.80	45.72

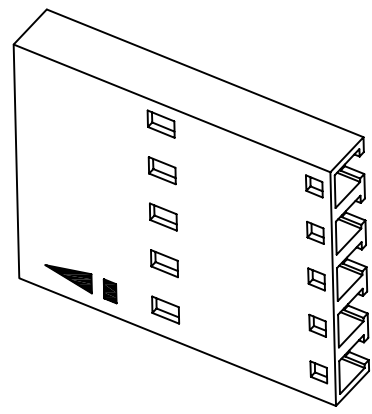
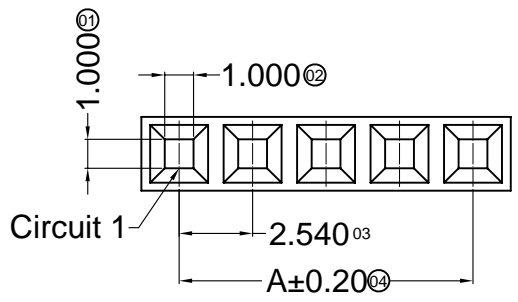
X9556H-XXC-N0HF	Nylon 66 UL 94V-0 Halogen Free	X9556T	X9556W
X9556H-XXC-N0	Nylon 66 UL 94V-0		
PART NO	Material	Suitable XKB Terminal	Suitable XKB Terminal

For and on behalf of
XKB INDUSTRIAL PRECISION CO., LIMITED
 香港星坤工業精密有限公司

△ X					ANGULAR	±5°
△ X					L ≤ 4	±0.2
△ X					4 < L ≤ 16	±0.3
△ X					16 < L ≤ 63	±0.4
MARK	DESCRIPTION	DATE	REVISED	APPROVED	L > 63	±0.5

REVISIONS
 Authorized Signature(s)

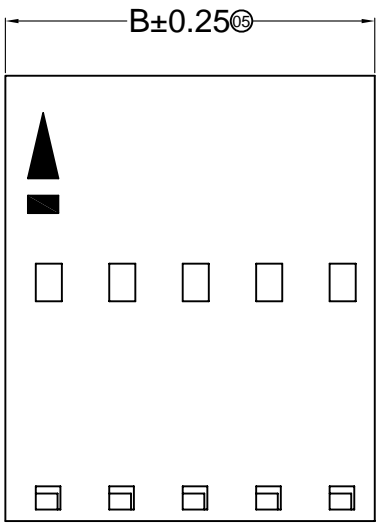
DSND		DATE		SCALE: N/A	MODEL TYPE: X9556H-XXC-N0XX	
DWN		DATE		VIEW:	PART NO.: 2.54 mm Crimp Style Connectors	
CHKD		DATE		UNIT: mm	DWG NO.:	
APPD		DATE		SIZE: A4		
XKB INDUSTRIAL PRECISION CO., LIMITED				WEIGHT	SHEET	REVISION
				1.0g	1/1	A0



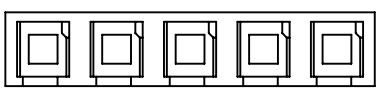
- Specifications :**
- Voltage rating: 250V AC / DC
 - Current rating: 3A AC / DC
 - Withstanding voltage: 1500V AC/minute
 - Temperature range: -25°C~+85°C
 - Insulation resistance: ≥1000MΩ
 - Contact resistance: ≤20mΩ
 - After environmental testing: ≤30mΩ

X9556 H X-XX X-N0 XX
 ① ② ③ ④ ⑤ ⑥ ⑦

- ① Series No.
- ② Category: H-HSG
- ③ Appearance type: Blank-Ordinary
- ④ Row No.-Pin No.: XX-02P~15P
- ⑤ Plug the Pin & special No.:
- ⑥ Material: N0-PA66 UL 94V-0
- ⑦ Color: Blank-Natural Color



Poles	Dimensions (mm)		Poles	Dimensions (mm)	
	A	B		A	B
02	2.54	5.15	09	20.32	22.93
03	5.08	7.69	10	22.86	25.47
04	7.62	10.23	11	25.40	28.01
05	10.16	12.77	12	27.94	30.55
06	12.70	15.31	13	30.48	33.09
07	15.24	17.85	14	33.02	35.63
08	17.78	20.39	15	35.56	38.17



X9556H-XX-N0	PA66 UL 94V-0	X9556T	X9556W
PART NO	Material	Suitable XKB Terminal	Suitable XKB Terminal

For and on behalf of
XKB INDUSTRIAL PRECISION CO., LIMITED
 香港星坤工業精密有限公司

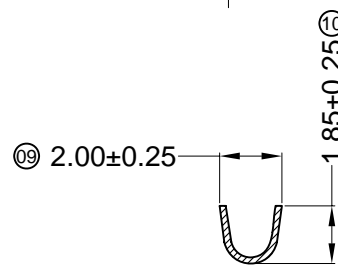
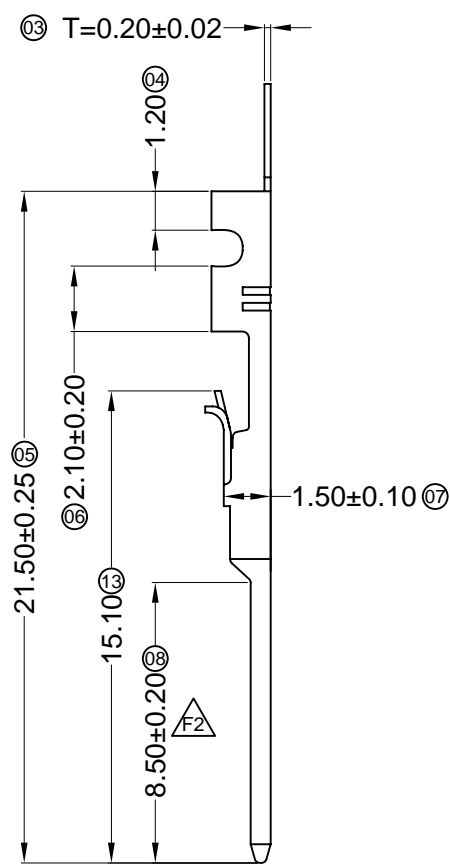
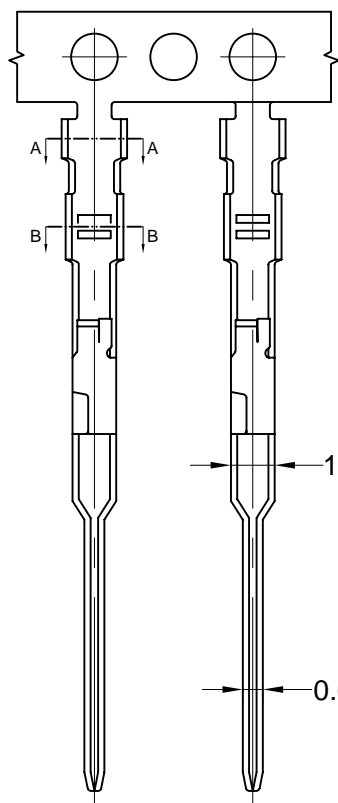
MARK	DESCRIPTION	DATE	REVISED	APPROVED	UNSPECIFIED TOLERANCES
△ X					ANGULAR ±5°
△ X					L ≤ 4 ±0.2
△ X					4 < L ≤ 16 ±0.3
△ X					16 < L ≤ 63 ±0.4
△ X					L > 63 ±0.5

DSND	DATE	SCALE: N/A	MODEL TYPE: X9556H-XX-N0
DWN	DATE	VIEW:	PART NO.: 2.54mm Crimp Style Connectors
CHKD	DATE	UNIT: mm	DWG NO.:
APPD	DATE	SIZE: A4	

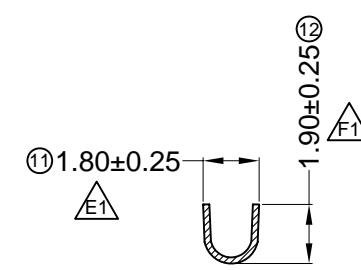
WEIGHT	SHEET	REVISION
1.0g	1/1	A0

REVISIONS
 Authorized Signature(s)

XKB INDUSTRIAL PRECISION CO., LIMITED



SECTION A-A
SCALE 1 : 1



SECTION B-B
SCALE 1 : 1

- Specifications :**
- Voltage rating: 250V AC / DC
 - Current rating: 3A AC / DC
 - Withstanding voltage: 1500V AC/minute
 - Temperature range: -25°C~+85°C
 - Insulation resistance: ≥1000MΩ
 - Contact resistance: ≤20mΩ
 - After environmental testing: ≤30mΩ

X9556 T M-P XX X-X

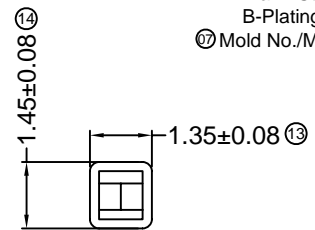
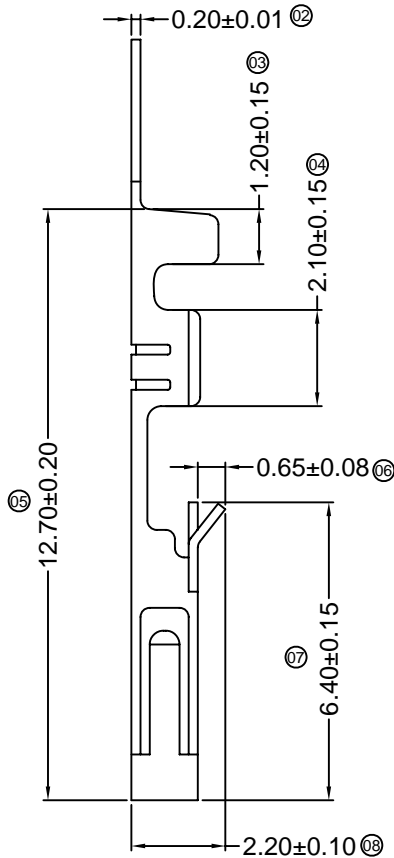
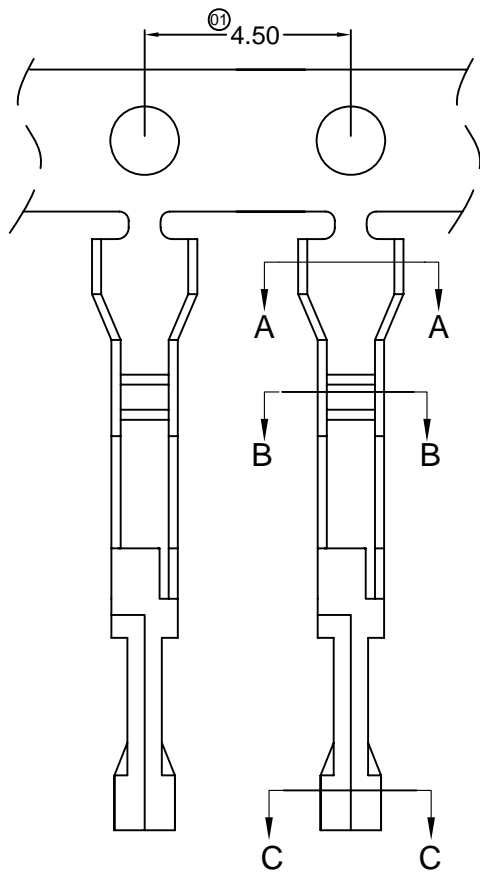
- ① Series Number
 ② Category: T-terminal
 ③ Shape: M-male
 ④ Material: P-Phosphor bronze
 ⑤ Plating style:
 G01-Gold Plated Contact
 SN-Bright tin plating
 ⑥ Plating method:
 Blank-Stamping before plating
 ⑦ Mold No./Mark/Special No.

X9556TM-PG01	Phosphor Bronze	AWG#22-26	1.63mm(Max)	Stamping Before Pating:30u" Ni;Contact Area Gold Flash	X9556HF
X9556TM-PSN				Stamping Before Pating:30u" Ni;70u"Sn	
PART NO	Material	Wire Range	Insulation O.D.	Finish	Suitable XKB

For and on behalf of
XKB INDUSTRIAL PRECISION CO., LIMITED
 香港星坤工業精密有限公司

△ X					ANGULAR	±5°
△ X					L ≤ 4	±0.2
△ X					4 < L ≤ 16	±0.3
△ X					16 < L ≤ 63	±0.4
MARK	DESCRIPTION	DATE	REVISED	APPROVED	L > 63	±0.5
REVISIONS				UNSPECIFIED TOLERANCES		

DSND		DATE		SCALE: N/A	MODEL TYPE: X9556TM-PXXX
DWN		DATE		VIEW:	PART NO.: 2.54 mm Crimp Style Connectors
CHKD		DATE		UNIT: mm	DWG NO.:
APPD		DATE		SIZE: A4	
Authorized Signature(s)				XKB INDUSTRIAL PRECISION CO., LIMITED	WEIGHT 1.0g
					SHEET 1/1
					REVISION A0

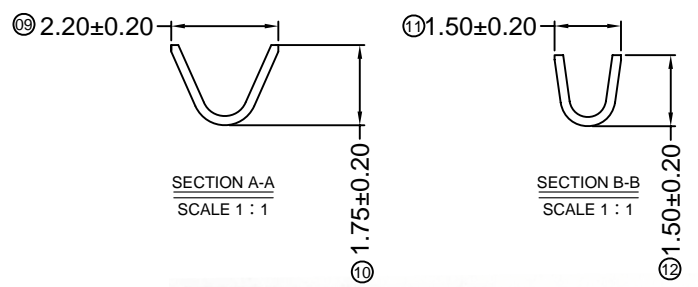


Specifications :

- Voltage rating: 250V AC / DC
- Current rating: 3A AC / DC
- Withstanding voltage: 1500V AC/minute
- Temperature range: -25°C~+85°C
- Insulation resistance: ≥1000MΩ
- Contact resistance: ≤20mΩ
- After environmental testing: ≤30mΩ

X9556 T XX - X XX X - X
 ① ② ③ ④ ⑤ ⑥ ⑦

- ① Series Number
- ② Category: T-terminal
- ③ Shape: Blank-ordinary
- ④ Material:
P-Phosphor bronze ; B-brass
- ⑤ Plating style:
G*-Gold-Plated Contact
*01-Gold Flash ;
*15-15u"
SN-Bright tin plating 70-120u"
0-No plating material
- ⑥ Plating method:
Blank-Stamping before plating
B-Plating before stamping
- ⑦ Mold No./Mark/Special No.

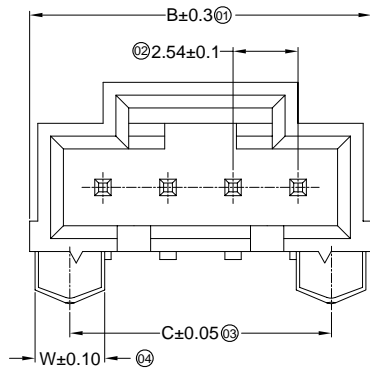


SECTION C-C
SCALE 1 : 1

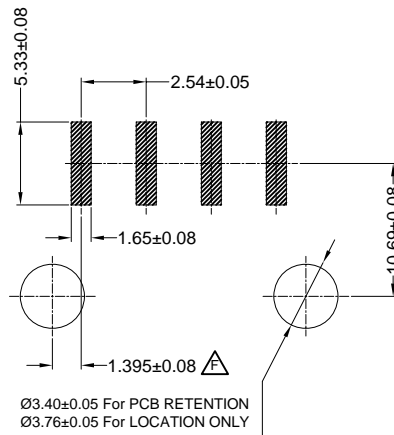
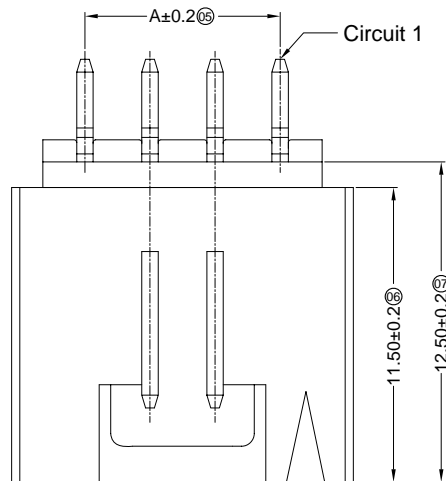
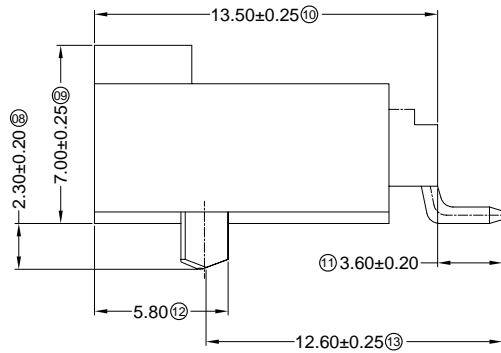
For and on behalf of
XKB INDUSTRIAL PRECISION CO., LIMITED
 香港星坤工業精密有限公司

DSND		DATE		SCALE: N/A	MODEL TYPE: X9556T-XX	
DWN		DATE		VIEW:	PART NO.: 2.54 mm Crimp Style Connectors	
CHKD		DATE		UNIT: mm	DWG NO.:	
APPD		DATE		SIZE: A4		
				WEIGHT	SHEET	REVISION
				1.0g	1/1	A0

△ X					ANGULAR	±5°
△ X					L ≤ 4	±0.2
△ X					4 < L ≤ 16	±0.3
△ X					16 < L ≤ 63	±0.4
MARK					L > 63	±0.5
REVISIONS				UNSPECIFIED TOLERANCES		
Authorized Signature(s)				XKB INDUSTRIAL PRECISION CO., LIMITED		



9556WRS-XX-LPV01	W=2.7
9556WRS-XXA-LPV01	W=3.12



Recommand PCB Layout

■ Specifications :

- Voltage rating: 250V AC / DC
- Current rating: 3A AC / DC
- Withstanding voltage: 1500V AC/minute
- Temperature range: -40°C~+105°C
- Insulation resistance: ≥1000M Ω E
- Contact resistance: ≤20m Ω E
- After environmental testing: ≤30m Ω E

X9556 W R S- XX-XX LP XX XX
① ② ③ ④ ⑤ ⑥ ⑦ ⑧ ⑨

- ① Series No.
- ② Category: W-wafer
- ③ Welding Board Angle: R-90°
- ④ Welding Way: S-SMT
- ⑤ Row No.-Pin No.: XX-Single row
- ⑥ Special NO. Blank: W=2.7 A: W=3.12
- ⑦ Material: LP-LCP 94V-0 4T-Nylon 4T 94V-0
- ⑧ Planting Category:
V**:All Gold-Plated *01-Gold Flash
SW-Matte Tin plating
- ⑨ Color:
Blank-Natural Color Black

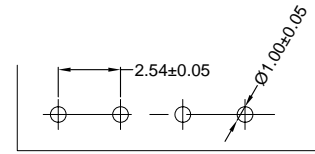
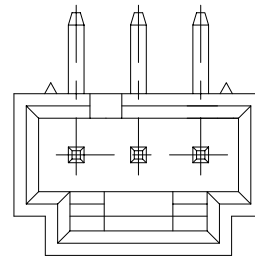
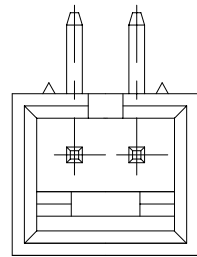
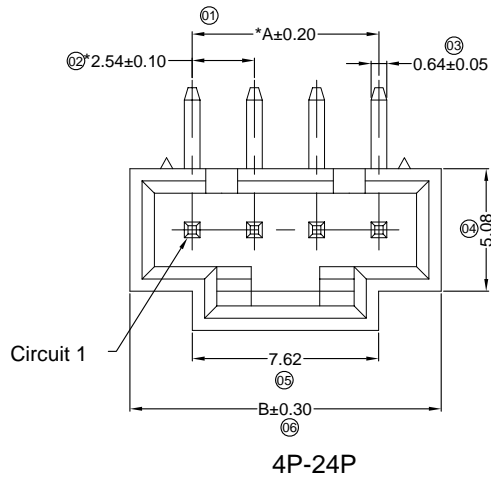
Poles	Dimensions (mm)			Poles	Dimensions (mm)		
	A	B	C		A	B	C
02	2.54	8.89	5.33	08	17.78	24.13	20.57
03	5.08	11.43	7.87	09	20.32	26.67	23.11
04	7.62	13.97	10.41	10	22.86	29.21	25.65
05	10.16	16.51	12.95	11	25.40	31.75	28.19
06	12.70	19.05	15.49	12	27.94	34.29	30.73
07	15.24	21.59	18.03				

X9556WRS-XXX-4TSW	Nylon 4T 94V-0	Brass	Matte tin	X9556H
X9556WRS-XXX-LPSW	LCP UL 94V-0		Gold-Flash	
X9556WRS-XXA-LPV01				
X9556WRS-XX-LPV01				
PART NO	Material	Material(Pin)	Finish(Pin)	Suitable XKB Terminal

For and on behalf of
XKB INDUSTRIAL PRECISION CO., LIMITED
香港星坤工業精密有限公司

△ X					ANGULAR	± 5°
△ X					L ≤ 4	± 0.2
△ X					4 < L ≤ 16	± 0.3
△ X					16 < L ≤ 63	± 0.4
MARK					L > 63	± 0.5
REVISIONS					UNSPECIFIED TOLERANCES	
Authorized Signature(s)					XKB INDUSTRIAL PRECISION CO., LIMITED	

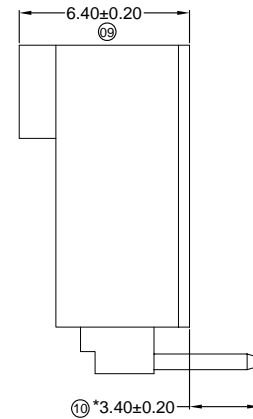
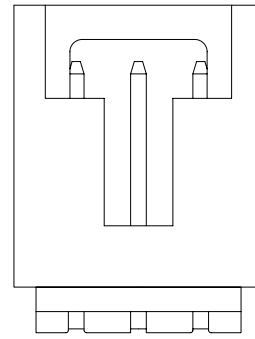
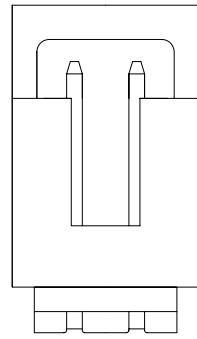
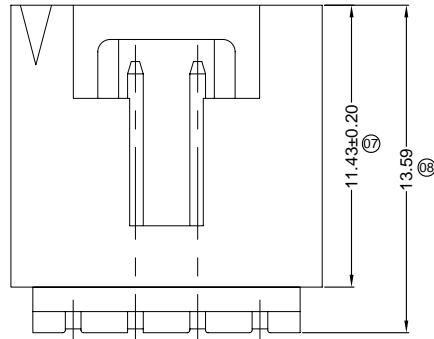
DSND		DATE		SCALE: N/A	MODEL TYPE: X9556WRS-XXX-XXXX	
DWN		DATE		VIEW:	PART NO.: 2.54 mm Crimp Style Connectors	
CHKD		DATE		UNIT: mm	DWG NO.:	
APPD		DATE		SIZE: A4		
				WEIGHT	SHEET	REVISION
				1.0g	1/1	A0



Recommend PCB Layout

■ Specifications :

- Voltage rating: 250V AC / DC
- Current rating: 3A AC / DC
- Withstanding voltage: 1500V AC/minute
- Temperature range: -25°C~+85°C
- Insulation resistance: ≥1000MΩ
- Contact resistance: ≤20mΩ
- After environmental testing: ≤30mΩ



X9556 W R XX- XX X-N0V01 XX

- ① Series No.
- ② Category: W-wafer
- ③ Welding Board Angle: R-90°
- ④ Welding Way: Blank-DIP
- ⑤ Row No.-Pin No. XX-Single row
- ⑥ Special NO.
- ⑦ Material: N0-PA66 94V-0
- ⑧ Planting Category: V**:All Gold-Plated
*01-1u" ; *02-2u" ; *03-3u" ; *05-5u"
*10-10u" ; *15-15u" ; *30-30u" ; *50-50u"
SN-Bright tin plating 70U"
SN1-Bright tin plating 120U"Min. ;
SW-Fog Tin plating
- ⑨ Color: Blank-natural color

Poles	Dimensions (mm)	
	A	B
2	2.54	7.62
3	5.08	10.16
4	7.62	12.70
5	10.16	15.24
6	12.70	17.78
7	15.24	20.32
8	17.78	22.86
9	20.32	25.40
10	22.86	27.94
11	25.40	30.48
12	27.94	33.02
13	30.48	35.56
14	33.02	38.10
15	35.56	40.64
16	38.10	43.18
17	40.64	45.72
18	43.18	48.26
19	45.72	50.80
20	48.26	53.34
21	50.80	55.88
22	53.34	58.42
23	55.88	60.96
24	58.42	63.50

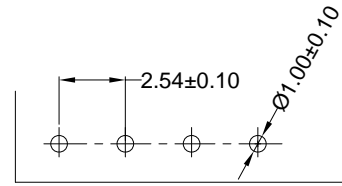
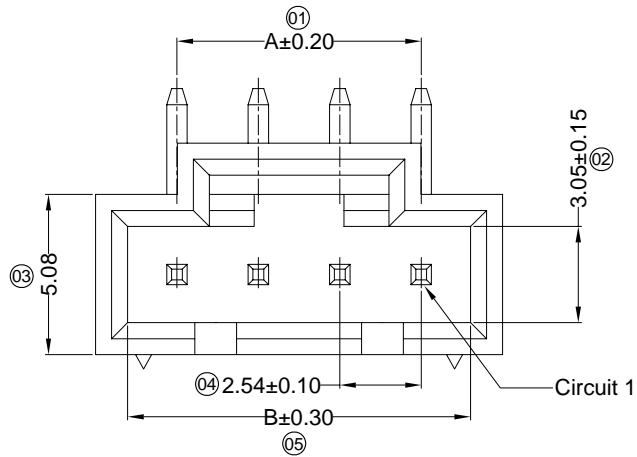
X9556WR-XX-N0V01	Nylon 66 UL 94V-0	Brass	Gold-Flash	X9556H
PART NO	Material	Material(Pin)	Finish(Pin)	Suitable XKB Terminal

For and on behalf of
XKB INDUSTRIAL PRECISION CO., LIMITED
 香港星坤工業精密有限公司

△ X					ANGULAR	±5°
△ X					L ≤ 4	±0.2
△ X					4 < L ≤ 16	±0.3
MARK	DESCRIPTION	DATE	REVISED	APPROVED	16 < L ≤ 63	±0.4
					L > 63	±0.5
REVISIONS					UNSPECIFIED TOLERANCES	

DSND	DATE	SCALE: N/A	MODEL TYPE:
DWN	DATE	VIEW:	X9556WR-XX-N0V01
CHKD	DATE	UNIT: mm	PART NO.:
APPD	DATE	SIZE: A4	2.54 mm Crimp Style Connectors
			DWG NO.:
		WEIGHT	SHEET
		1.0g	1/1
		REVISION	A0

XKB INDUSTRIAL PRECISION CO., LIMITED



Recommnd PCB Layout

■ Specifications :

- Voltage rating: 250V AC / DC
- Current rating: 3A AC / DC
- Withstanding voltage: 1500V AC/minute
- Temperature range: -25°C~+85°C
- Insulation resistance: ≥1000MΩ
- Contact resistance: ≤20mΩ
- After environmental testing: ≤30mΩ

X9556 W R XX- XXRB-N0V01 XX
 ① ② ③ ④ ⑤ ⑥ ⑦ ⑧ ⑨

① Series No.

② Category:

W-wafer

③ Welding Board Angle:

R-90°

④ Welding Way:

Blank-DIP

⑤ Row No.-Pin No.

XX-Single row

⑥ Special NO.

RB-Reverse bending

⑦ Material:

N0-PA66 94V-0

⑧ Planting Category:

V** : All Gold-Plated

*01-Gold Flash ; *02-2u" ; *03-3u" ; *05-5u"

*10-10u" ; *15-15u" ; *30-30u" ; *50-50u"

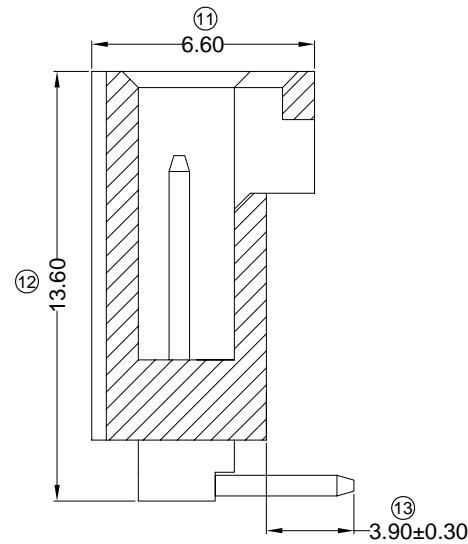
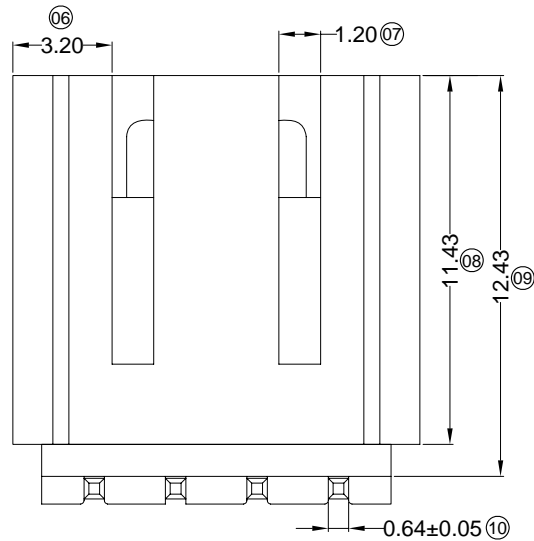
SN-Bright tin plating 70u"

SN1-Bright tin plating 120u"Min. ;

SW-Fog Tin plating

⑨ Color:

Blank-natural color

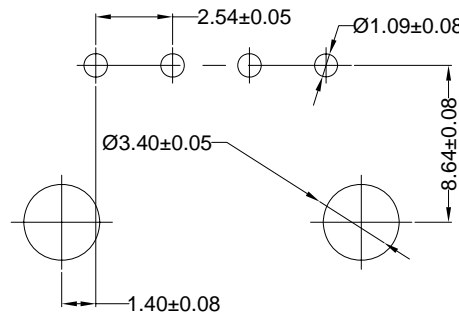
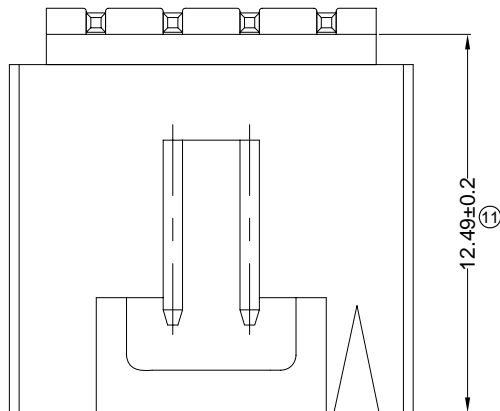
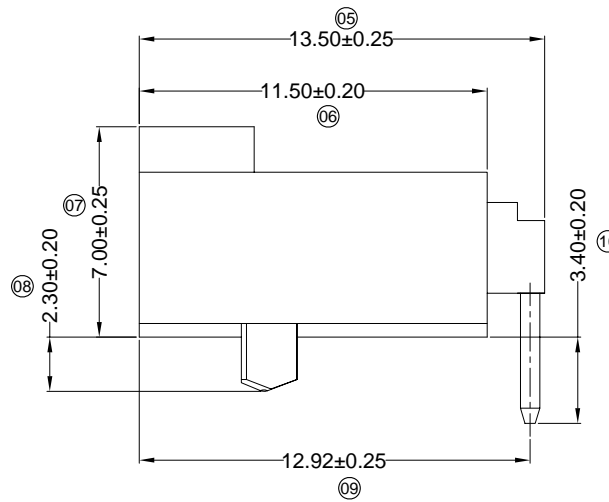
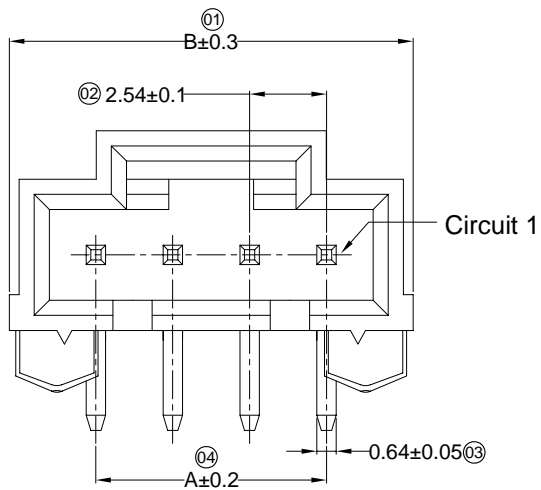


Poles	Dimensions (mm)	
	A	B
2	2.54	5.59
3	5.08	8.13
4	7.62	10.67
5	10.16	13.21
6	12.70	15.75
7	15.24	18.29
8	17.78	20.83
9	20.32	23.37
10	22.86	25.91
11	25.40	28.45
12	27.94	30.99
13	30.48	33.53
14	33.02	36.07
15	35.56	38.61

X9556WR-XXRB-N0V01	Nylon 66 UL 94V-0	Brass	Gold-Flash	X9556H
PART NO	Material	Material(Pin)	Finish(Pin)	Suitable XKB Terminal

For and on behalf of
XKB INDUSTRIAL PRECISION CO., LIMITED
 香港星坤工業精密有限公司

△ X					ANGULAR	±5°	DSND		DATE		SCALE: N/A	MODEL TYPE: X9556WR-XXRB-N0V01		
△ X					L ≤ 4	±0.2	DWN		DATE		VIEW:	PART NO.:		
△ X					4 < L ≤ 16	±0.3	CHKD		DATE		UNIT: mm	2.54 mm Crimp Style Connectors		
MARK	DESCRIPTION	DATE	REVISED	APPROVED	16 < L ≤ 63	±0.4	APPD		DATE		SIZE: A4	DWG NO.:		
					L > 63	±0.5								
	REVISIONS				UNSPECIFIED TOLERANCES			XKB INDUSTRIAL PRECISION CO., LIMITED				WEIGHT	SHEET	REVISION
												1.0g	1/1	A0



Recommend PCB Layout

Specifications :

- Voltage rating: 250V AC / DC
- Current rating: 3A AC / DC
- Withstanding voltage: 1500V AC/minute
- Temperature range: -25°C~+85°C
- Insulation resistance: ≥1000MΩ
- Contact resistance: ≤20mΩ
- After environmental testing: ≤30mΩ

X9556 W R XX- XX S HF-9T VXX XX

①① ①② ①③ ①④ ①⑤ ①⑥ ①⑦ ①⑧ ①⑨

- ①① Series No.
- ①② Category:
W-wafer
- ①③ Welding Board Angle:
R-90°
- ①④ Welding Way:
Blank-DIP
- ①⑤ Row No.-Pin No.
XX-Single row
- ①⑥ Special NO.
S-With positioning column ; HF-Halogen Free
- ①⑦ Material:
9T-Nylon 9T 94V-0
- ①⑧ Planting Category:
V**:-All Gold-Plated
*01-Gold Flash ; *02-2u" ; *03-3u" ; *05-5u"
*10-10u" ; *15-15u" ; *30-30u" ; *50-50u"
SN1-Bright tin plating 70u"
SN1-Bright tin plating 120u"Min. ;
SW-Fog Tin plating
- ①⑨ Color:
Blank-natural color

Poles	Dimensions (mm)	
	A	B
2	2.54	8.53
3	5.08	11.07
4	7.62	13.61
5	10.16	16.51
6	12.70	18.69
7	15.24	21.23
8	17.78	23.77
9	20.32	26.31
10	22.86	28.85
11	25.40	31.39
12	27.94	33.93

X9556WR-XXSHF-9TV15	Nylon 9T UL 94V-0 Halogen Free	Brass	Gold 15u"	X9556H
X9556WR-XXS-9TV01	Nylon 9T UL 94V-0	Brass	Gold-Flash	X9556H
PART NO	Material	Material(Pin)	Finish(Pin)	Suitable XKB Terminal

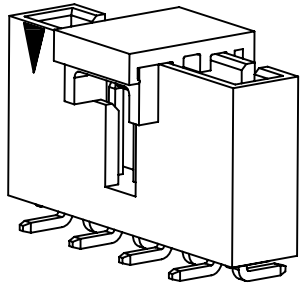
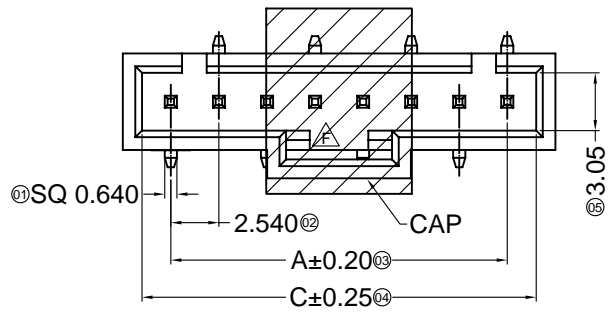
For and on behalf of
XKB INDUSTRIAL PRECISION CO., LIMITED
香港星坤工業精密有限公司

MARK	DESCRIPTION	DATE	REVISED	APPROVED	UNSPECIFIED TOLERANCES
△ X					ANGULAR ±5°
△ X					L ≤ 4 ±0.2
△ X					4 < L ≤ 16 ±0.3
					16 < L ≤ 63 ±0.4
					L > 63 ±0.5

DSND	DATE	SCALE: N/A	MODEL TYPE: X9556WR-XXS-9TVXX
DWN	DATE	VIEW:	PART NO.:
CHKD	DATE	UNIT: mm	2.54 mm Crimp Style Connectors
APPD	DATE	SIZE: A4	DWG NO.:
			WEIGHT 1.0g
			SHEET 1/1
			REVISION A0

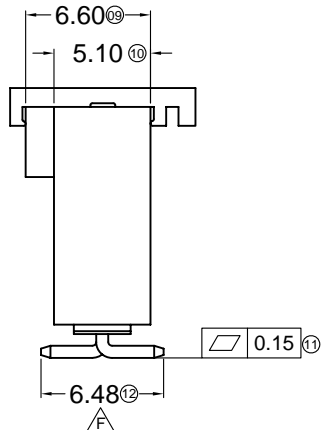
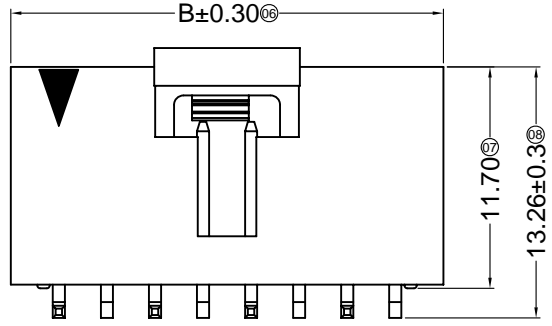
REVISIONS
Authorized Signature(s)

XKB INDUSTRIAL PRECISION CO., LIMITED



Specifications :

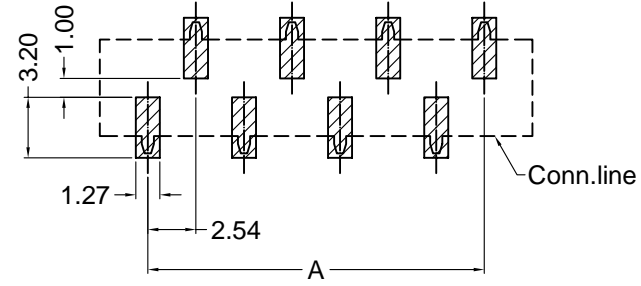
- Voltage rating: 250V AC / DC
- Current rating: 3A AC / DC
- Withstanding voltage: 1500V AC/minute
- Temperature range: -40°C~+105°C
- Insulation resistance: ≥1000MΩ
- Contact resistance: ≤20mΩ
- After environmental testing: ≤30mΩ



X9556 W V S-XX X-4T XX XX

① ② ③ ④ ⑤ ⑥ ⑦ ⑧ ⑨

- ① Series No.
- ② Category: W-WAFER
- ③ Welding Board Angle: V-Straight 180°
- ④ Welding Way: S-SMT
- ⑤ Row No.-Pin No.: XX-02P~20P
- ⑥ Plug the Pin & Special No.:
- ⑦ Material: 4T -PA4T UL 94V-0
- ⑧ Plating Category: V01-Gold Flash
SW-Matte Tin Plating
- ⑨ Color : Blank-Natural Color Black



Recommended P.C.B Layout
General Tolerance±0.05

Poles	Dimensions (mm)			Poles	Dimensions (mm)		
	A	B	C		A	B	C
02	2.54	7.62	5.59	12	27.94	33.02	30.99
03	5.08	10.16	8.13	13	30.48	35.56	33.53
04	7.62	12.70	10.67	14	33.02	38.10	36.07
05	10.16	15.24	13.21	15	35.56	40.64	38.61
06	12.70	17.78	15.75	16	38.10	43.18	41.15
07	15.24	20.32	18.29	17	40.64	45.72	43.69
08	17.78	22.86	20.83	18	43.18	48.26	46.23
09	20.32	25.40	23.37	19	45.72	50.80	48.77
10	22.86	27.94	25.91	20	48.26	53.34	51.31
11	25.40	30.48	28.45				

X9556WVS-XX-4TSW	PA 4T UL 94V-0	Brass	Matte Tin	X9556H
X9556WVS-XX-4TV01	PA 4T UL 94V-0	Brass	Gold-Flash	X9556H
PART NO	Material	Material(Pin)	Finish(Pin)	Suitable XKB Terminal

For and on behalf of
XKB INDUSTRIAL PRECISION CO., LIMITED
香港星坤工業精密有限公司

DSND	DATE	SCALE: N/A	MODEL TYPE:
DWN	DATE	VIEW:	X9556WVS-XX-4TXX
CHKD	DATE	UNIT: mm	PART NO.:
APPD	DATE	SIZE: A4	2.54mm Crimp Style Connector
			DWG NO.:
		WEIGHT	SHEET
		1.0g	1/1
		REVISION	A0

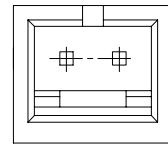
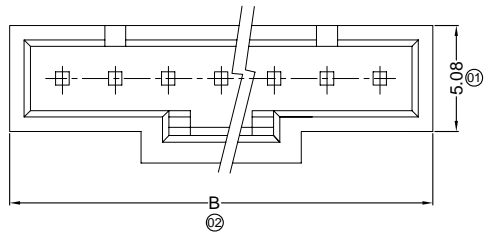
MARK	DESCRIPTION	DATE	REVISED	APPROVED	UNSPECIFIED TOLERANCES
△ X					ANGULAR ±5°
△ X					L ≤ 4 ±0.2
△ X					4 < L ≤ 16 ±0.3
					16 < L ≤ 63 ±0.4
					L > 63 ±0.5

Authorized Signature(s)

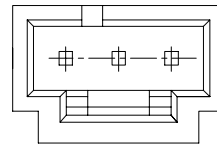
XKB INDUSTRIAL PRECISION CO., LIMITED

■ Specifications :

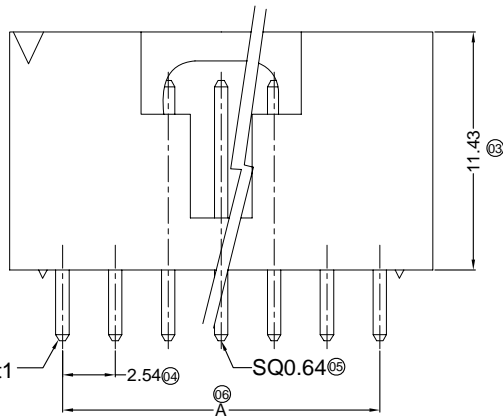
- Voltage rating: 250V AC / DC
- Current rating: 3A AC / DC
- Withstanding voltage: 1500V AC/minute
- Temperature range: -25°C~+85°C
- Insulation resistance: ≥1000MΩ
- Contact resistance: ≤20mΩ
- After environmental testing: ≤30mΩ



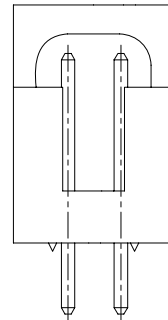
2P



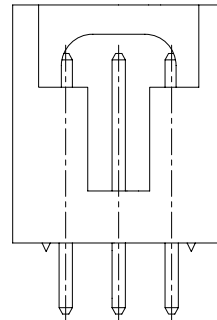
3P



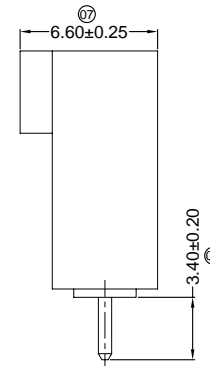
4P-24P



2P



3P

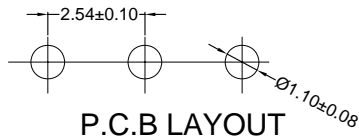


X9556 W V XX- XX X-N0XX XX

(11) (12) (13) (14) (15) (16) (17) (18) (19)

- (11) Series No.
- (12) Category:
W-wafer
- (13) Welding Board Angle:
V-180°
- (14) Welding Way:
Blank-DIP
- (15) Row No.-Pin No.
XX-Single row
- (16) Special NO.
- (17) Material:
N0-PA66 94V-0
- (18) Plating Category:
V** : All Gold-Plated
*01-Gold Flash ; *02-2u" ; *03-3u" ; *05-5u"
*10-10u" ; *15-15u" ; *30-30u" ; *50-50u"
SN1-Bright tin plating 70u"
SN1-Bright tin plating 120u"Min. ;
SW-Fog Tin plating
- (19) Color:
Blank-natural color

Poles	Dimensions (mm)	
	A	B
2	2.54	7.62
3	5.08	10.16
4	7.62	12.70
5	10.16	15.24
6	12.70	17.78
7	15.24	20.32
8	17.78	22.86
9	20.32	25.40
10	22.86	27.94
11	25.40	30.48
12	27.94	33.02
13	30.48	35.56
14	33.02	38.10
15	35.56	40.64
16	38.10	43.18
17	40.64	45.72
18	43.18	48.26
19	45.72	50.80
20	48.26	53.34
21	50.80	55.88
22	53.34	58.42
23	55.88	60.96
24	58.42	63.50



P.C.B LAYOUT

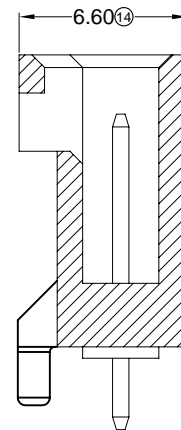
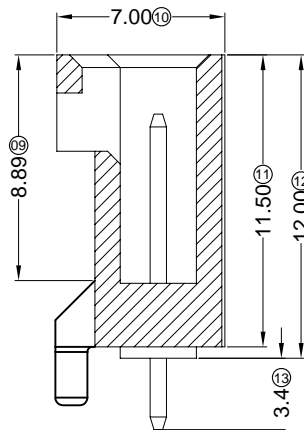
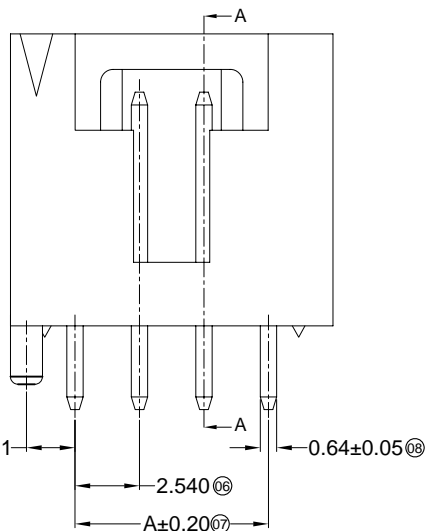
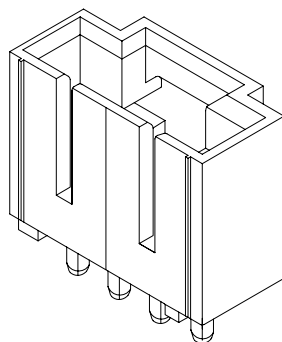
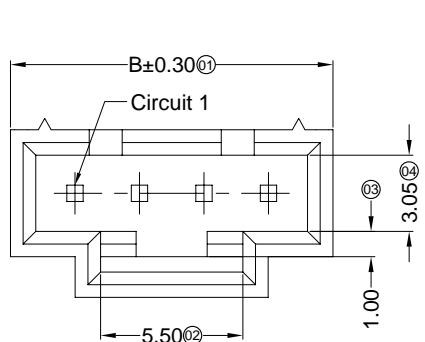
X9556WV-XX-N0V15	Nylon 66 UL 94V-0	Brass	Gold-Plated 15u"	X9556H
X9556WV-XX-N0V01	Nylon 66 UL 94V-0	Brass	Gold-Flash	
PART NO	Material	Material(Pin)	Finish(Pin)	Suitable XKB Terminal

For and on behalf of
XKB INDUSTRIAL PRECISION CO., LIMITED
 香港星坤工業精密有限公司

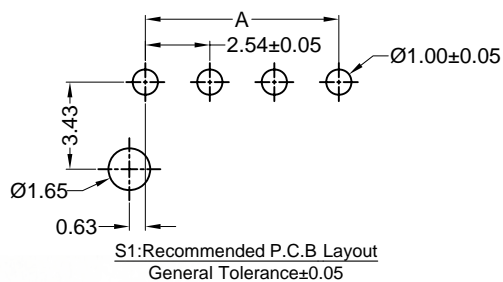
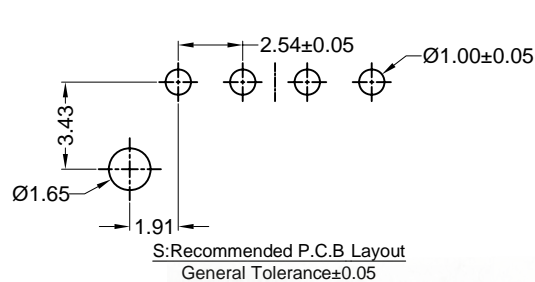
△ X					ANGULAR	±5°
△ X					L ≤ 4	±0.2
△ X					4 < L ≤ 16	±0.3
△ X					16 < L ≤ 63	±0.4
MARK	DESCRIPTION	DATE	REVISED	APPROVED	L > 63	±0.5

REVISIONS
 Authorized Signature(s)

DSND	DATE	SCALE: N/A	MODEL TYPE:
DWN	DATE	VIEW:	X9556WV-XX-N0XX
CHKD	DATE	UNIT: mm	2.54 mm Crimp Style Connectors
APPD	DATE	SIZE: A4	DWG NO.:
XKB INDUSTRIAL PRECISION CO., LIMITED			WEIGHT
			SHEET
			REVISION
			1.0g
			1/1
			A0



SECTION A-A
SCALE 1 : 1



■ Specifications :

- Voltage rating: 250V AC / DC
- Current rating: 3A AC / DC
- Withstanding voltage: 1500V AC/minute
- Temperature range: -25°C~+85°C
- Insulation resistance: ≥1000MΩ
- Contact resistance: ≤20mΩ
- After environmental testing: ≤30mΩ

X9556 W V X-XX SX- LP XXX XX
① ② ③ ④ ⑤ ⑥ ⑦ ⑧ ⑨

- ① Series No.
- ② Category: W-wafer
- ③ Welding Board Angle: V- Straight 180°
- ④ Welding Way: Blank-DIP
- ⑤ Row No.-Pin No.: XX-02P~24P
- ⑥ Plug the Pin & Special No.:
S-With Post,distance Pin 1.91mm;
S1-With Post ,distance Pin 0.63mm;
- ⑦ Material: LP-LCP 94V-0 ;
- ⑧ Planting Category: V01-Gold Flash ;
- ⑨ Color: Blank-Natural Color

Poles	Dimensions (mm)		Poles	Dimensions (mm)	
	A	B		A	B
2	2.54	7.62	14	33.02	38.10
3	5.08	10.16	15	35.56	40.64
4	7.62	12.70	16	38.10	43.18
5	10.16	15.24	17	40.64	45.72
6	12.70	17.78	18	43.18	48.26
7	15.24	20.32	19	45.72	50.80
8	17.78	22.86	20	48.26	53.34
9	20.32	25.40	21	50.80	55.88
10	22.86	27.94	22	53.34	58.42
11	25.40	30.48	23	55.88	60.96
12	27.94	33.02	24	58.42	63.50
13	30.48	35.56			

X9556WV-XXSX-LPV01	LCP UL 94V-0	Brass	Gold-Flash	X9556H
PART NO	Material	Material(Pin)	Finish(Pin)	Suitable XKB Terminal

For and on behalf of
XKB INDUSTRIAL PRECISION CO., LIMITED
香港星坤工業精密有限公司

DSND	DATE	SCALE: N/A	MODEL TYPE: X9556WV-XXSX-LPV01
DWN	DATE	VIEW:	PART NO.: 2.54 mm Crimp Style Connectors
CHKD	DATE	UNIT: mm	DWG NO.:
APPD	DATE	SIZE: A4	
UNSPECIFIED TOLERANCES			WEIGHT
XKB INDUSTRIAL PRECISION CO., LIMITED			SHEET
			REVISION
			1.0g
			1/1
			A0

REVISIONS
Authorized Signature(s)

MARK	DESCRIPTION	DATE	REVISED	APPROVED	ANGULAR	TOLERANCES
△ X					±5°	
△ X					L ≤ 4	±0.2
△ X					4 < L ≤ 16	±0.3
△ X					16 < L ≤ 63	±0.4
MARK					L > 63	±0.5