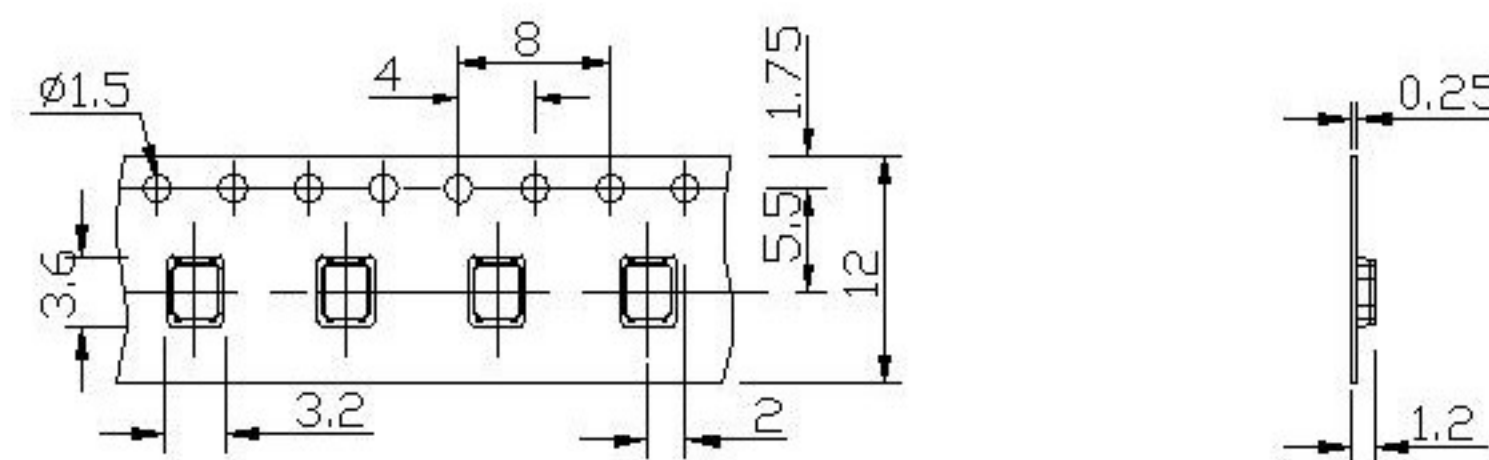
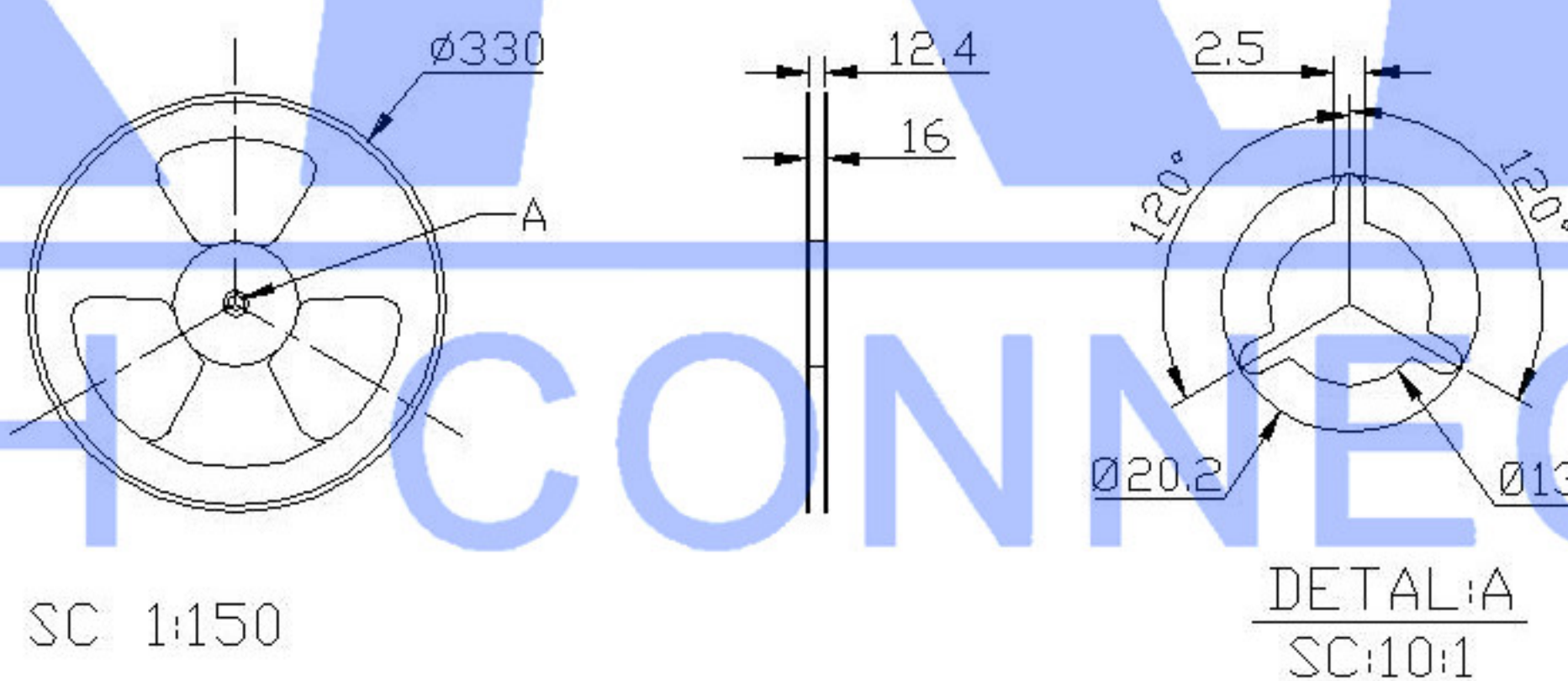


Recommended PAD Layout $\Phi \pm 0.05$
 Recommended solder thickness: $T = 0.10 \pm 0.01$



1. RATING: DC 12V, 50mA Max
2. TRAVEL: 0.15 ± 0.05 mm
3. LIFE: 300,000 cycles
4. PACKAGE: 5000Pcs/Reel

PAPT NO	TS-2630A-X
Operating Force	B: 200gf C: 260gf
Height	H: 0.45

ITEM	PAPT NAME	TER. NO	QTY	MATERIAL	FINISHING	REMARK
⑤	Terminal	—	4	Brass	ag Plated	—
④	Contact	—	2	F.ag/SUS		—
③	Base	—	1	LCP		—
②	Cover	—	1	kapton filmPI	Tin plated	—
①	Keystake	—	1	PET		—

DSND		DATE		SCALE: N/A	MODEL TYPE: TACT SWITCH
DWN		DATE		VIEW: \oplus	PART NO.:
CHKD		DATE		UNIT: mm	DWG NO.:
APPD		DATE		SIZE: A4	TS-2630A-X
				KXB INDUSTRIAL PRECISION CO., LIMITED	WEIGHT 1.0g
					SHEET 1/1
					REVISION A0

MARK	DESCRIPTION	DATE	REVISED	APPROVED	units: mm
					tolerance:
					X.X ±0.2mm
					X.XX ±0.1mm
					X.XXX ±0.05mm
					UNSPECIFIED TOLERANCES

REVISIONS
 www.xk-dg.cn www.helloxkb.com www.helloxkb.cn