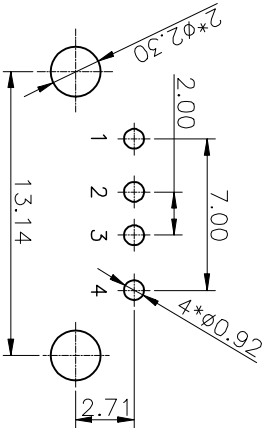
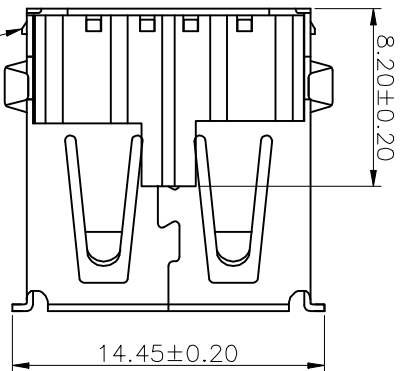
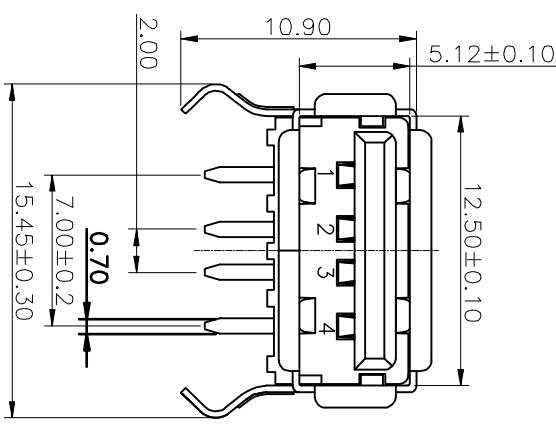
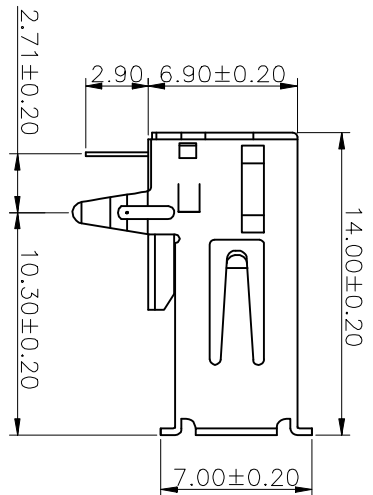


客户确认  
日期



P.C.B LAY OUT  
TOL.: ±0.05

NOTES:

1. MATERIAL:
  - 1.1 Housing: thermoplastic plastics
  - 1.2 terminals: Copper Alloy
  - 1.3 Shell: Steel & Copper Alloy
2. ELECTRICAL CHARACTERISTICS:
  - 2.1 Rating Current : 1.5 Ampere
  - 2.2 Rating Voltage : 30 V Max
  - 2.3 Contact Resistance: 30 Milli ohms
  - 2.4 Insulation Resistance: 1000 Mega ohms Min.
3. MECHANICAL CHARACTERISTICS:
  - 3.1 Connector Mating force: 35N MAX(3.57KgF)
  - 3.2 Connector Unmating force: 10N min(1.02kgf)
  - 3.3 Durability: 1500 Cycles.
4. ENVIRONMENT CHARACTERISTICS:
  - 4.1 Operating temperature: -0°C to +50°C
  - 4.2 Storage temperature: -20°C to +60°C

TOLERANCE TABLE	
.0	±0.20
.00	±0.10
.000	±0.05

APPROVED:	DATE:	深圳市灿科盟实业有限公司 CHANKEMENG INDUSTRY CO., LTD
CHECKED:	DATE:	
DRAWN:	DATE:	TITLE: USB A/F-1x4P 90度弯插 母座 白胶 铜壳 Part P/N U-USBAR04P-F002 UNIT mm SCALE 1:1 FILE NO. Chantw-USB-00009 REV. A ELMO
ZYJ	2018-4-23	