

APPROVAL SPECIFICATIONS

Title. Memory Card Connector

Product Model. SMN-327

Customer's Part NO.

Customer's Model:

Customer's Approval Requested.

Please return this copy as a certification of your approval.

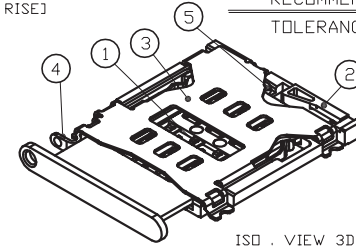
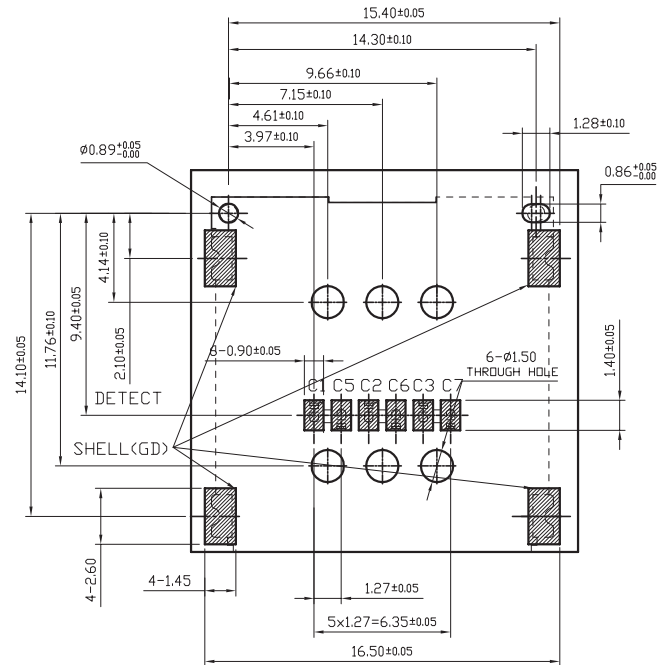
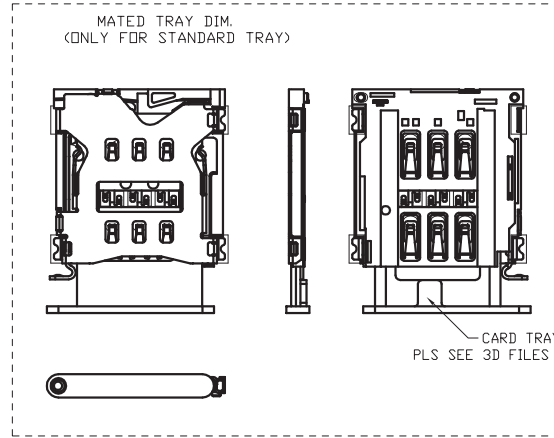
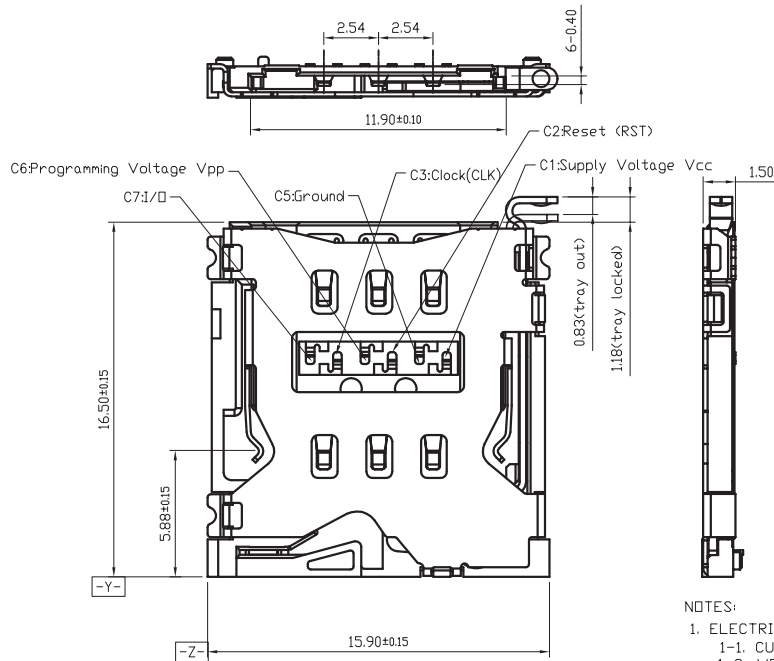
Checked by: _____ Date: _____

Approved by: _____ Date: _____

APPROVE	REVIEW	POLT
王凯	林永坚	陈旺

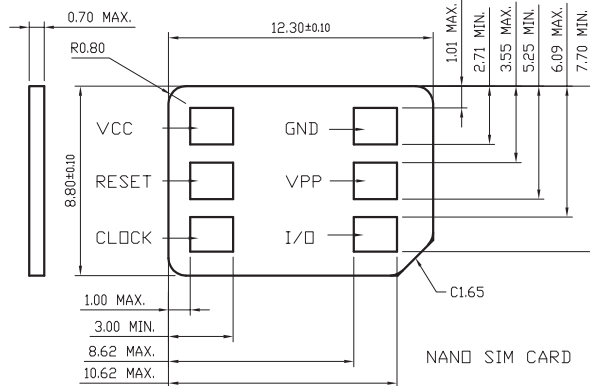
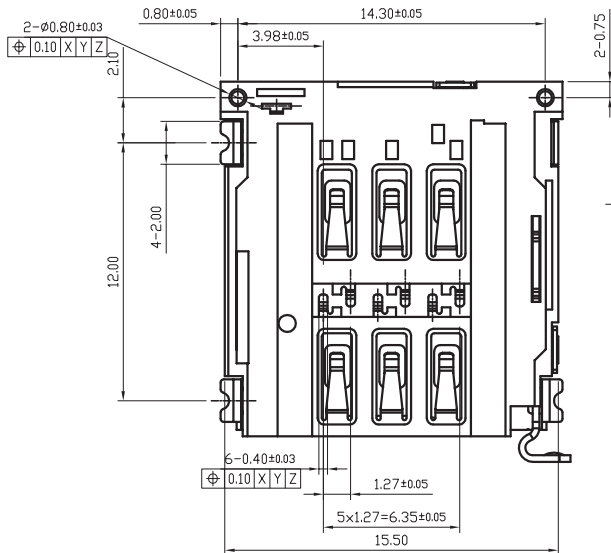
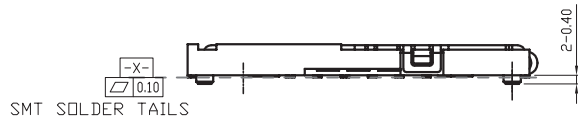
XUNPU ELECTRONICS CO.,LTD

REV.	ECN NO OR DESCRIPTION	REVISED	DATE
Δ X1	PROPOSE ONLY	SIMON	2013.01.23
Δ B	取消外壳DIP脚, 提高组装效率	SIMON	2013.10.13



NOTES:

- ELECTRICAL CHARACTERISTICS:
 - CURRENT RATING: 1 Amp/PIN. MAX.
 - VOLTAGE: 30V DC. MAX.
 - LOW LEVEL CONTACT RESISTANCE: 30 mOhms MAX. INITIALLY.
 - DIELECTRIC WITHSTANDING VOLTAGE: 500V AC MIN. FOR 1 MINUTE.
 - INSULATION RESISTANCE: 100MOhms MIN. (<DC 500V FOR 1 MINUTE)
- MECHANICAL CHARACTERISTICS:
 - DURABILITY: 1500 CYCLES.
 - OPERATING FORCE (INSERTING & WITHDRAWAL): 1N-10N.
- ENVIRONMENTAL CHARACTERISTICS:
 - OPERATING TEMP. RANGE: -25°C TO 85°C. [INCLUDING TERMINAL TEMP. RISE]
 - STORAGE TEMP.: -40°C TO 85°C.
- QUANTITY OF PRODUCTS: 1000PCS/REEL MIN.



ITEM	PART NAME	Q'TY	DESCRIPTION
5	HINGE	1	SUS, NO PLATING
4	LEVER	1	SUS, NO PLATING
3	SHELL	1	SUS, GOLD PLATING
2	HOUSING	1	LCP, BLACK
1	CONTACT	1	BRONZE ALLOY, GOLD PLATING

UNLESS OTHERWISE SPECIFIED TOLERANCES		東莞市訊普電子科技有限公司			
DECIMALS:	ANGLES:	TITLE	NAND SIM Card 6pin 1.5H CONN. WITH LEVER (NO DITECT)		
X :±0.5	X :±2°	DWN	JOHNLE	PART NO.	SMN-327
X.X :±0.20	X.X :±1°	CHKD	KEVIN.D	SCALE:1:1	UNIT: mm
X.XX :±0.10		APVD	SIMON.M	SIZE: A4	SHEET:10F 1
CUSTOMER COPY					