

APPROVAL SPECIFICATIONS

Title. IPX6 防水MICRO USB插座

Product Model. MU-0111

Customer's Part NO.

Customer's Model:

Customer's Approval Requested.

Please return this copy as a certification of your approval.

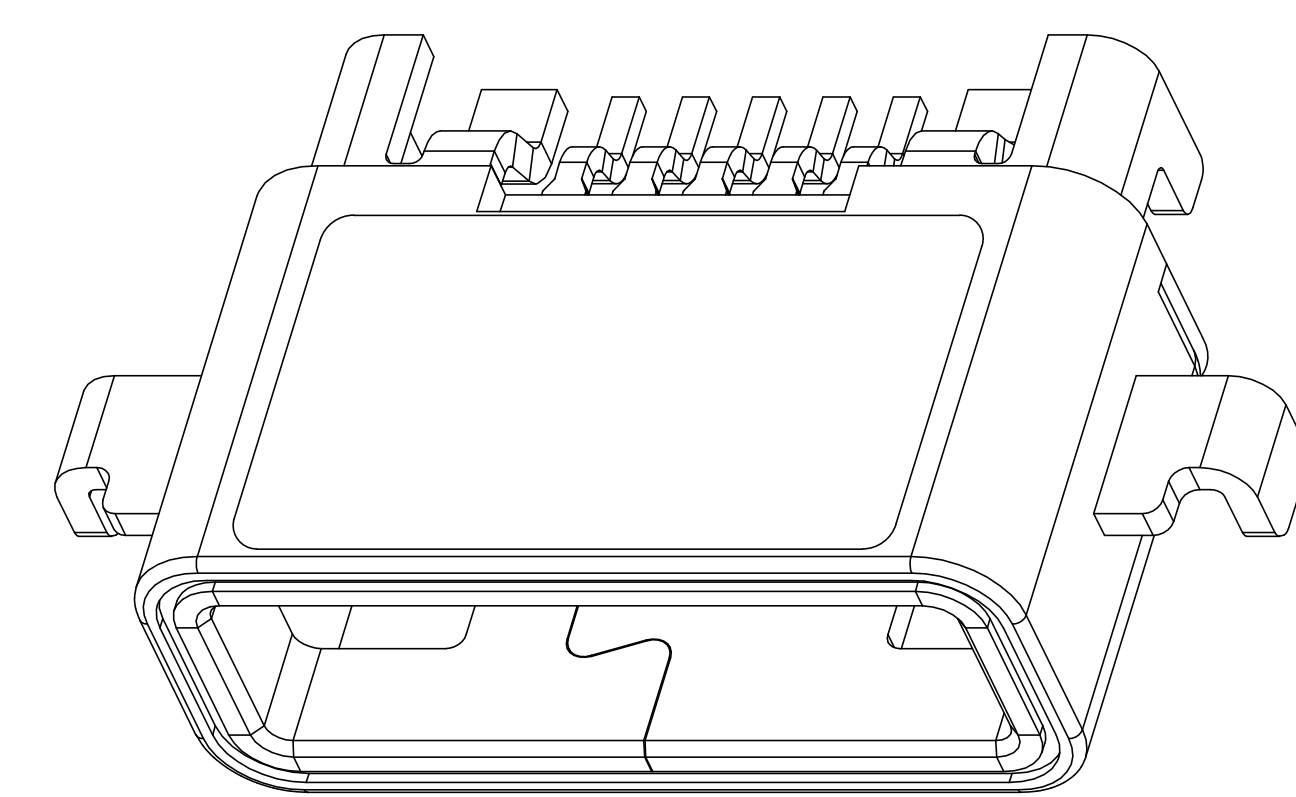
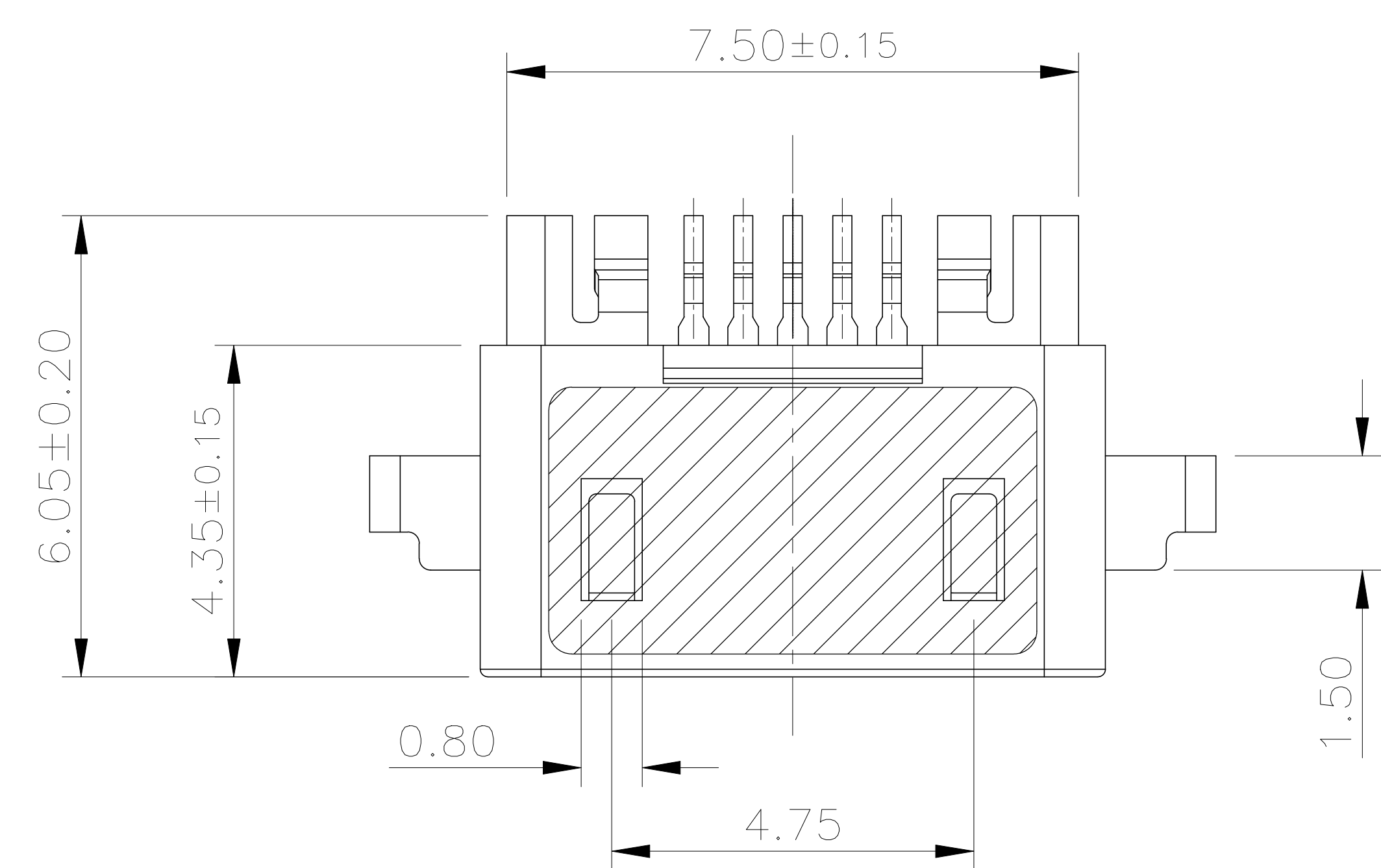
Checked by: _____ Date: _____

Approved by: _____ Date: _____

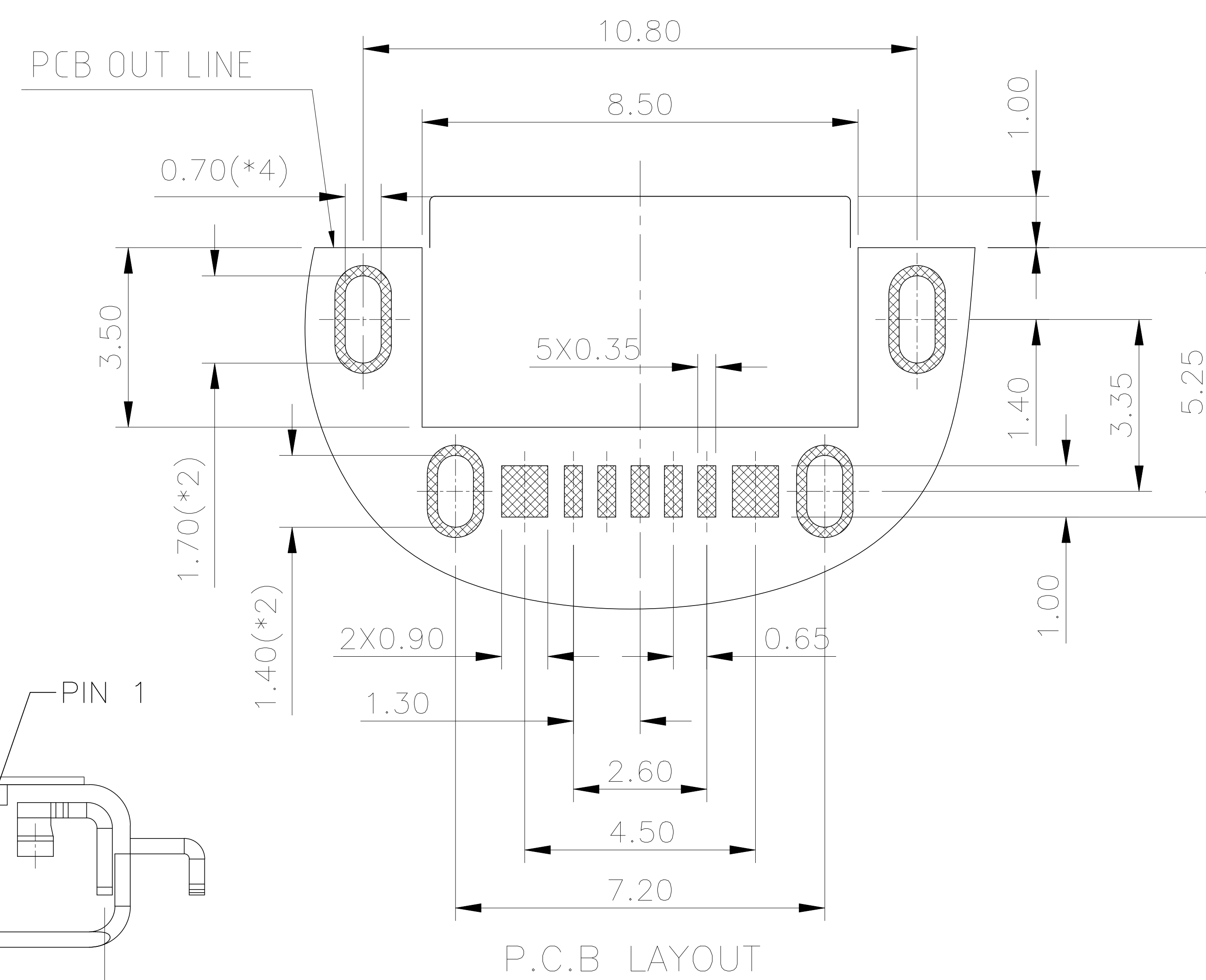
APPROVE	REVIEW	POLT
王凯	林永坚	陈旺

XUNPU ELECTRONICS CO.,LTD

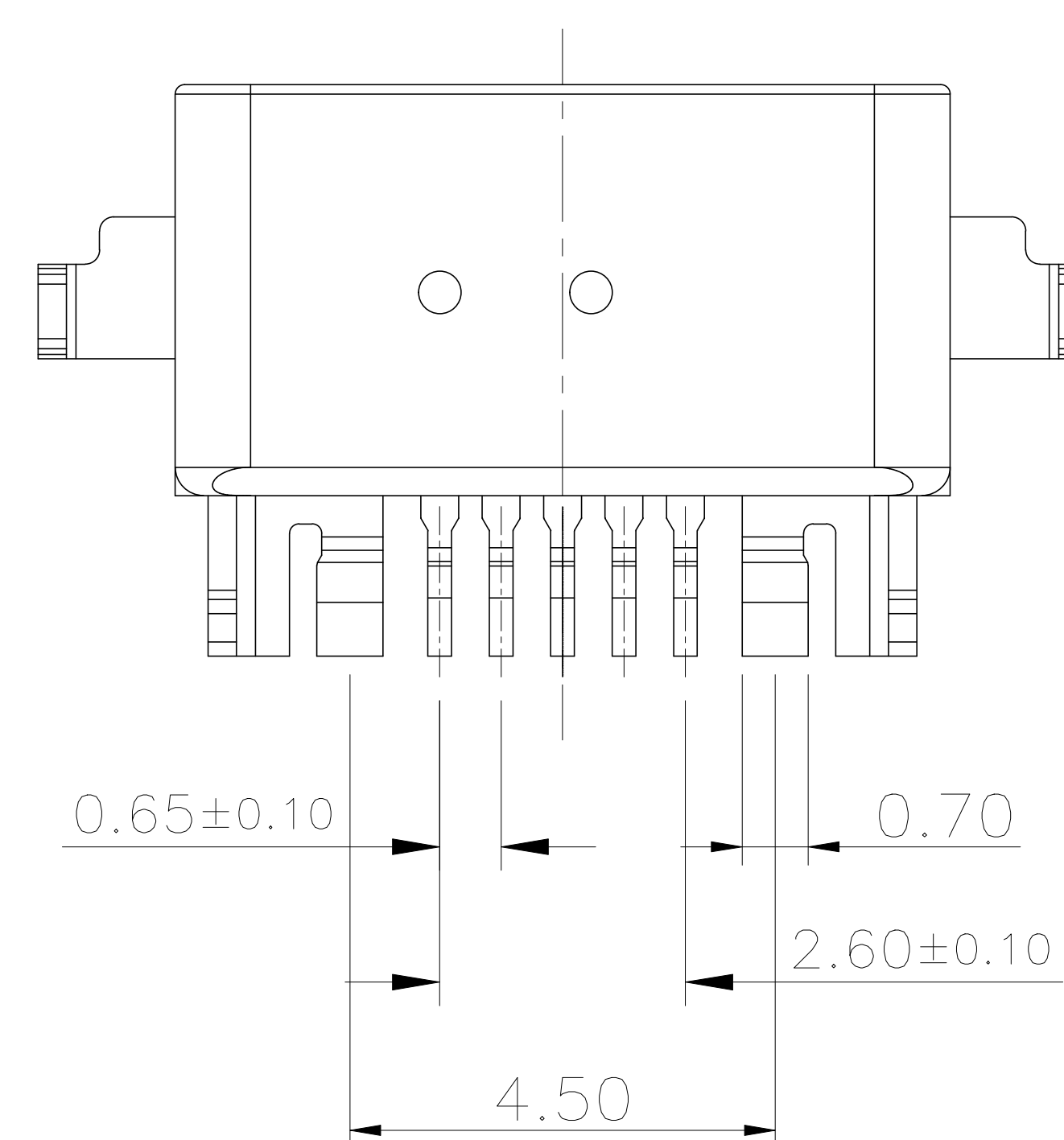
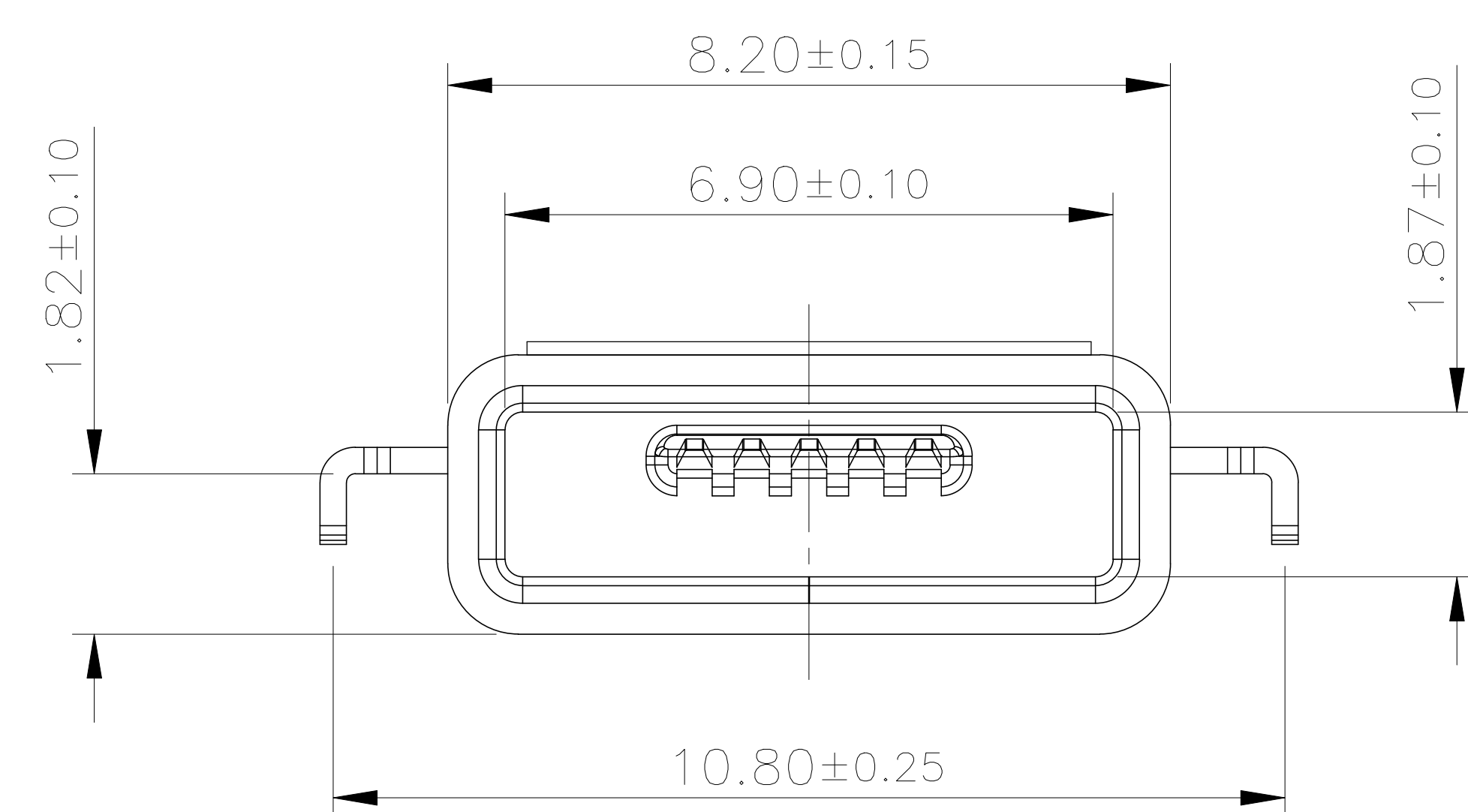
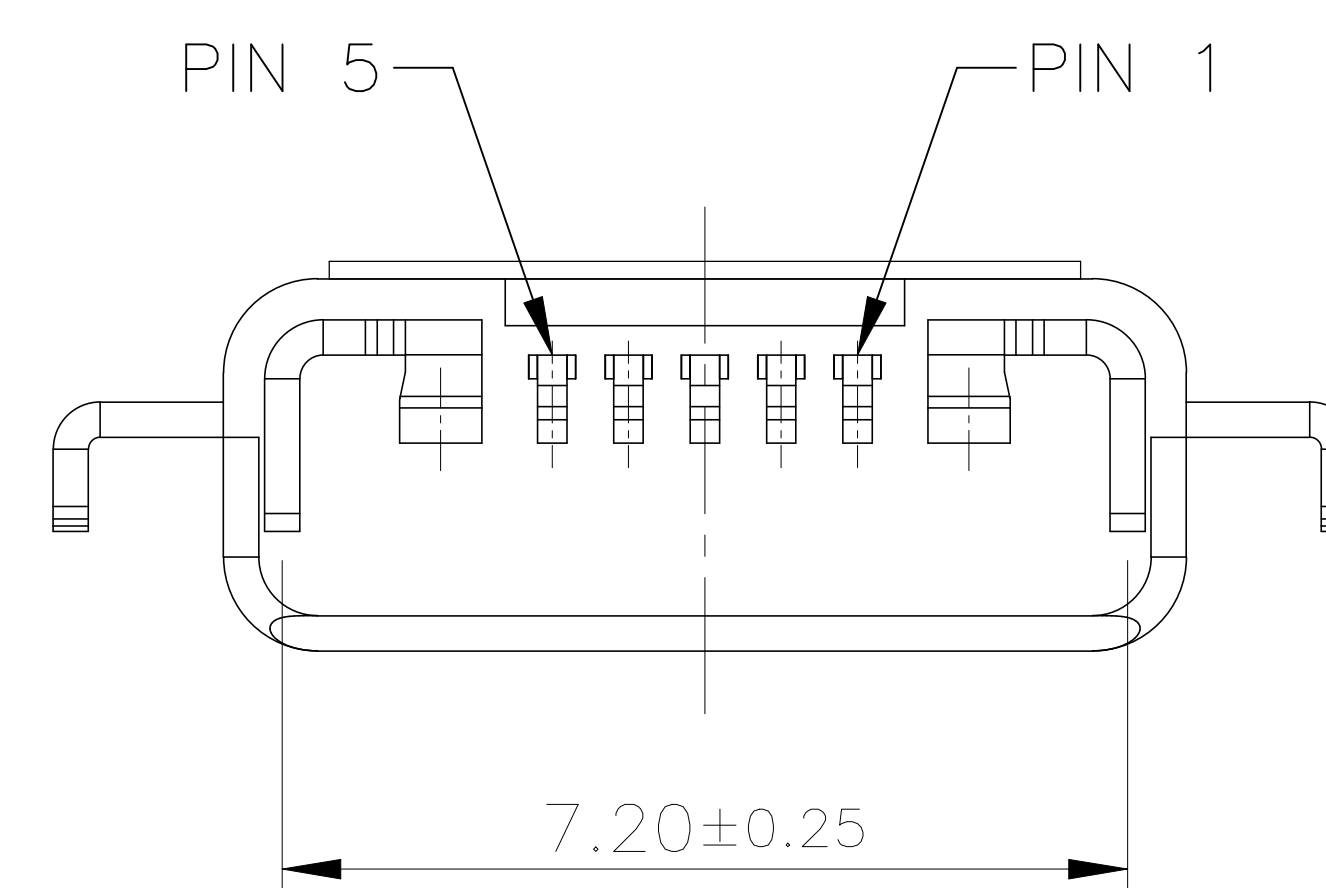
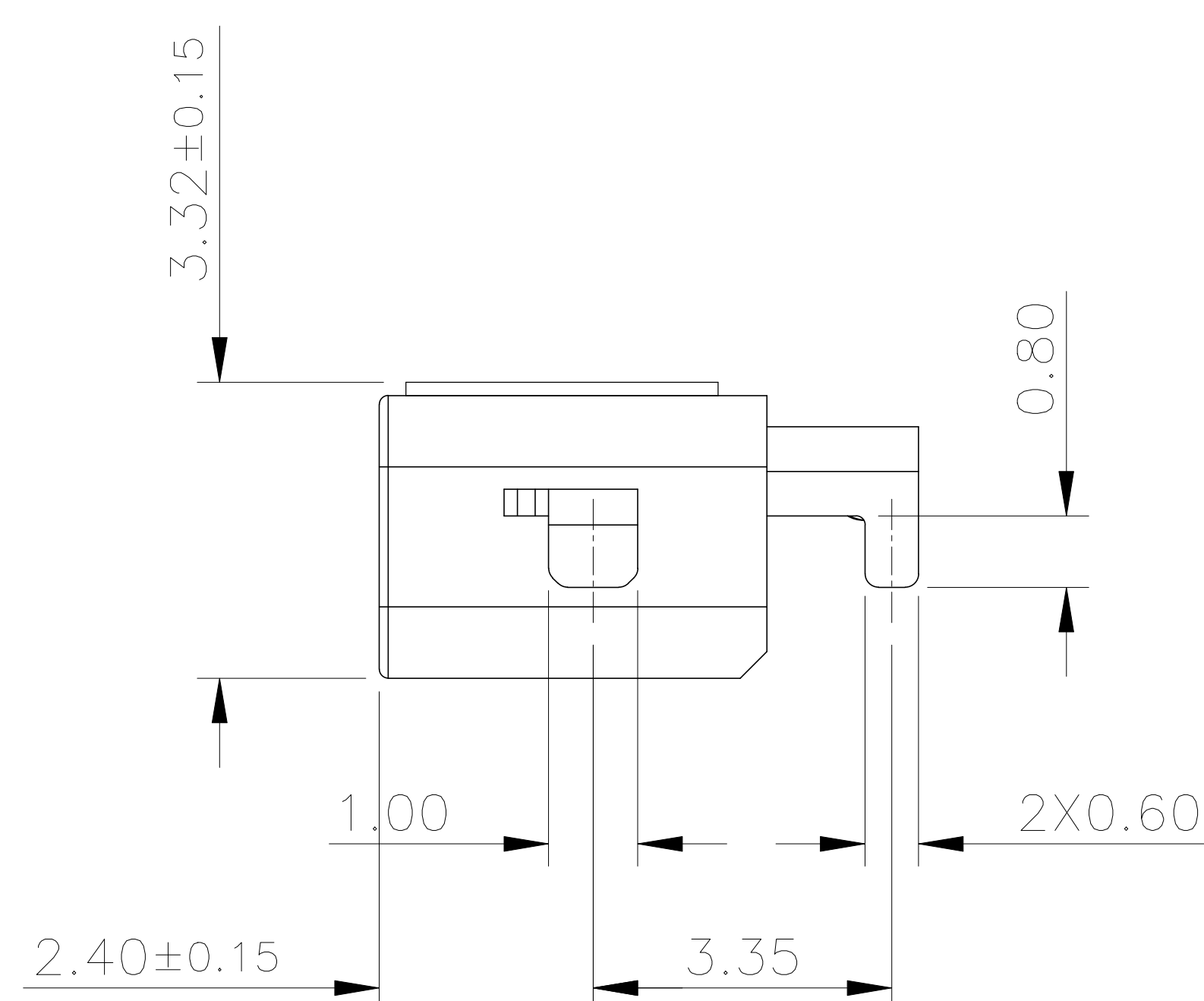
REVISIONS					
REV.	ECN NO.	LOCATION	DESCRIPTION	DATE	DESIGN
A0	NA		INITIAL RELEASE		



3D VIEW



P.C.B LAYOUT



NOTES:

- CONTACT CURRENT RATING:1.0A;
- CONTACT RESISTANCE:30mΩ MAX;
- INSULATION RESISTANCE:100MΩ MIN;
- DIELECTRIC WITHSTANDING:100V AC MIN;
- DURABILITY:5,000CYCLES MIN;
- WATER PROOFNESS:THIS PRODUCT IS BASED ON IPX6;
- CONNECTOR MATING FORCES:25N (2.55Kgf)MAX;
- CONNECTOR UNMATING FORCES:8~25N (0.83~2.55Kgf);

Pin	Signal Name	Remarks
Pin1	VBUS	Power
Pin2	D-	Date-
Pin3	D+	Date+
Pin4	ID	Reserve or Gound
Pin5	GND	Gound

ITEM	PART NAME	Q'TY	MATERIAL
01	HOUSING	1 PCS	LCP (G.F30%) BLACK COLOR
02	CONTACT A	5 PCS	PHOSPHOR BRONZE C5191R AU/NI PLATING T=0.20
03	SHELL	1 PCS	C2680R-H /SUS301 BLACK NICKEL T=0.30

This document is the property of GETWELL development corporation.

東莞市訊普電子科技有限公司

Unless otherwise specified, Tolerance:
 X. ±0.30
 X.x ±0.20
 X.xx ±0.15
 X.xxx ±0.10
 Angles ±3°

DESIGN	DATE
CHECKED	DATE
APPROVED	DATE
PART NO. MU-0111	
DRAWING NO.	

TITLE: MICRO USB 5Pin SMT AB TYPE RECEPTACLE CUSTOMER DRAWING		
REV.: A0	SCALE: 4:1	UNIT: mm
SIZE: A4	SHEET: 1/1	