

APPROVAL SPECIFICATIONS

Title. IPX6 防水MICRO USB插座

Product Model. MU-0112

Customer's Part NO.

Customer's Model:

Customer's Approval Requested.

Please return this copy as a certification of your approval.

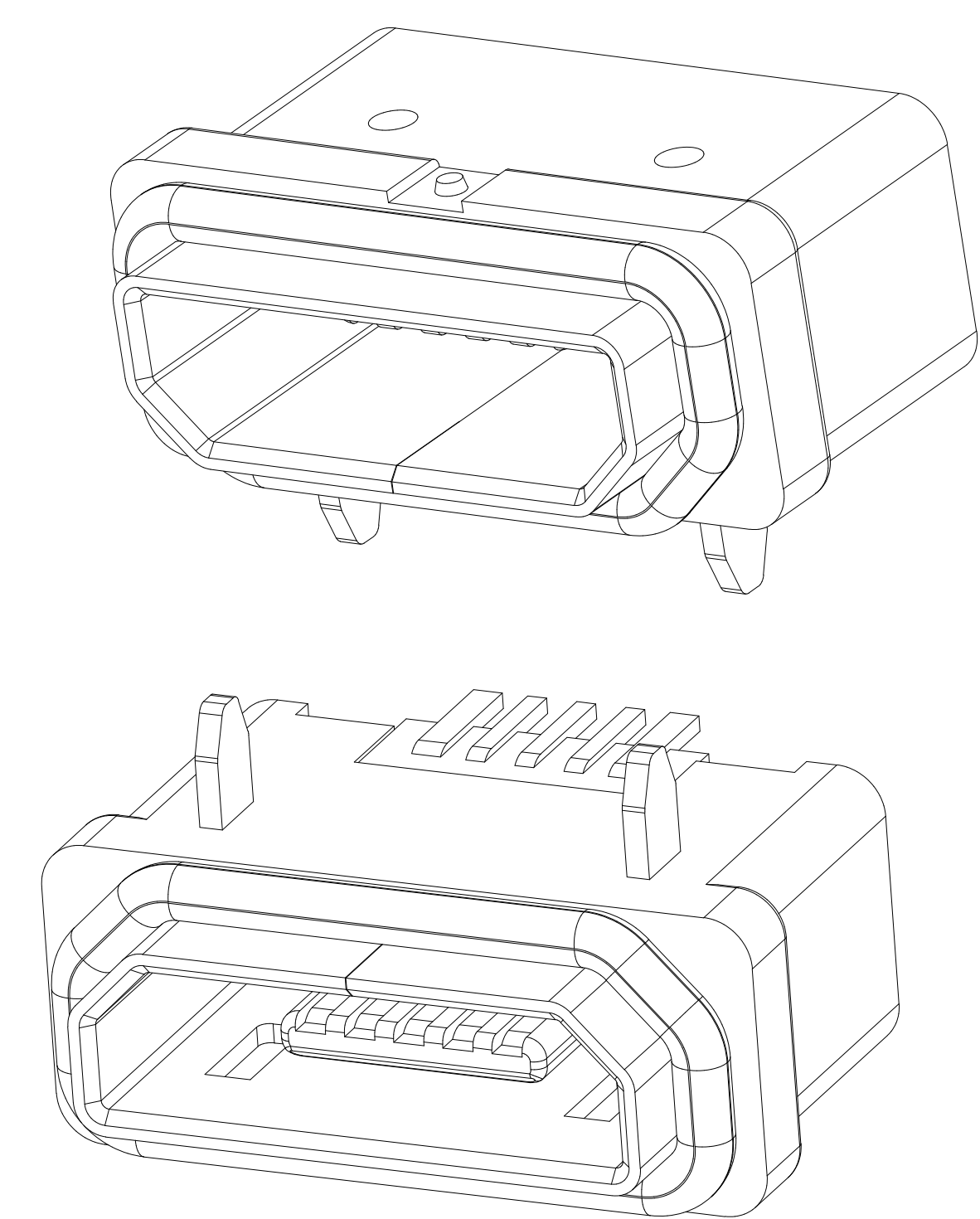
Checked by: _____ Date: _____

Approved by: _____ Date: _____

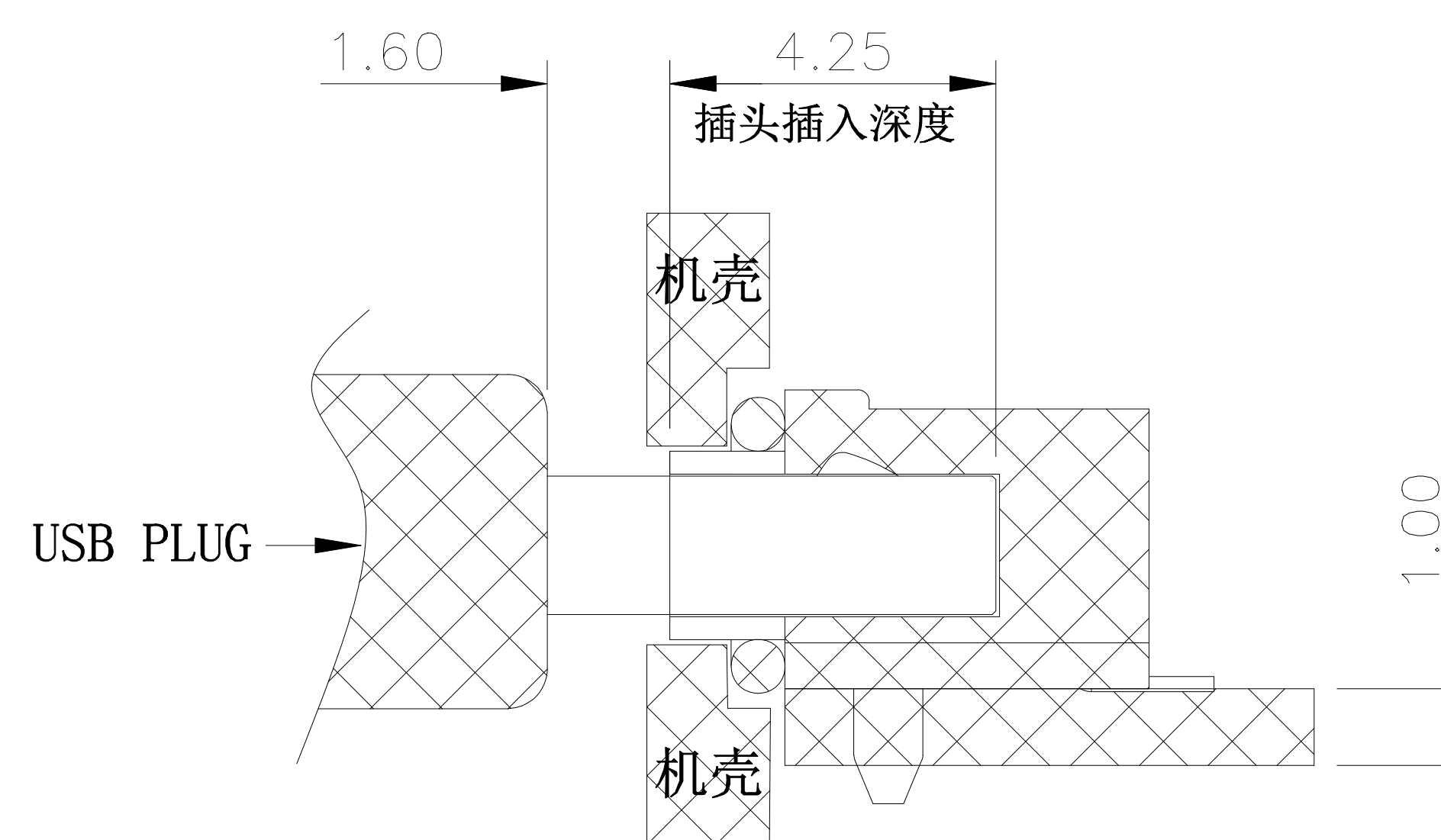
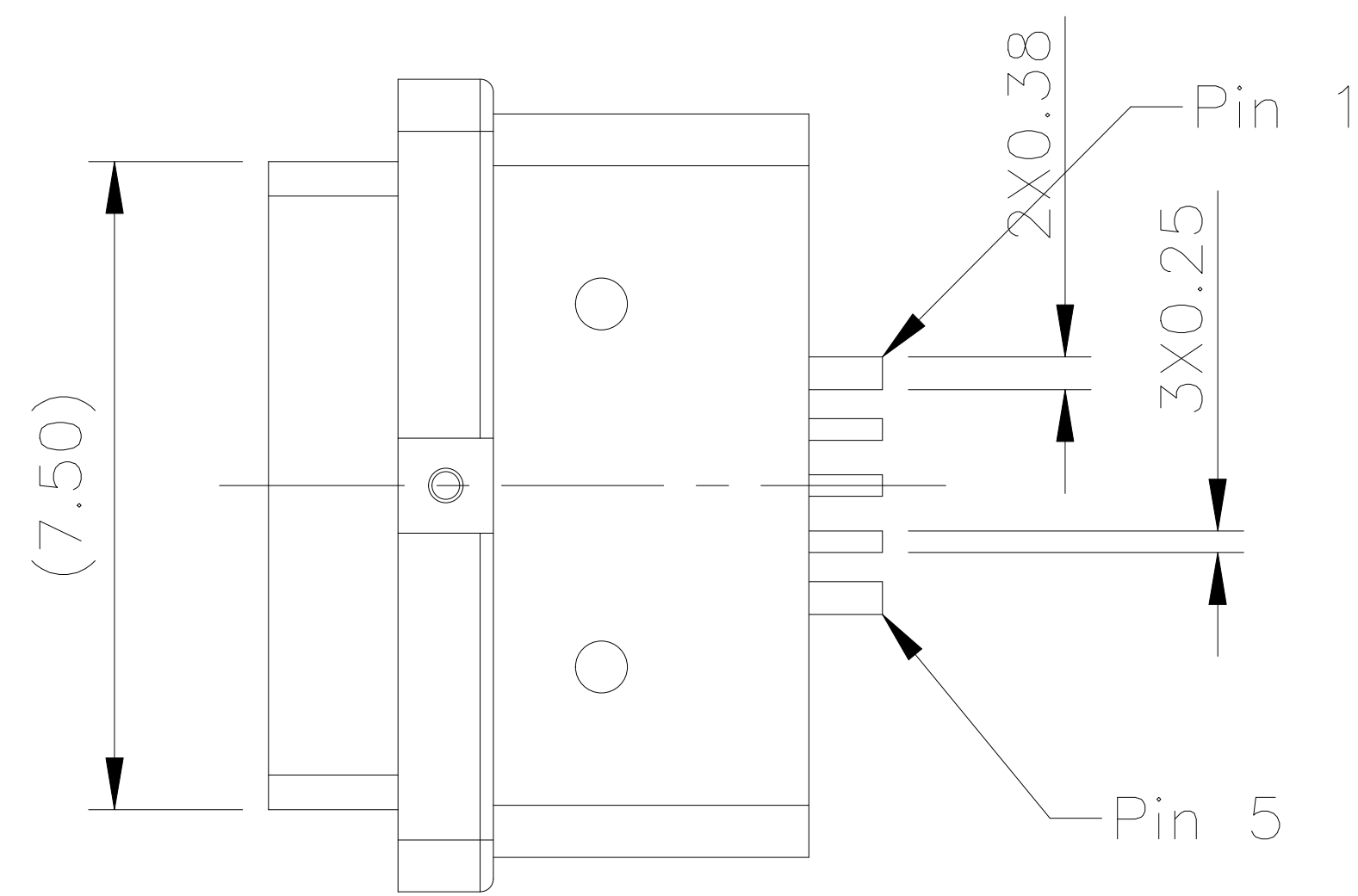
| | | |
|---------|--------|------|
| APPROVE | REVIEW | POLT |
| 王凯 | 林永坚 | 陈旺 |

XUNPU ELECTRONICS CO.,LTD

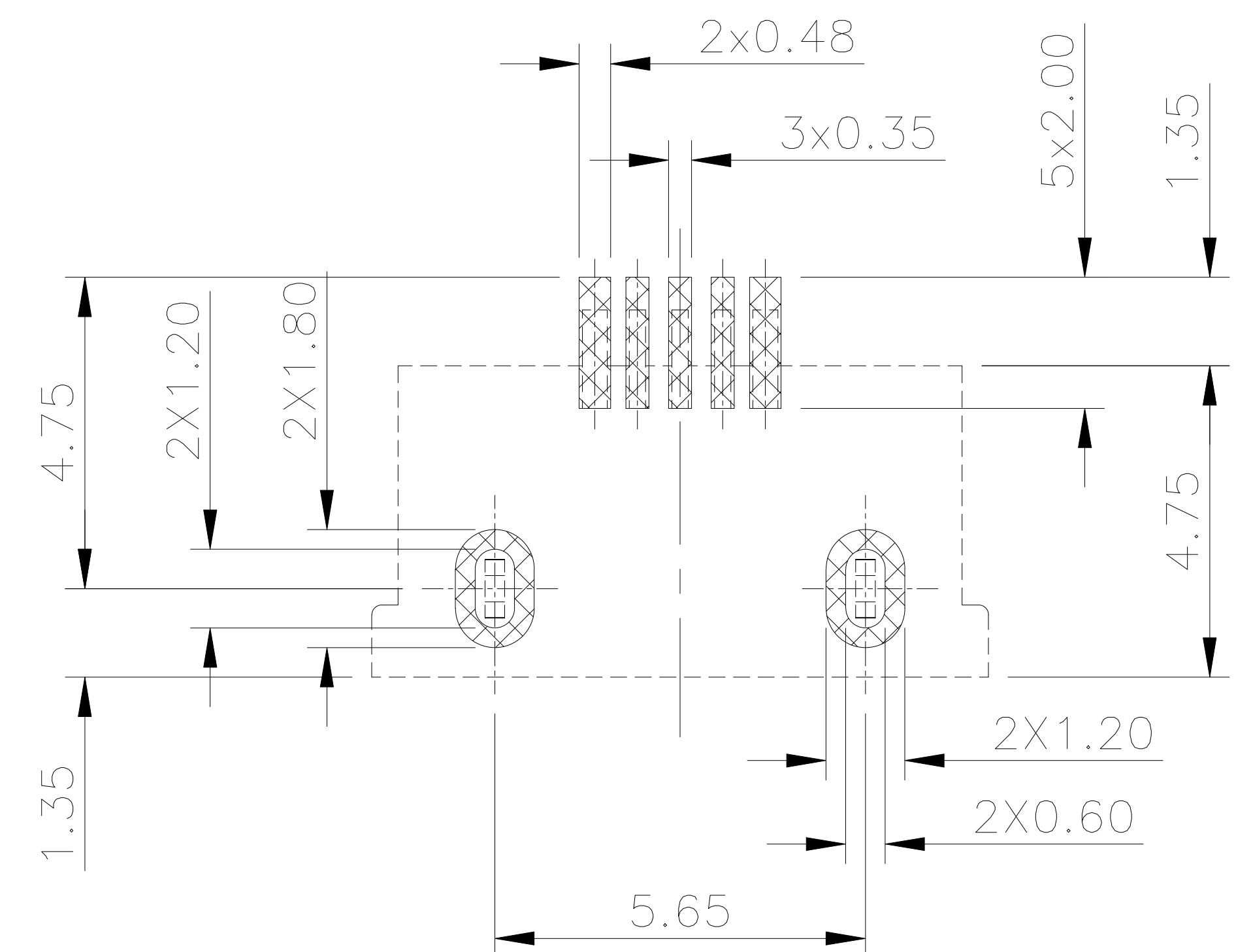
| REVISIONS | | | | | |
|-----------|---------|----------|-----------------|------|--------|
| REV. | ECN NO. | LOCATION | DESCRIPTION | DATE | DESIGN |
| A0 | N/A0 | | INITIAL RELEASE | | |



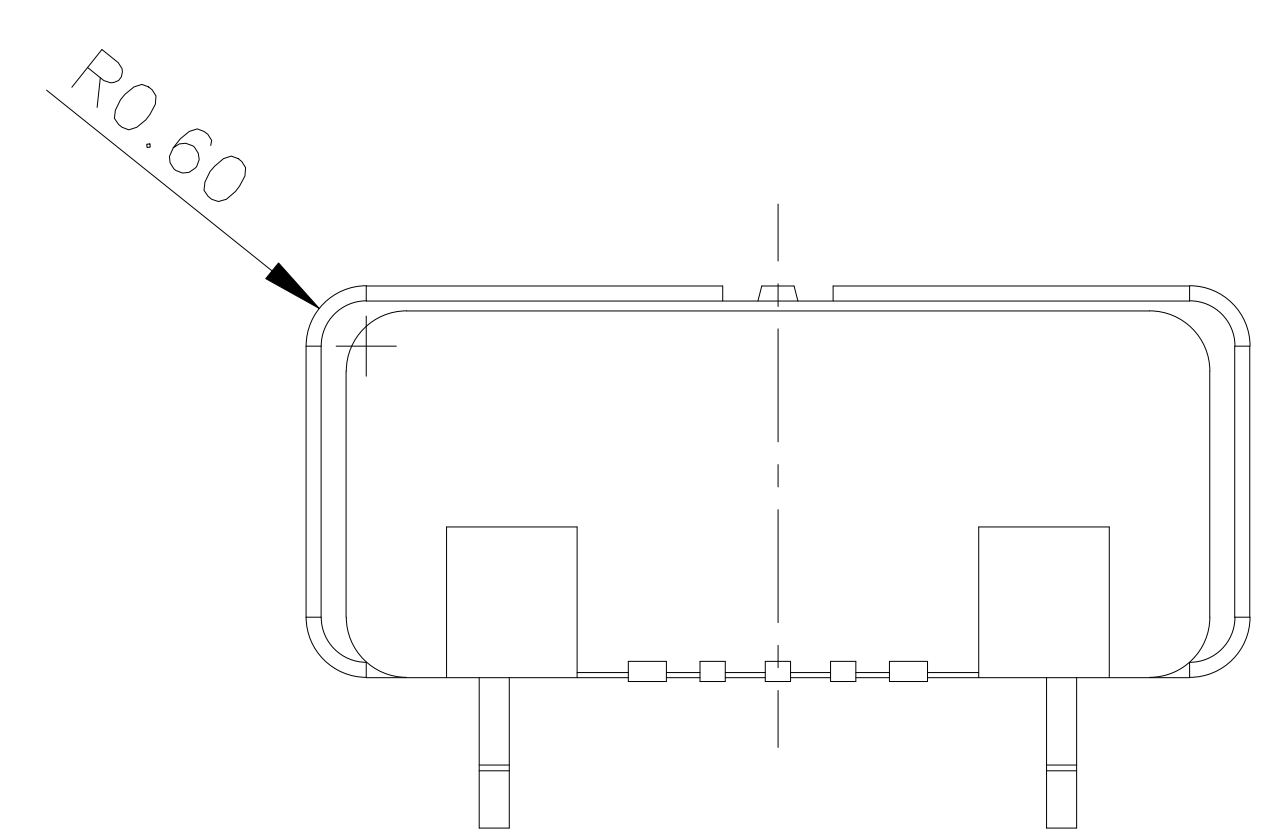
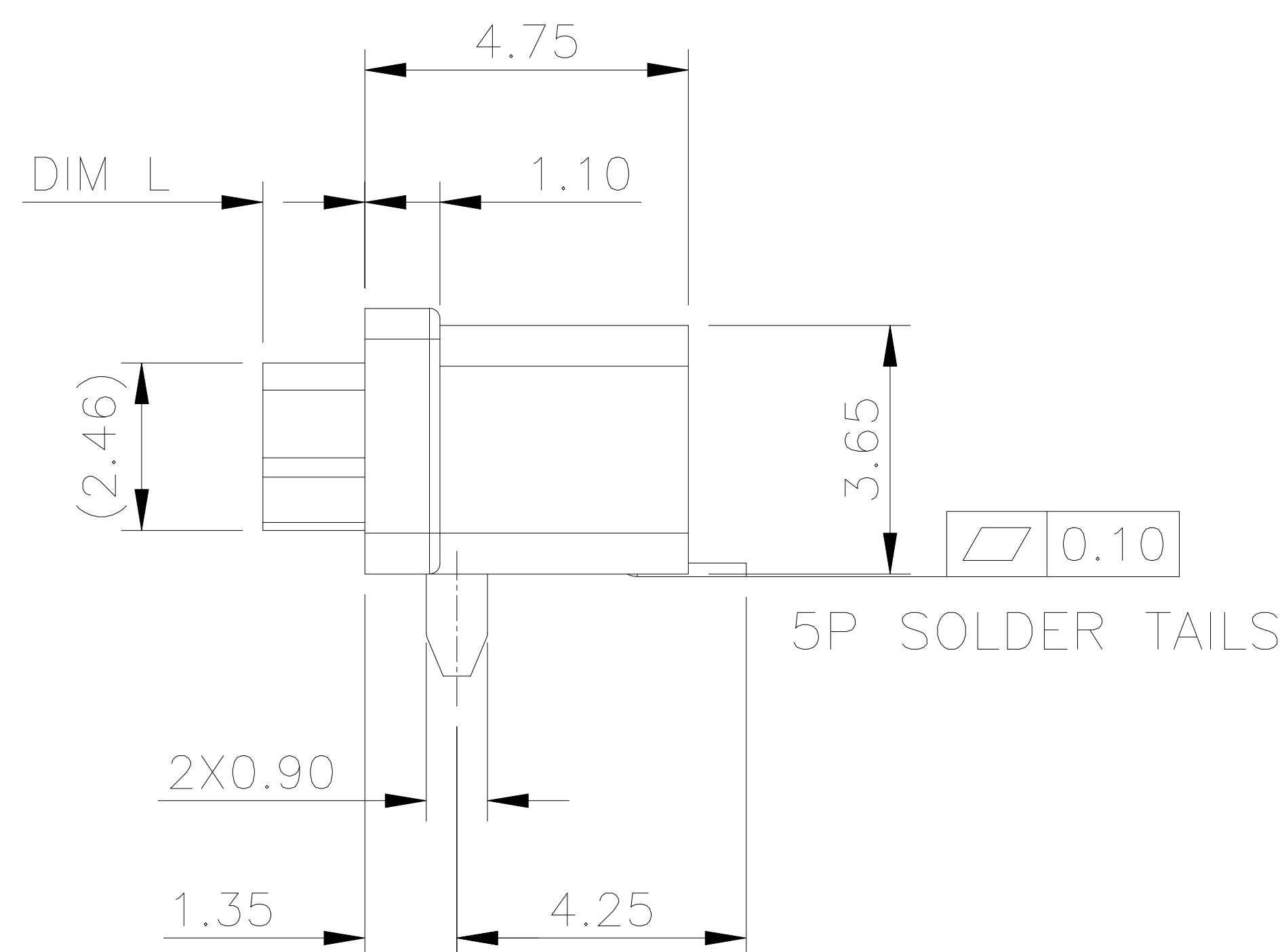
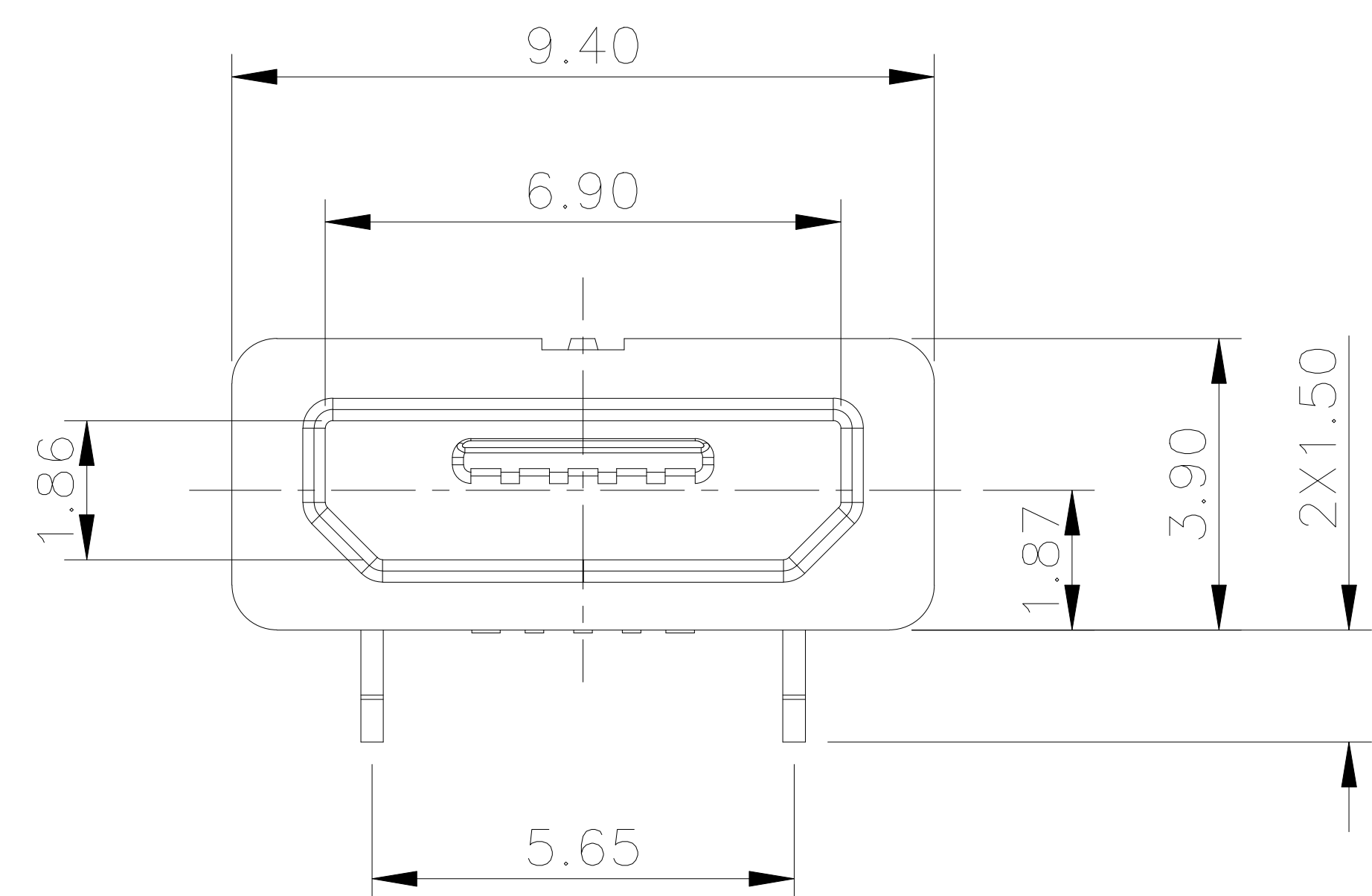
3D VIEW



公头与母座对插示意图



RECCOMENDED PCB LAYOUT
(TOLERANCE: ±0.05)



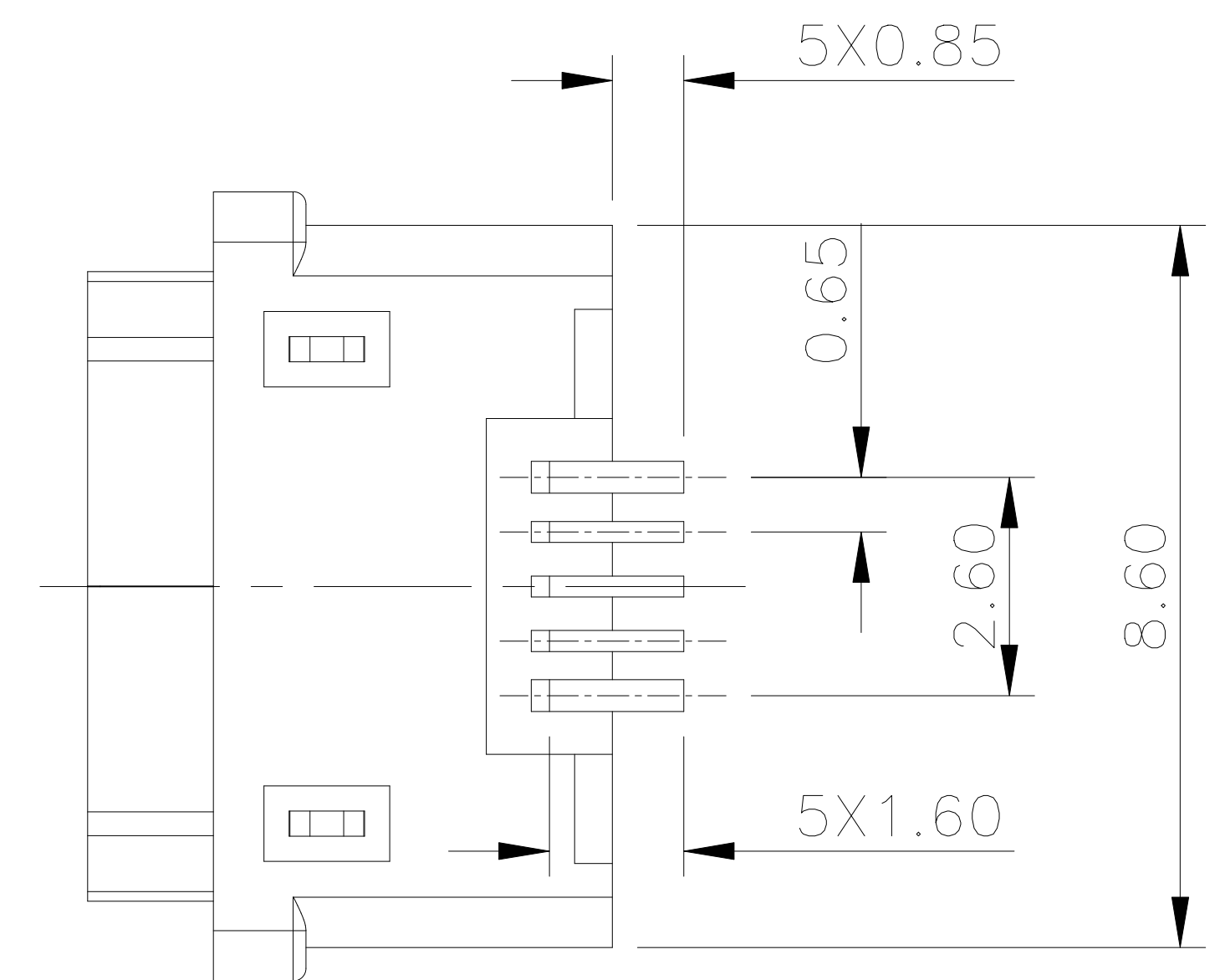
SPECIFICATIONS:

- ELECTRICAL CHARACTERISTICS:
 - RATING:3A(PIN1&5),0.5A(PIN2&3&4);
 - CONTACT RESISTANCE:30mΩ MAX.(INITIAL);
 - DIELECTRIC WITHSTANDING:500V AC MIN;
 - INSULATION RESISTANCE:100MΩ MIN;
- DURABILITY:5,000CYCLES MIN;
- INSERTION FORCE:3.5Kgf(35N)Max;
- EXTRACTION FORCE:0.8Kgf(8N)Min;
- WATER PROOFNESS:THIS PRODUCT IS BASED ON IPX6;

注意事项:母座外壳套上硅胶套以后,硅胶套的直径由自然状态的Ø0.70挤压到Ø0.30-0.40mm时;密封效果最佳,

TABLE A:

| ITEM | PART NUMBER | DIM L |
|------|-------------|-------|
| 01 | MU-0112-S15 | 1.50 |
| 02 | MU-0112-S10 | 1.00 |



| Contact Number | Signal Name | Remarks |
|----------------|-------------|------------------|
| Pin 1 | VBUS | Power |
| Pin 2 | D- | Date- |
| Pin 3 | D+ | Date+ |
| Pin 4 | ID | Reserve or Gound |
| Pin 5 | GND | Gound |

| ITEM | PART NAME | Q'TY | MATERIAL | DESCRIPTION |
|------|-----------|-------|--------------------------|------------------|
| 03 | HOUSING | 1 PCS | HIGH TEMPERATURE PLASTIC | BLACK, UL94V-0 |
| 02 | SHELL | 1 PCS | STAINLESS STEEL, T=0.30 | Ni Plated |
| 01 | CONTACT | 5 PCS | PHOSPHOR BRONZE, T=0.20 | Nickel/Au Plated |

This document is the property of GetWell development corporation.

东莞市讯普电子科技有限公司

| | | | | |
|--|-------------------|------------|--------------------------|----------|
| Unless Otherwise specified, Tolerance: X. ±0.30 X.x ±0.20 X.xx ±0.15 X.xxx ±0.10 ANGLES ±3° | DESIGN: | DATE: | TITLE: | |
| | CHECKED: | DATE: | MIRCO USB 5P DIP+SMT防水母座 | |
| | APPROVED: | DATE: | CUSTOMER DRAWING | |
| | PART NO.: MU-0112 | REV.: A0 | SCALE: 1:1 | UNIT: mm |
| DRAWING NO.: | SIZE: A4 | SHEET: 1/1 | | |