

APPROVAL SPECIFICATIONS

Title. IPX8 24PIN防水TYPE-C插座

Product Model. TYC-341

Customer's Part NO.

Customer's Model:

Customer's Approval Requested.

Please return this copy as a certification of your approval.

Checked by: _____ Date: _____

Approved by: _____ Date: _____

APPROVE	REVIEW	POLT
王凯	林永坚	陈旺

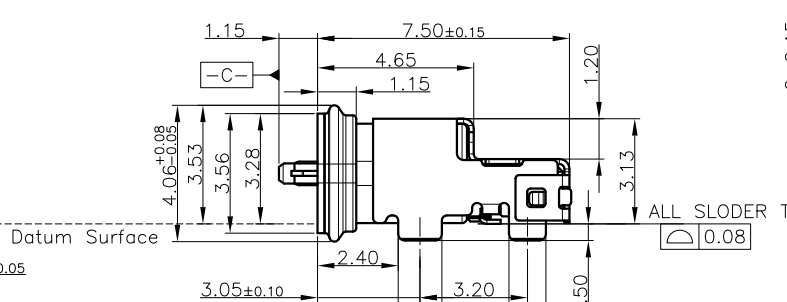
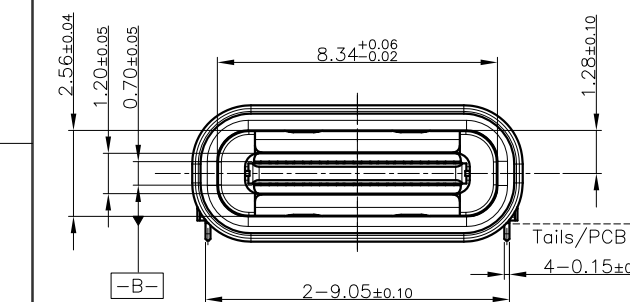
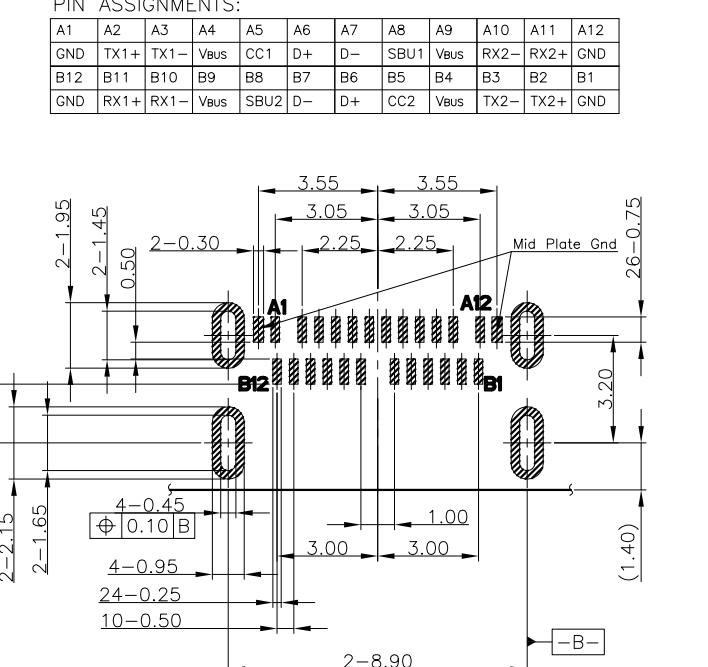
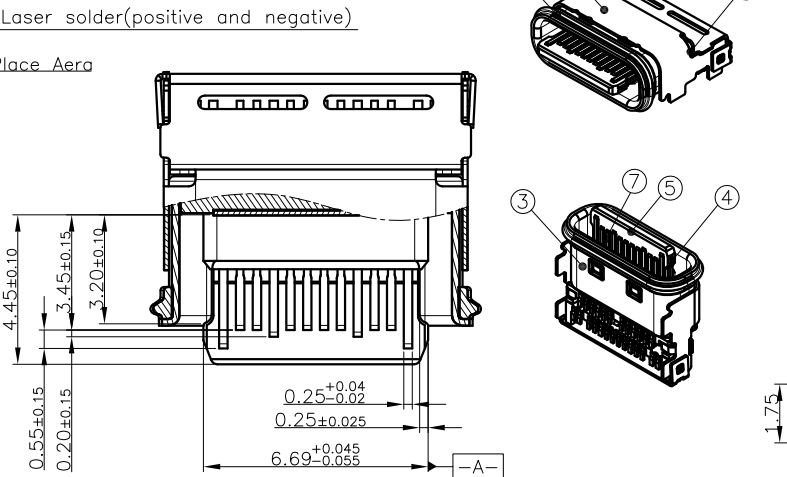
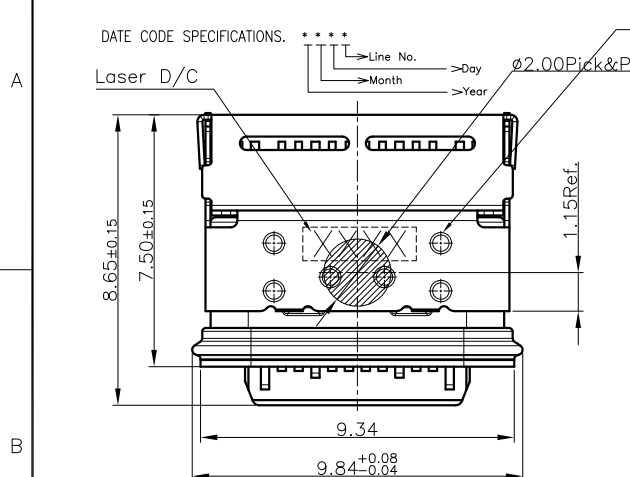
XUNPU ELECTRONICS CO.,LTD



REV.	ECN NO OR DESCRIPTION	REVISED	DATE
A	PROPOSE ONLY	ERIC	2018.08.15

PIN ASSIGNMENTS:

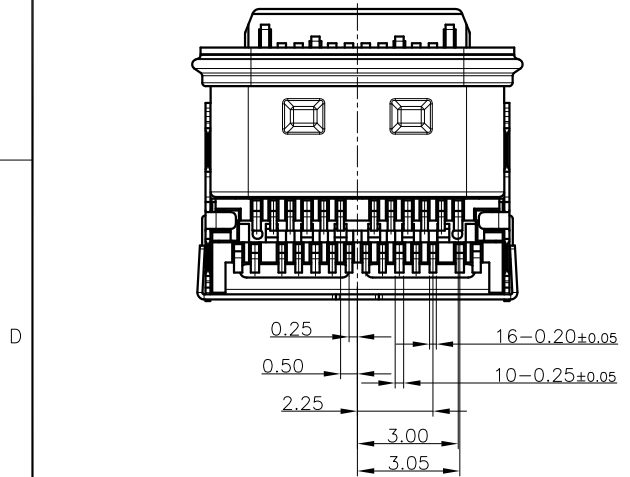
A1	A2	A3	A4	A5	A6	A7	A8	A9	A10	A11	A12
GND	TX1+	TX1-	Vbus	CC1	D+	D-	SBU1	Vbus	RX2-	RX2+	GND
B12	B11	B10	B9	B8	B7	B6	B5	B4	B3	B2	B1
GND	RX1+	RX1-	Vbus	SBU2	D-	D+	CC2	Vbus	TX2-	TX2+	GND



RECOMMENDED P.C.B LAYOUT (COMPONENT SIDE)
 PCB THICKNESS: 0.80±0.05mm
 DEFAULT TOLERANCE: ±0.05mm

SPECIFICATION:
 1.ELECTRICAL CHARACTERISTICS:
 1.1 CURRENT RATING: 5A
 1.2 CONTACT RATED VOLTAGE:30V AC
 1.3 TEMPERATURE RANGE: -40 °C ~ 85 °C
 1.4 CONTACT RESISTANCE: 40 MILLIONHM MAX.
 1.5 DIELECTRIC WITHSTANDING VOLTAGE: 100 VAC r.m.s
 1.6 INSULATION RESISTNACE: 100 MEGOHMS MIN.
 2.MECHANICAL CHARACTERISTICS
 2.1 INSERTION FORCE: 5~20N
 2.2 EXTRACTION FORCE: Initial:8~20N;
 Durability:6~20N(10000cycles);
 2.3 DURABILITY:10,000CYCLES
 3.2. IR REFLOW:
 THE PEAK TEMPERATURE ON THE BOARD SHALL
 BF MAINTAINFD FOR 10 SFCONDS AT 260°C.

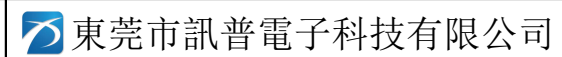
⑧	GLUE	1	SILICONE	Black
⑦	CONTACT	1	Copper alloy	Ni plating on the soldering area Au plating on contact area Au plating on soldering area
⑥	CLAMP	2	SUS	N/A
⑤	I/M HOUSING	1	Thermoplastic	Black
④	PLATE	1	SUS	Ni plating on the soldering area
③	SHELL	1	SUS	N/A
②	O-RING	1	SILICONE	N/A
①	CLIP	1	SUS	Ni plating on the soldering area
Item	PART NAME	QTY	Material	Treatment



UNLESS OTHERWISE SPECIFIED TOLERANCES

DECIMALS: ANGLES:
 X :±0.5 X :±2°
 X.X :±0.30 X.X :±1°
 X.XX :±0.20
 X.XXX :±0.10

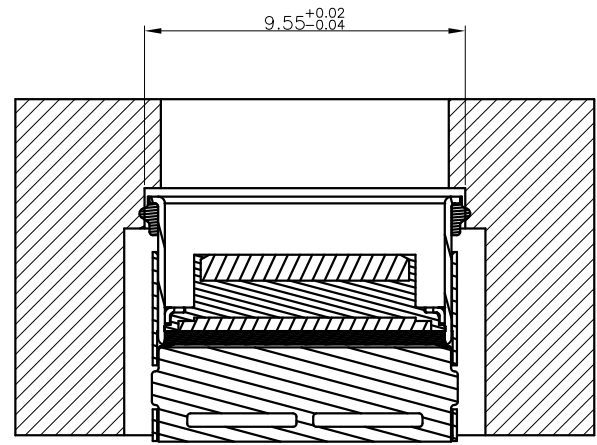
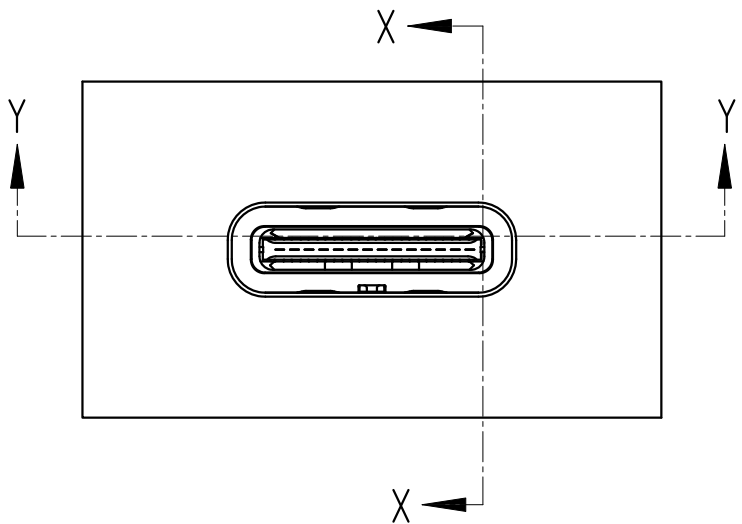
TITLE		Type.C 24PIN DuII SMT CONN. WATERPROOF IPX8	
DWN	chenjun	PART NO.	TYC-341
CHKD	chenjun	SCALE:1:1	UNIT: mm
APVD	Kevin.d	SIZE: A4	SHEET:1OF1
DRAW NO.		CUSTOMER COPY	



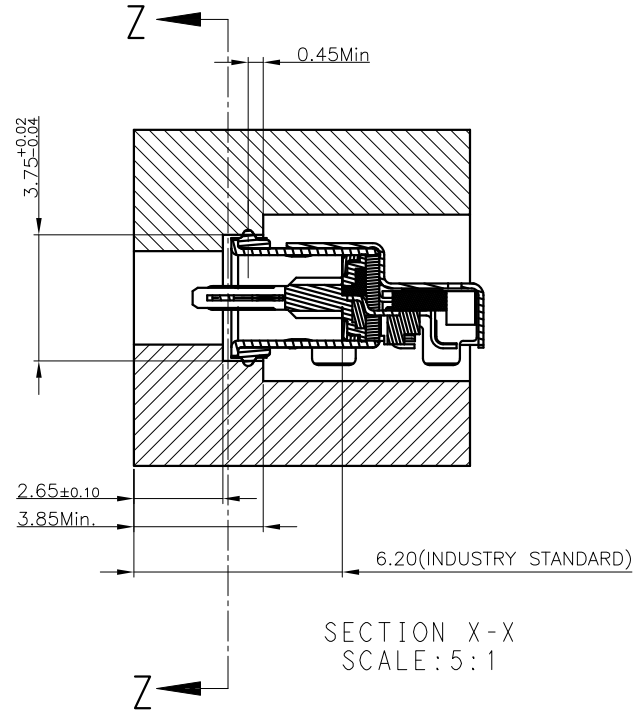


RECOMMENDED OPENING DIMENSIONS
OF CASE MATING AREA WITH
SEALING RING

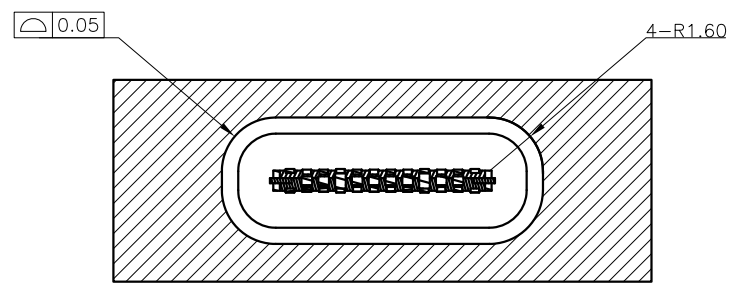
REV.	ECN NO OR DESCRIPTION	REVISED	DATE
A	PROPOSE ONLY	ERIC	2018.08.15



SECTION Y-Y
SCALE: 5:1



SECTION X-X
SCALE: 5:1

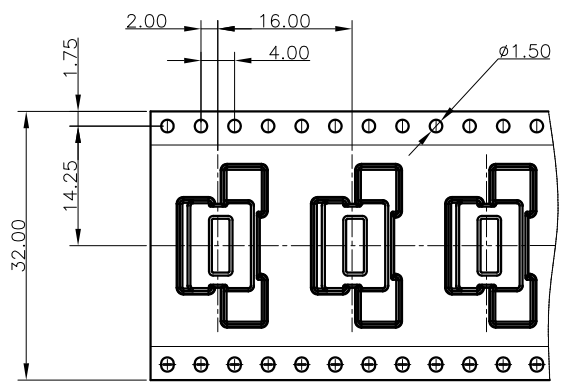
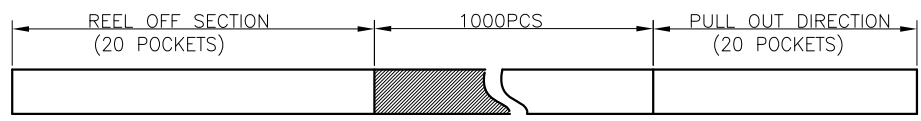


SECTION Z-L
SCALE: 5:1

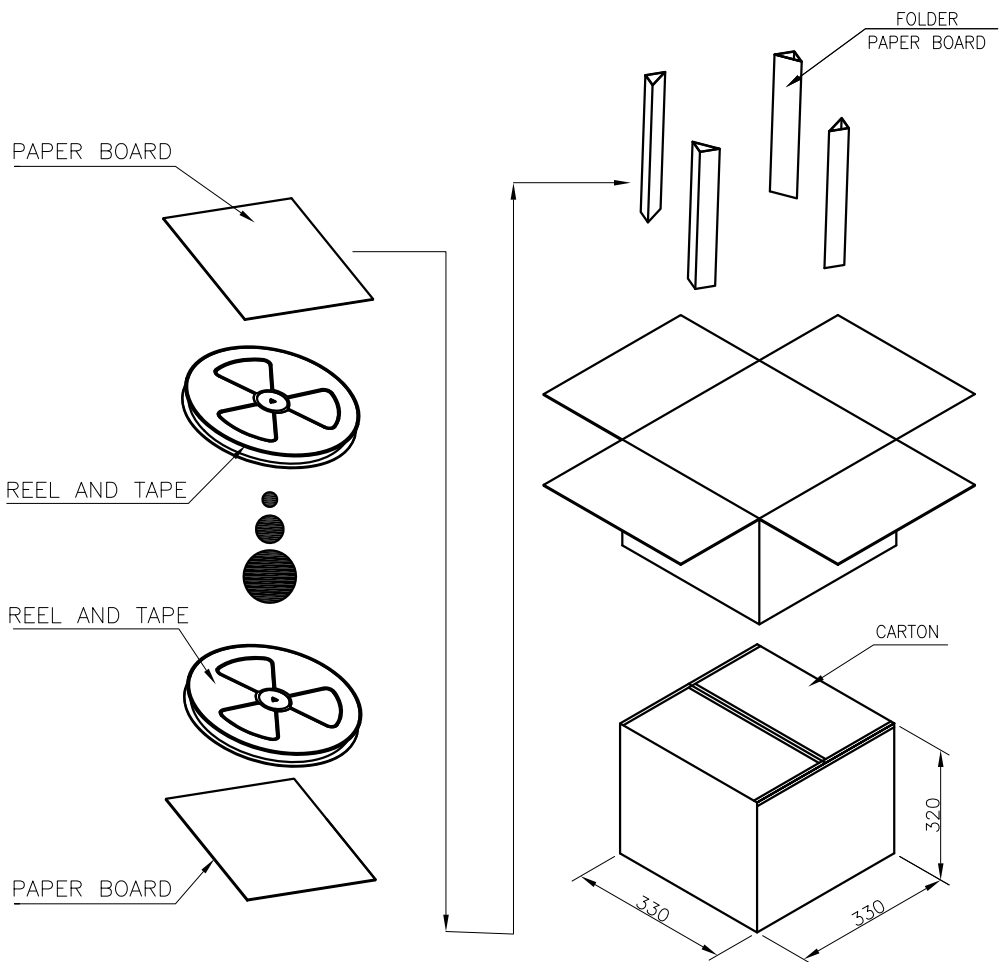
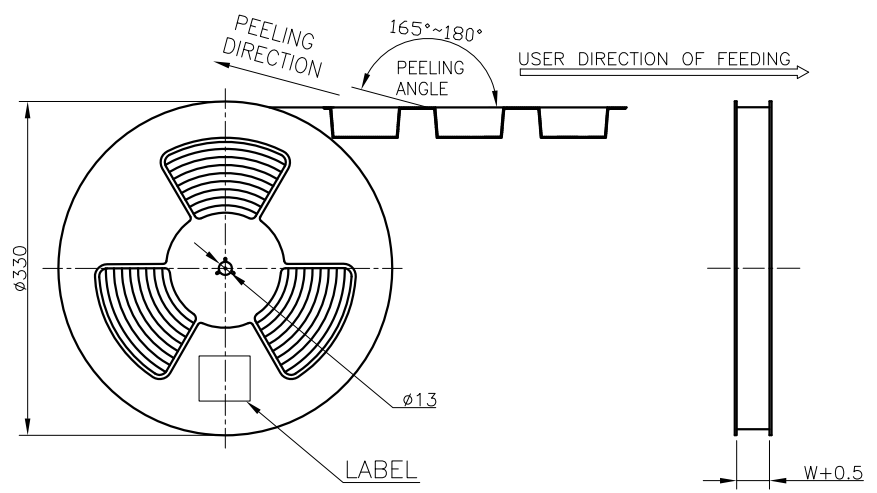
UNLESS OTHERWISE SPECIFIED TOLERANCES		东莞市讯普电子科技有限公司			
DECIMALS:	ANGLES:	TITLE	Type.C 24PIN Dull SMT CONN. WATERPROOF IPX8		
X : ± 0.5	X : $\pm 2^\circ$	DWN	chenjun	PART NO.	TYC-341
X.X : ± 0.30	X.X : $\pm 1^\circ$	CHKD	chenjun	SCALE: 1:1	UNIT: mm
X.XX : ± 0.20		APVD	Kevin.d	SIZE: A4	SHEET: 1 OF 1
X.XXX : ± 0.10		DRAW NO.			REV: A
					CUSTOMER COPY



REV.	ECN NO OR DESCRIPTION	REVISED	DATE
A	PROPOSE ONLY	ERIC	2018.08.15



← PRODUCT PACKAGING DIRECTION
 CUSTOMER TO USE DIRECTION →



CONN. PART NO.	CONN. QTY./REEL	REEL QTY./CARTON	CONN. QTY./CARTON
TYC-341	1000	10	10000 PCS

UNLESS OTHERWISE SPECIFIED TOLERANCES		东莞市讯普电子科技有限公司			
DECIMALS:	ANGLES:	TITLE	Type.C 24PIN Dull SMT CONN. WATERPROOF IPX8		
X :±0.5	X :±2°	DWN	chenjun	PART NO. TYC-341	
X.X :±0.30	X.X :±1°	CHKD	chenjun	SCALE:1:1	UNIT: mm
X.XX :±0.20		APVD	Kevin.d	SIZE: A4	SHEET:1OF1
X.XXX :±0.10		DRAW NO.		REV: A	
				CUSTOMER COPY	