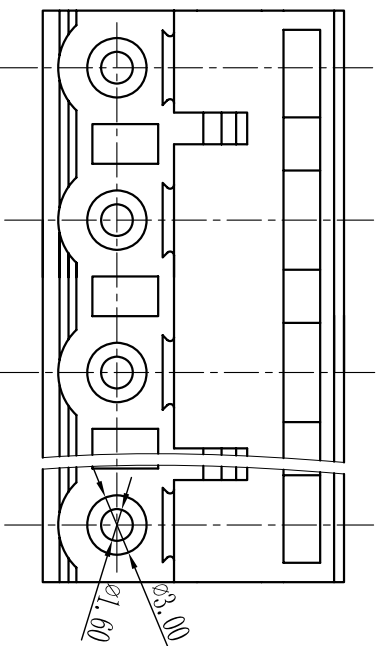
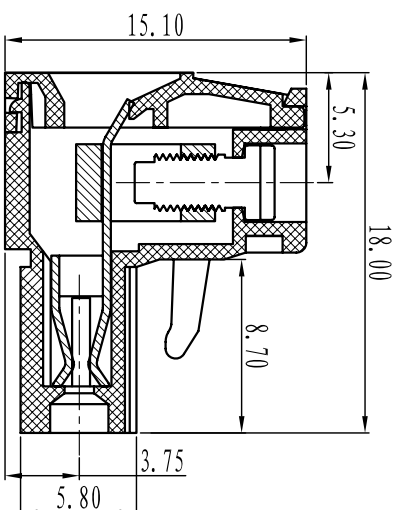
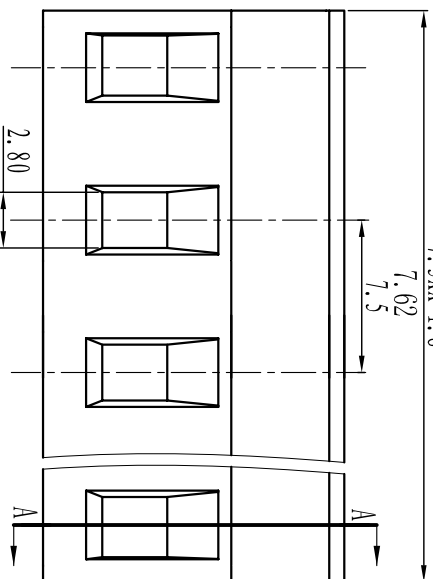




Cixi Dibo Electronics Co.,LTD

产品规格书
product specification

7.62XX-1.8
7.5XX-1.8



电气性能/Electrical

参考标准/Standard: UL IEC

额定电压/Rated voltage: 300V 320V

额定电流/Rated current: 15A 20A

接触电阻/Contact resistance: 20mΩ

使用线径/Wire range: 28-14AWG 2.5mm²

耐电压/Withstanding voltage: AC2000V/1Min

绝缘电阻/Insulation resistance: 500MΩ/DC500V

机械性能/Mechanical

温度范围/Temp Range: -40°C+105°C

扭矩/Torque: 0.5Nm (4.51lb·in)

剥线长度/Strip length: 7-8mm

尺寸/Dimensions

间距/Pitch: 7.5mm, 7.62mm

极数/Poles: 2P-24P

材质及电镀/Material

塑件/Housing: PA66, UL94V-0

螺丝/Screws: M3, 0, steel Zinc plated

方块/Wire guard: Brass, Ni plated

簧片/Clamp: Phosphor bronze, Ni plated

TOLERANCES EXCEPT AS NOTED

	linear dimension	fillet	chamfer	short angle sid				
variable range	over 6 to 30	over 30 to 120	over 120 to 480	all to 6	over 6 to 10	over 10 to 50	over 50 to 120	all to 5
tolerance	±0.1	±0.2	±0.3	±0.5	±0.9	±0.2	±0.5	±1
					1°	30°	20°	10°
					0.5	0.025	0.06	0.12
					0.4			

订购方式 : HOW TO ORDER

- - P - - -

型号/Model: 极数/POLE:

未定义/No definition
 单间距/Single pitch
 双间距/Double pitch

客户需求 Customer Request:

灰色/Grey	10	绿色/Green	40	透明/Transparent	70
蓝色/Blue	20	棕色/Orange	50	黄色/Yellow	80
黑色/Black	30	红色/Red	80	白色/White	90

单位/UNITS mm 尺寸/SIZE A4 比例/SCALE 比例

第一视角/FIRST ANGLE PROJECTION



Cixi Dibo Electronics Co.,LTD

名称/NAME DB2EK-7.5/7.62