

1 2 3 4 5 6 7 8

A

A

B

B

C

C

D

D

E

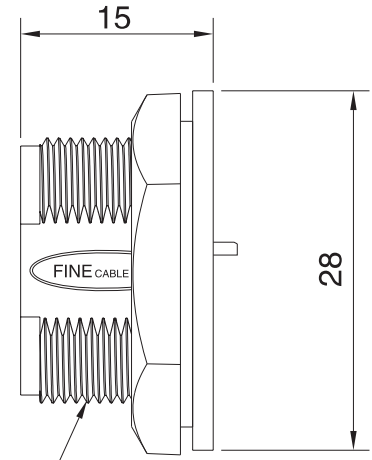
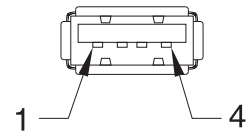
E

F

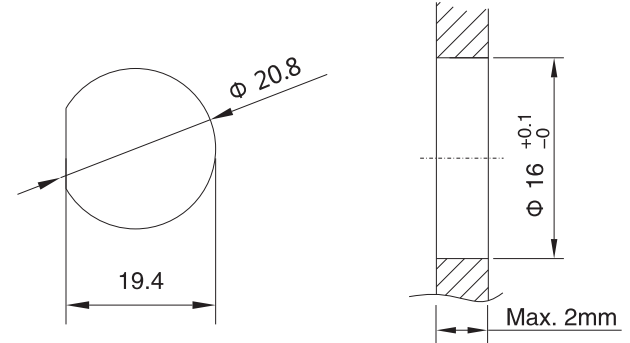
F



Panel thickness Max2.0mm



钻孔尺寸:



For and on behalf of  
**XKB INDUSTRIAL PRECISION CO., LIMITED**  
 香港星坤工業精密有限公司

MARK	DESCRIPTION	DATE	REVISED	APPROVED	UNSPECIFIED TOLERANCES
△ X					ANGULAR ±5°
△ X					L ≤ 4 ±0.2
△ X					4 < L ≤ 16 ±0.3
					16 < L ≤ 63 ±0.4
					L > 63 ±0.5

DSND		DATE		SCALE: N/A	MODEL TYPE: USB 2.0
DWN		DATE		VIEW:	PART NO.: USB 2.0 WF04S
CHKD		DATE		UNIT: mm	DWG NO.:
APPD		DATE		SIZE: A4	

REVISIONS  
 Authorized Signature(s)

<b>XKB INDUSTRIAL PRECISION CO., LIMITED</b>			WEIGHT 1.0g	SHEET 1/1	REVISION A0
--	--	--	-------------	-----------	-------------

1 2 3 4 5 6 7 8