

(RoHS)

# 产 品 规 格 书

## SPECIFICATION FOR APPROVAL

客户名称:  
Customer Name: \_\_\_\_\_

产品名称:  
Product Name: 石英晶体谐振器

产品型号:  
Product Type: HC-49S

标称频率:  
Nominal Freq: 10.000000MHz

产品编号:  
Part Coding: 5S0-1000A2020-00

规格书编号:  
Specification P/N: XTY0292-5019

客户料号:  
Customer P/N: C389704

日期:  
Date: 2019-06-12

客户承认  
Approved By Customer:

签章  
Signature:

日期  
Date:



**深圳市新天源电子有限公司**

SHENZHEN XINTIANYUAN ELECTRONICS CO., LTD.

地 址: 深圳市宝安区石岩镇塘头宏发工业园1栋5楼

Add: 5/f.,Block 1,Hongfa Industrial Estate,Tangtou village,Shiyan Town,Baoan district,Shenzhen,Guangdong,China.

电话Tel: 0755-27650903 传真Fax: 0755-29833253

联系人: 王后勤(小姐) 手机: 13728612903

E-mail: [xyt@chinaxyt.cn](mailto:xyt@chinaxyt.cn) 网 址: [//www.chinaxyt.cn](http://www.chinaxyt.cn)

批准  
Accepted

审核  
Checked

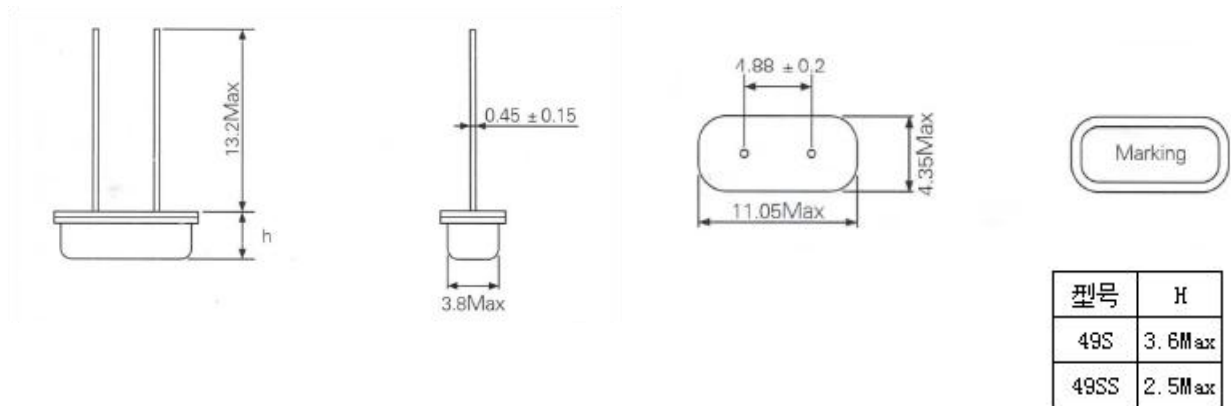
编制 陈梅东  
Issued



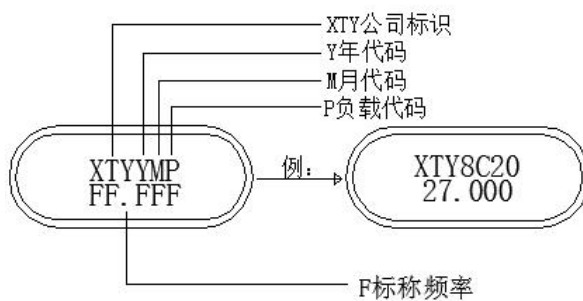
|  |   |                         |
|--|---|-------------------------|
| <p>深圳市新天源电子有限公司<br/>Shenzhen Xintianyuan<br/>Electronics Co., Ltd.</p> | <p>石英晶体谐振器规格书<br/>Specification of Quartz Crystal</p> | <p>NO: XTY0292-5019</p> |
| <p>HC-49S</p>  |   | <p>Date: 2019/06/12</p> |
| <p>一、石英晶体规格参数<br/>Quartz Crystal Specification Parameters</p>          |   |                         |
| <p>1、产品型号<br/>Holder Type</p>  | <p>HC-49S</p>   |                         |
| <p>2、标称频率<br/>Nominal Frequency</p>                                    | <p>10.000000MHz</p>                                   |                         |
| <p>3、振动模式：<br/>Mode of Oscillation</p>                                 | <p>Fundamental</p>                                    |                         |
| <p>4、调整频差<br/>Frequency Tolerance at 25°C ± 2°C</p>                    | <p>± 20ppm at 25°C ± 2°C</p>                          |                         |
| <p>5、等效电阻<br/>Equivalent Resistance (ESR)</p>                          | <p>≤ 40 Ω</p>   |                         |
| <p>6、负载电容<br/>Load Capacitance (CL)</p>                                | <p>20pF</p>   |                         |
| <p>7、温度频差<br/>Temperature Characteristics</p>                          | <p>± 20ppm</p>  |                         |
| <p>8、工作温度范围<br/>Operating Temperature range</p>                        | <p>-20~+70°C</p>                                      |                         |
| <p>9、储存温度范围<br/>Storage Temperature range</p>                          | <p>-40~+85°C</p>                                      |                         |
| <p>10、激励功率<br/>Drive Level</p>   | <p>100uW</p>  |                         |
| <p>11、静态电容<br/>Shunt Capacitance (C0)</p>                              | <p>&lt; 4.0pF</p>                                     |                         |
| <p>12、绝缘电阻<br/>Insulation Resistance</p>                               | <p>≥ 500MΩ (DC100V ± 15V)</p>                         |                         |
| <p>13、测试仪器<br/>Measure Instrument</p>                                  | <p>KH1240</p>   |                         |
| <p>14、年老化率<br/>Aging Rate a Year</p>                                   | <p>≤ ± 3ppm/年</p>                                     |                         |

|   |   |                  |
|---|---|------------------|
| 深圳市新天源电子有限公司<br>Shenzhen Xintianyuan<br>Electronics Co., Ltd. | 石英晶体谐振器规格书<br>Specification of Quartz Crystal | NO: XTY0292-5019 |
|   | HC-49S  | Date: 2019/06/12 |

## 二、石英晶体尺寸、结构 Quartz Crystal Dimensions And Structure



## 三、石英晶体印字 Quartz Crystal Marking



### 印字: Marking

XTY: 新天源

Y为年 (year): 8:2018; 9:2019...

M为月 (Month): A:1; B:2...

P为负载 CL:20: 20pF

FF.FFF为频率Frequency: 27.000

例8C20: 8为2018年, C为3月, 20为20pF;

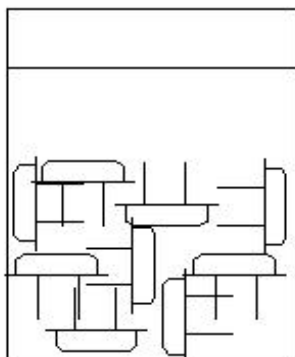
年、月、负载代码:

|    |      |      |      |      |      |      |      |      |      |      |      |        |
|----|------|------|------|------|------|------|------|------|------|------|------|--------|
| 年  | 2015 | 2016 | 2017 | 2018 | 2019 | 2020 | 2021 | 2022 | 2023 | 2024 | 2025 | 2026   |
| 代码 | 5    | 6    | 7    | 8    | 9    | 0    | 1    | 2    | 3    | 4    | 5    | 6      |
| 月  | 1    | 2    | 3    | 4    | 5    | 6    | 7    | 8    | 9    | 10   | 11   | 12     |
| 代码 | A    | B    | C    | D    | E    | F    | G    | H    | I    | J    | K    | L      |
| 负载 | 9pF  | 10pF | 11pF | 12pF | 13pF | 14pF | 15pF | 16pF | 17pF | 18pF | 19pF | SERIES |
| 代码 | 9    | 10   | 11   | 12   | 13   | 14   | 15   | 16   | 17   | 18   | 19   | S      |

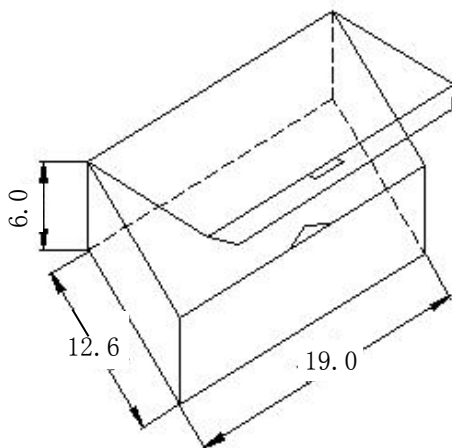
|  |   |                  |
|--|---|------------------|
| 深圳市新天源电子有限公司<br>Shenzhen Xintianyuan<br>Electronics Co.,Ltd. | 石英晶体谐振器规格书<br>Specification of Quartz Crystal | NO: XTY0292-5019 |
|  | HC-49S  | Date: 2019/06/12 |

四、包装  
Package

200只/1包  
200pcs/Bag



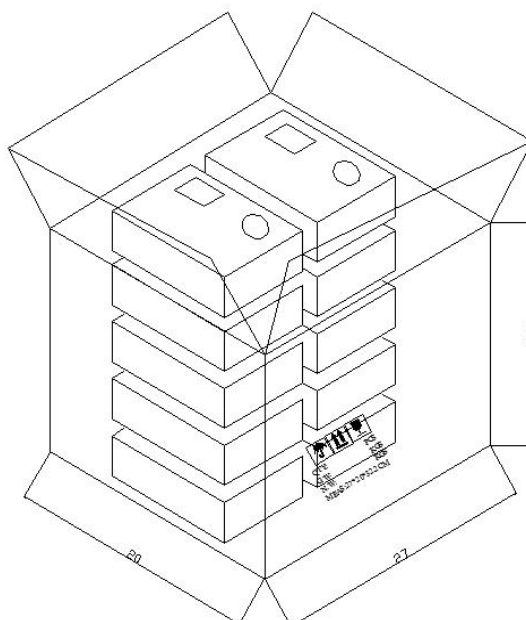
10包=1盒  
10Bag=1Box  
Units: cm



| 合格证  |      |
|------|------|
| 频率:  | 型号:  |
| 负载:  | 电阻:  |
| 频差:  | 数量:  |
| 日期:  | 供应商: |
| 批号:  | 编号:  |
| 订单号: | 料号:  |

包装箱  
Shipping Carton

27\*20\*32.2 (10 Box)  
27\*20\*20 (6 Box)  
Units: cm



|   |   |                  |
|---|---|------------------|
| 深圳市新天源电子有限公司<br>Shenzhen Xintianyuan<br>Electronics Co., Ltd. | 石英晶体谐振器规格书<br>Specification of Quartz Crystal | NO: XTY0292-5019 |
|   | HC-49S  | Date: 2019/06/12 |

**五、石英晶体可靠性**  
**Reliability Test**

| NO. | 测试项目<br>Test Item                         | 可靠性条件<br>Testing Condition  | 判定标准<br>Determinant Criteria   |
|-----|---|---|--|
| 1.  | 跌落<br>Dropping Test                       | 从75cm高度跌落到30mm厚硬木板上, 跌落三次 Drop the resonators from 75cm height to 30mm thick hardwood board, 3times.  | $\Delta FL \leq \pm 5\text{ppm}$<br>$\Delta RS \leq \pm 10\%$ or $5\Omega$<br>(whichever is larger)                  |
| 2.  | 振动<br>Vibration                           | 频率 Frequency:10~60Hz; 幅度 Amplitude:0.75mm; 周期 Cycle time:10-55-10Hz: 1min; 振动方向 Direction:X, Y, Z; 振动时间 Duration: 每个方向2小时 2 h/direction.  | $\Delta FL \leq \pm 5\text{ppm}$<br>$\Delta RS \leq \pm 10\%$ or $5\Omega$<br>(whichever is larger)                  |
| 3.  | 高温<br>Heat Resistance                     | 温度Temperature: $125^{\circ}\text{C} \pm 10^{\circ}\text{C}$<br>时间Time: $720 \pm 24$ Hours   | $\Delta FL \leq \pm 5\text{ppm}$<br>$\Delta RS \leq \pm 10\%$ or $5\Omega$<br>(whichever is larger)                  |
| 4.  | 低温<br>Cold Resistance                     | 温度Temperature: $-40^{\circ}\text{C} \pm 10^{\circ}\text{C}$<br>时间Time: $720 \pm 24$ Hours   | $\Delta FL \leq \pm 5\text{ppm}$<br>$\Delta RS \leq \pm 10\%$ or $5\Omega$<br>(whichever is larger)                  |
| 5.  | 回流焊 (2次)<br>Reflow (2times)               | <p>回流焊Reflow <math>260^{\circ}\text{C} \pm 5^{\circ}\text{C} \leq 10\text{s}</math></p>   | $\Delta FL \leq \pm 5\text{ppm}$<br>$\Delta RS \leq \pm 10\%$ or $5\Omega$<br>(whichever is larger)                  |
| 6.  | 耐焊接热<br>Resistance To Soldering Heat      | 焊接温度Soldering Heat: $320^{\circ}\text{C} \pm 10^{\circ}\text{C}$<br>测试时间Test Time: $3.5\text{s} \pm 0.5\text{s}$ ;  | $\Delta FL \leq \pm 5\text{ppm}$<br>$\Delta RS \leq \pm 10\%$ or $5\Omega$<br>(whichever is larger)                  |
| 7.  | 气密性<br>Leakage                            | 用氦质谱仪进行检测, 试验气体: He; 真空度: $1 \times 10^{-3}\text{Pa}$ ; Helium mass-mass-spectrometer detector, and vacuum and reach $1 \times 10^{-3}\text{Pa}$ ;  | $\leq 1 \times 10^{-8}\text{atm} \cdot \text{cc/S}$  |
| 8.  | 高温高湿<br>Constant Temperature and Humidity | 在温度 $60^{\circ}\text{C} \pm 5^{\circ}\text{C}$ , 湿度90%~99%, 储存720小时, 取出2小时后测试; Stored at $60^{\circ}\text{C} \pm 5^{\circ}\text{C}$ , Humidity 90%~99% For a period of minimum 720hours. Then $25^{\circ}\text{C} \pm 3^{\circ}\text{C}$ and 2 hours before testing | $\Delta FL \leq \pm 5\text{ppm}$<br>$\Delta RS \leq \pm 10\%$ or $5\Omega$<br>(whichever is larger)<br>Appearance OK |
| 9.  | 温度冲击<br>Temperature Shock                 | 低温Low $-40^{\circ}\text{C} \pm 2^{\circ}\text{C}$ (120min) $\leftrightarrow$ 高温High $85^{\circ}\text{C} \pm 2^{\circ}\text{C}$ (120min); 循环10次; For 10 cycles   | $\Delta FL \leq \pm 5\text{ppm}$<br>$\Delta RS \leq \pm 10\%$ or $5\Omega$<br>(whichever is larger)                  |