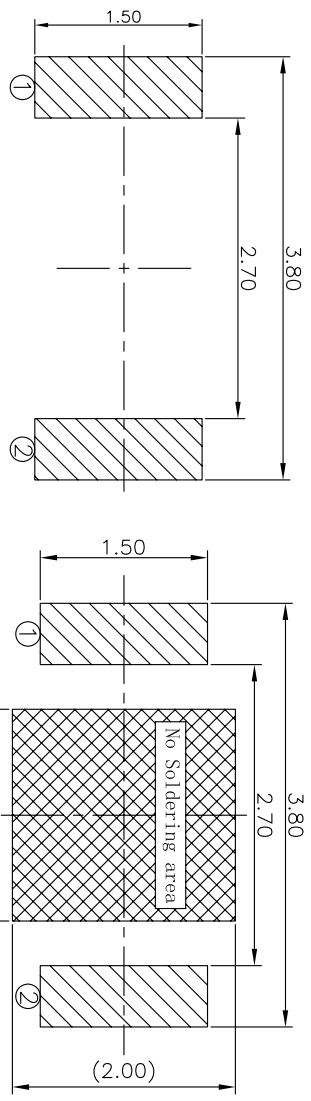
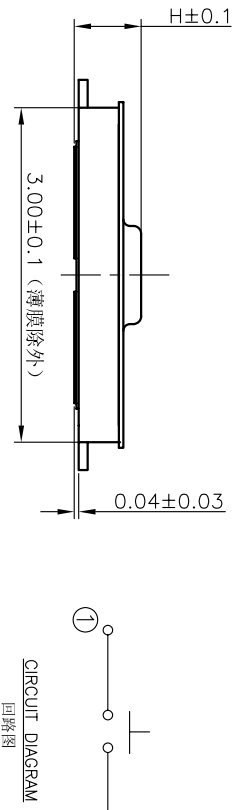


规格 Specifications

额定负荷 Rating	DC 12V/50mA
接触电阻 Contact Resistance	500mΩ max.
绝缘电阻 Insulation resistance	DC100V 60S 100MΩ min.
抗电强度 Dielectric strength	AC250V(50~60HZ) 60S min.
操作力 Operation force	≤180±30gf ≥240±50gf
寿命试验 Operating Life	300,000 cycles
行程 Travels	0.13±0.05mm



RECOMMENDED P.C.B. LAYOUT
安装尺寸图

LAND PATTERN PLAN
印刷电路板焊盘参考图

PRODUCT NO. : 1TS015A*****

轻触开关

3X2系列

外形:

A=两脚

B=两脚无按柄

触点颜色:

底座颜色:

贴膜颜色:

操作力度:

初始颜色

则不启用

材料:

0=双弹片

3=三弹片

依次增加

其它:

CT=编带(非编带,不启用)

产品高度(H):

050=0.5mm

060=0.6mm

070=0.7mm

手感:

0=常规(弹片)

1=大手感(弹片)

2=小手感(弹片)

3=特殊手感(弹片)

ITEM	PART NAME	QUANTITY	MATERIAL	FINISH
5	KNOB	1	POLYAMIDE	BLACK
4	FILM	1	POLYAMIDE	WHITE
3	DOME	2	SUS301	Ag-PLATED
2	HOUSING	1	POLYAMIDE	BLACK
1	TERMINAL	1	PHOSPHOR BRONZE	Ag-PLATED

X. ± 0.2	X' ± 0.2'	UNITS	NAME(INTENDED USE)	HON YUAN
.X ± 0.1	X' ± 0.1'	MAT'L	3X2 SERIES	HON YUAN PRECISION IND. CO.,LTD.
.XX ± 0.01	.XX' ± 0.01'	FINISH	TACT SWITCHES	SHEZHEN, CHINA.
.XXX ± 0.002	.XXX' ± 0.002'		PART NO.(INTENDED USE)	PRODUCT DRAWING
			1TS015A*****	
			APPD: ZO 9/28/2018	DWG NO.: 1TS015A
			CHKD M.H.LI 9/28/2018	SCALE SHEET
			DR: Y.Y.Chen 9/28/2018	25/1
				1/1
				REV. B

THESE DRAWINGS AND SPECIFICATIONS ARE THE PROPERTY OF HON YUAN PRECISION IND. CO., LTD. AND SHALL NOT BE REPRODUCED, COPIED OR USED IN ANY MANNER WITHOUT PERMISSION NO. 531, 131.