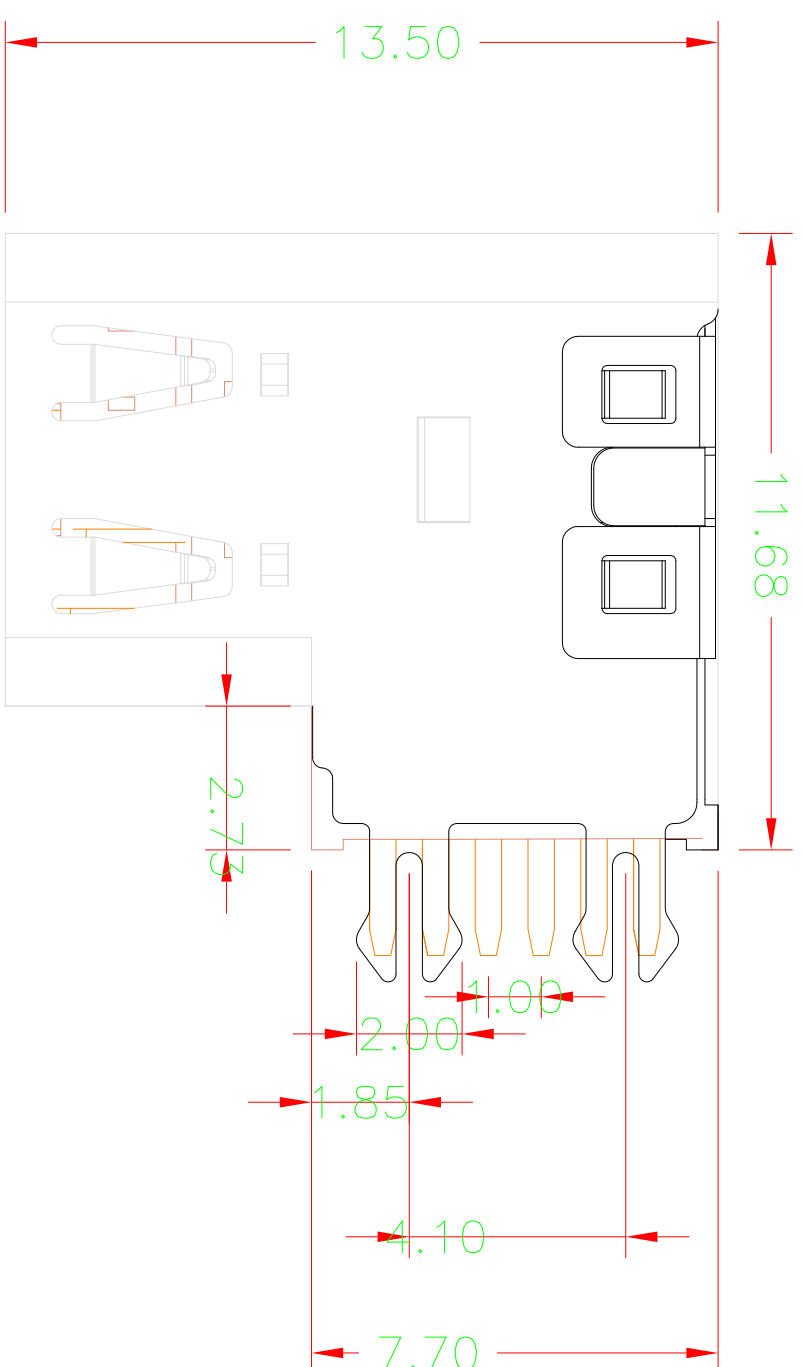
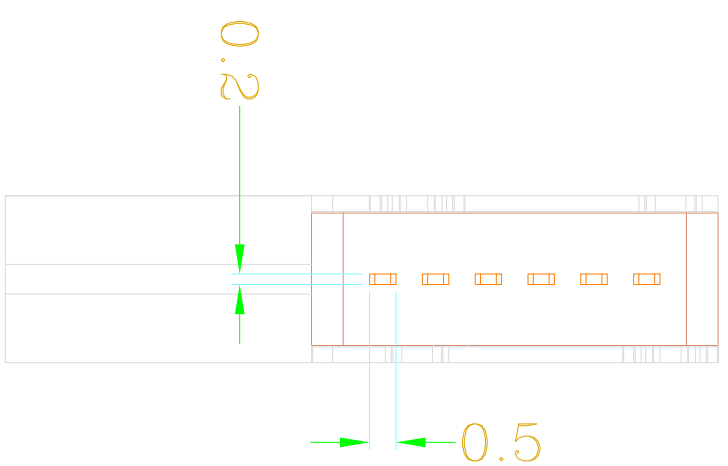
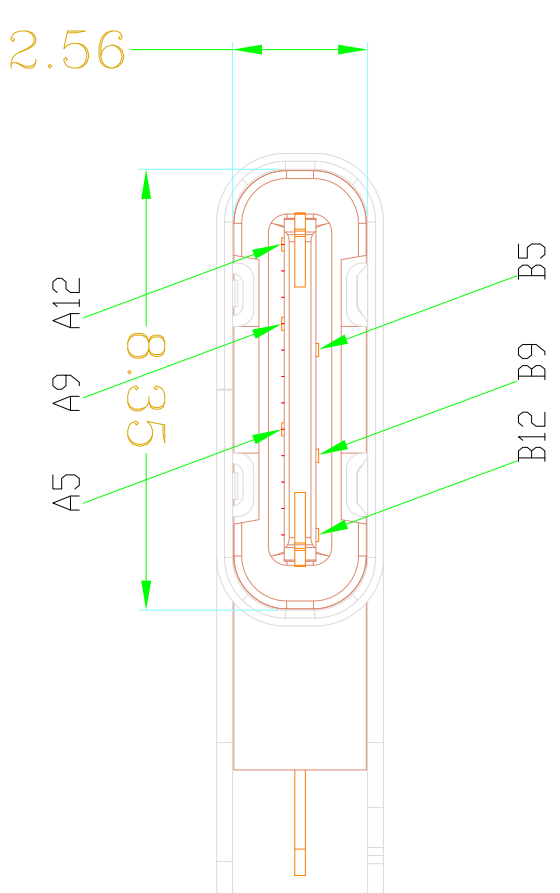
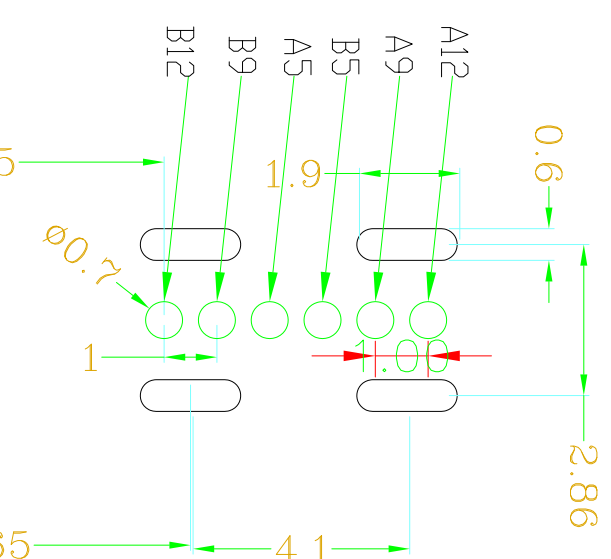


RoHS



- NOTES:  
SPECIFICATION:
1. CURRENT RATING: 3A MAX
  2. VOLTAGE: 100 VAC
  3. TEMPERATURE RANGE: -30 °C ~ 85 °C
  4. CONTACT RESISTANCE: 40 MILLIONHM MAX
  5. INSULATION RESISTANCE: 100 MEGOHMS MIN.
  6. INSERTION FORCE : 5N~20N
  7. UNMATING FORCE: 8N~20N
  8. DURABILITY: 10,000 CYCLES



A1	GND	B12	GND
A4	VBUS	B9	VBUS
A5	CC1	B7	DN2
A6	DP1	B6	DP2
A7	DN1	B5	CC2
A9	VBUS	B4	VBUS
A12	GND	B1	GND
PIN	SIGNAL NAME	PIN	SIGNAL NAME

6	SHELL	STAINLESS STEEL	NI Plated	1PCS
5	SHIELDING PLATE	STAINLESS STEEL	---	1PCS
4	MD	HIGH TEMPERATURE PLASTIC	BLACK	1PCS
3	CONTACT	COPPER ALLOY	Au/Ni Plated	1SET
2	CONTACT	COPPER ALLOY	Au/Ni Plated	1SET
1	HOUSING	HIGH TEMPERATURE PLASTIC	BLACK	1PCS
NO.	DESCRIPTION	MATERIAL	REMARKS	QTY

# 深圳市精拓金电子有限公司

## 产品图

PRODUCT CHART DWG

公差一览表  
TOLERANCE UNLESS OTHERWISE

X.	±0.35	X.	±5.°
X.	±0.20	X.	±2.°
XX	±0.10	XX	±1.°
XXX	±0.05	XXX	±0.5°

单位	MM	制图	许榕强	制图料号	
比例	1:1	审核	郭培富	产品名称	USB C F 侧插式加高-成品
日期	2016-09-09	核准	黄国荣	角法	

版本	A0
----	----