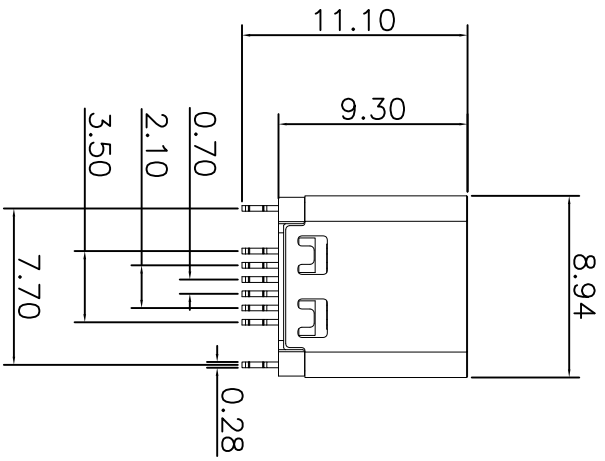
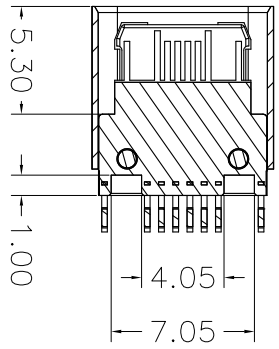
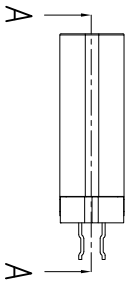
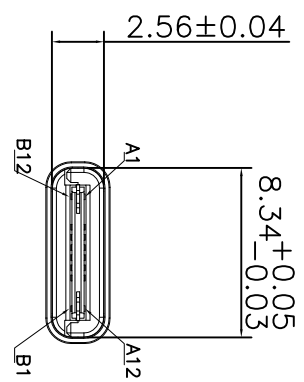
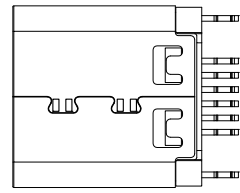


| | | |
|-----|--------------|------|
| REV | MODIFICATION | DATE |
| | | |

- NOTES:
 SPECIFICATION:
 1. CURRENT RATING: 5.0A MAX
 2. VOLTAGE: 100 VAC
 3. TEMPERATURE RANGE: -30 °C ~ 85 °C
 4. CONTACT RESISTANCE: 40 MILLIONHM MAX
 5. INSULATION RESISTANCE: 100 MEGOHMS MIN.
 6. INSERTION FORCE : 5N~20N
 7. UNMATING FORCE: 8N~20N
 8. DURABILITY: 10,000 CYCLES



| Pin | Signal Name | Pin | Signal Name |
|-----|-------------|-----|-------------|
| A1 | GND | B12 | GND |
| A2 | / | B11 | / |
| A3 | / | B10 | / |
| A4 | VBUS | B9 | VBUS |
| A5 | CC1 | B8 | SUB2 |
| A6 | Dp1 | B7 | Dp2 |
| A7 | Dn1 | B6 | Dp2 |
| A8 | SUB1 | B5 | CC2 |
| A9 | VBUS | B4 | VBUS |
| A10 | / | B3 | / |
| A11 | / | B2 | / |
| A12 | GND | B1 | GND |

产品图

深圳市精拓金电子有限公司

| | | | | | | | |
|----------------------------|-------|-------|------------|-----|------------------|------|----|
| 公差一览表 | | 单位 | | 制图 | | 制图料号 | |
| TOLERANCE UNLESS OTHERWISE | UNITS | MM | DRAWING | 许容强 | PRODUCT PART NO. | | |
| X ±0.25 | X | ±5° | 审核 | 郭志富 | 产品名称 | | |
| X ±0.20 | X | ±2° | CHKD | 黄国荣 | PRODUCT NO. | | |
| XX ±0.15 | XX | ±1° | 核准 | | 角法 | 版本 | |
| XXX ±0.10 | XXX | ±0.5° | APPD | | VIEW | REV | |
| | | DATE | 2018/06/20 | | | | AD |

1 2 3 4 5 6 7 8 9 10

G F E D C B A