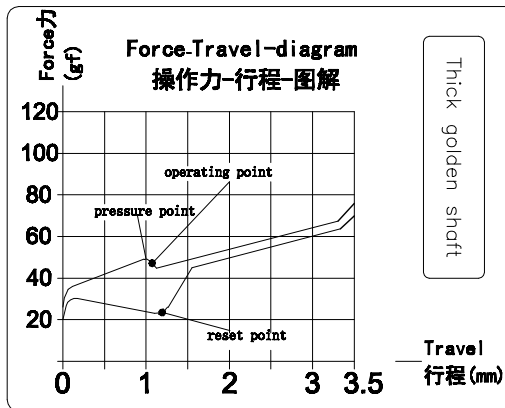
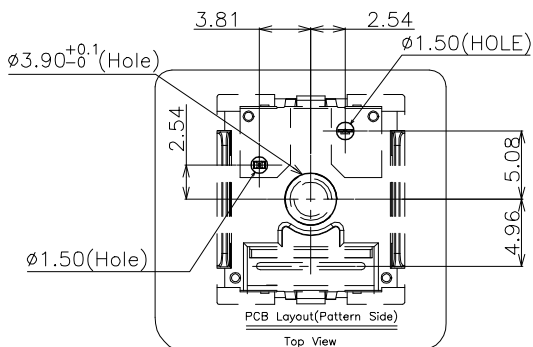
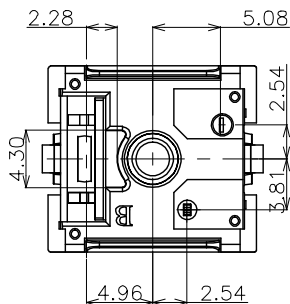
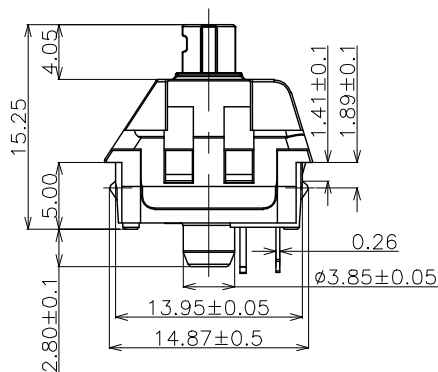
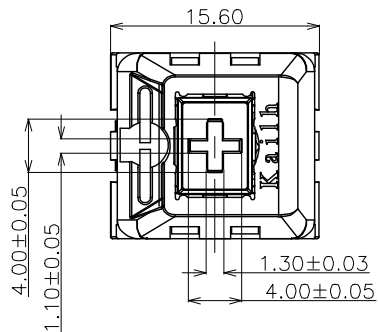


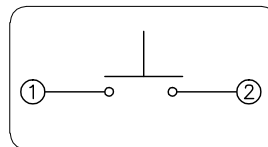
ABIDE BY ROHS

Thick golden shaft

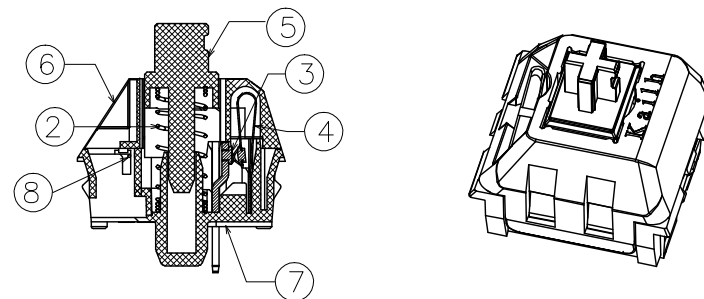
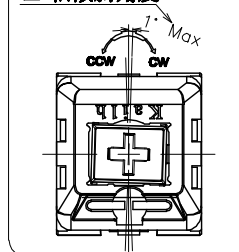


Thick golden shaft

SWITCH FUNCTION



轴倾斜角度



Specification :

- 1. Rating : 12V AC/DC max. 2V DC min. 10mA AC/DC max. 10µA DC min.
- 2. Contact Resistance : 100mΩ Max
- 3. Insulation Resistance : 100MΩ Min (DC500V)
- 4. Withstand Voltage : AC100V (50-60Hz) for 1 minute
- 5. Bounce Time : ≤5msec (at 16 in/sec. actuation speed)
- 6. Resilience Force ≥12gf
- 7. Operation Force : 50±10gf
- 8. Pre travel : 1.1±0.4mm
- 9. Total travel : 3.5±0.4mm
- 10. Operating Life : 70,000,000 Cycles (min).

<Feel is allowed to have difference before and after life test>

ITEM	PART NAME	TER'NO	QTY.	MATERIAL	FINISHING	REMARK
⑧	Spring	1	1	SUS 301	Nature	—
⑦	Base	1	1	PA66	White	—
⑥	contact	2	2	Composite gold	—	—
⑤	Spring	1	1	Stainless Steel	—	—
④	Cover	1	1	PC	Nature	—
③	Keystroke	1	1	POM	Coppery	—
②	static plate	1	1	Brass	Plating NI	—
①	movable plate	1	1	Copper Alloy	—	—

APPROVALS		DATE		DONGGUAN CITY KAIHUA ELECTRONICS CO.,LTD	
DRAWN	YIJINPING	2017.04.13		TITLE:	PG1511 Keystroke Switch(Thick golden shaft)
CHECKED				PART NO.	PG151101D214
APPROVALS				UNIT: mm	SCALE: 1:1
TOLERANCES ARE		30<L	±0.30	ANGLE	±2'
		10<L	±0.20	DRAWING NO.	KHA-PG1511-
		5<L	±0.15	SHEET 1 OF 1	
		L≤5	±0.10		

ECN NO.	REV.	DATE.	NEW DESCRIPTION.	CHANGE.	CHECK.	APPRO.
	A					