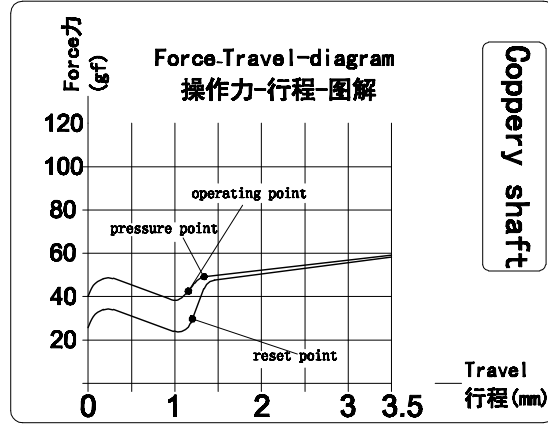
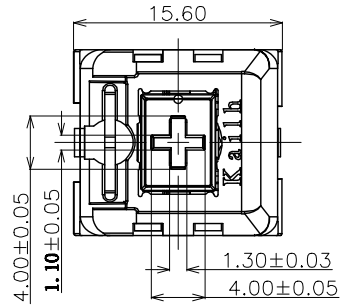
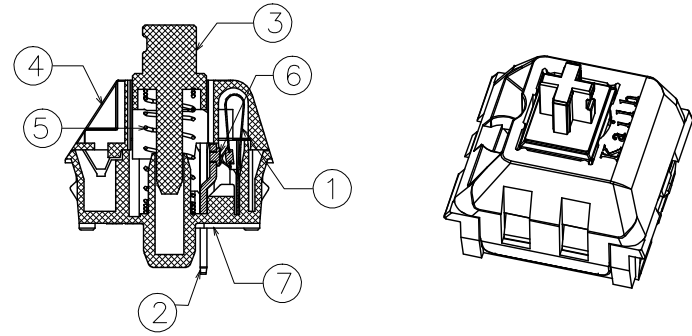


ABIDE BY ROHS

Coppery shaft



Coppery shaft

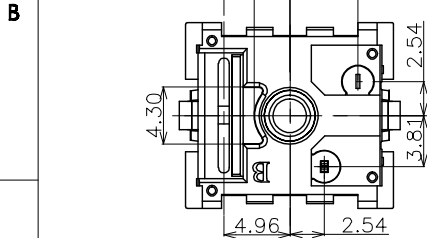
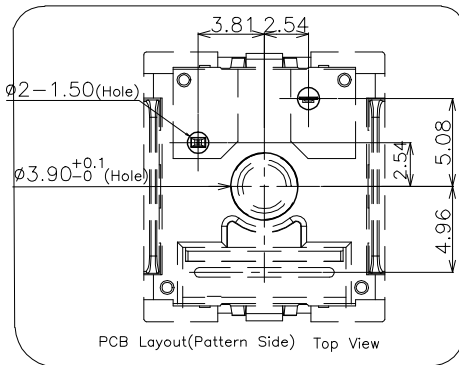
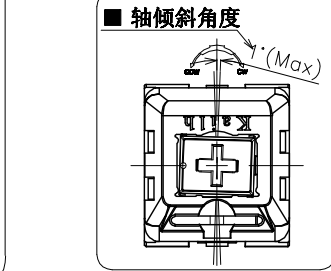
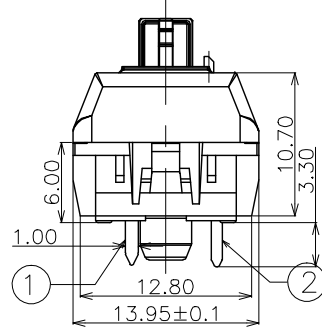
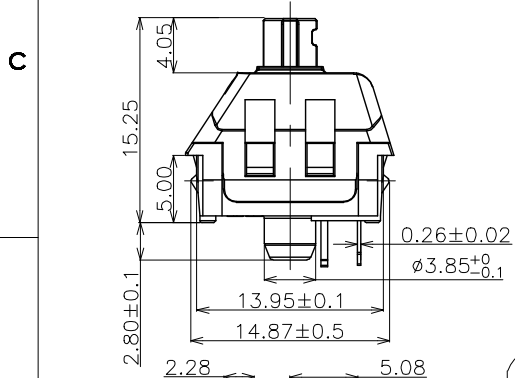
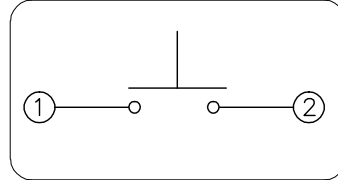


Specification :

- 1. Rating :12V AC/DC max. 2V DC min. 10mA AC/DC max. 10μA DC min.
- 2. Contact Resistance : 100mΩ Max
- 3. Insulation Resistance :100MΩ Min (DC500V)
- 4. Withstand Voltage :AC100V(50-60Hz) for 1 minute
- 5. Bounce Time:≤5msec (at 16 in/sec. actuation speed)
- 6. Resilience Force ≥12gf
- 7. Operation Force :40±10gf
- 8. Pre travel:1.1±0.4mm
- 9. Total travel:3.5±0.4mm
- 10. Operating Life :70,000,000 Cycles(min).

<Feel is allowed to have difference before and after life test>

SWITCH FUNCTION



⑦	Base	1	PA66	White	
⑥	contact	2	Composite gold		
⑤	Spring	1	Stainless Steel		
④	Cover	1	PC		
③	Keystroke	1	POM	Copper	
②	static plate	1	Brass	Plating NI	
①	movable plate	1	Copper Alloy		
ITEM	PART NAME	TER'NO,QTY.	MATERIAL	FINISHING	REMARK

APPROVALS		DATE	DONGGUAN CITY KAILIA ELECTRONICS CO.,LTD		
DRAWN	YI JIN PING	2017.04.13	Keilh		
CHECKED			TITLE:	PG1511 Keystroke Switch(Copper shaft)	
APPROVALS			PART NO.	CPG151101D213	
TOLERANCES ARE	30<L	±0.30	ANGLE	UNIT: mm	SCALE: 1:1
	10<L	±0.20			
	5<L	±0.15			
	L≤5	±0.10			
			±2'	DRAWING NO.	KHA-PG1511-
					SHEET 1 OF 1

ECN NO.	REV.	DATE.	NEW DESCRIPTION.	CHANGE.	CHECK.	APPRO.